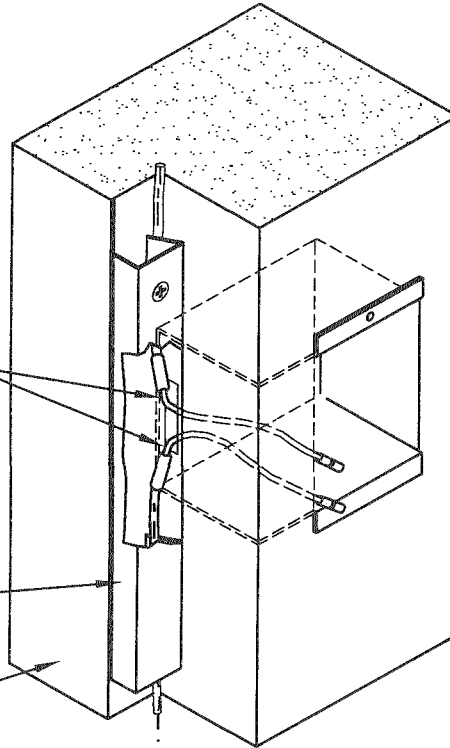


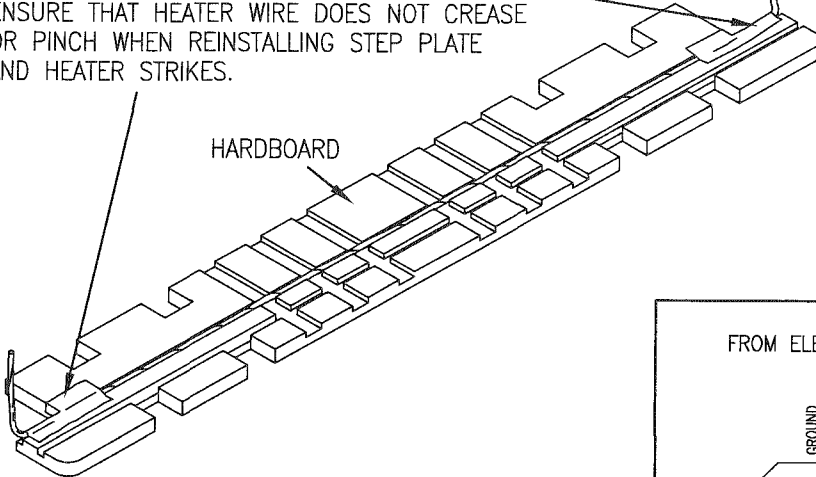
ONLY HEATER WIRE LEADS ARE TO ENTER INTO ELECTRICAL BOX. MAKE CERTAIN THAT HEATER WIRE DOES NOT OVERLAP ITSELF AT ENTRANCE SLOT.

HEATER STRIKE  
SECTION OF DOOR PANEL



PROTECT HEATER WIRE WITH ALUMINUM TAPE. ENSURE THAT HEATER WIRE DOES NOT CREASE OR PINCH WHEN REINSTALLING STEP PLATE AND HEATER STRIKES.

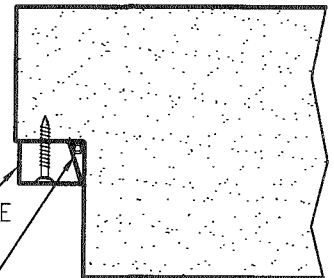
HARDBOARD



HEATER WIRE

INSIDE OF WALK-IN

HEATER STRIKE



HEATER WIRE:  
ENSURE THAT HEATER STRIKE  
DOES NOT CHAFE OR PINCH  
HEATER WIRE INSULATION.

HEATER WIRE & STRIKE  
SECTION VIEW

