



Installation Manual

Mortuary Cooler Systems

1. Installation Preparation	2
2. Panel Assembly	2
3. Attaching a Door without a Step Plate	3
4. Connecting the Door Heater	3
5. Attaching the Refrigeration Unit	3
6. Caulking the Cooler	4
7. Anchoring the Cooler to the Floor	4
8. Adding SaniTray Cross Members and Tray	4

Bally Refrigerated Boxes, Inc.

1-800-24 BALLY

www.mortuarycoolers.com

1. Installation Preparation

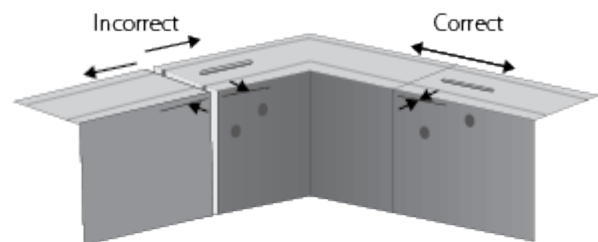
- A. When the building is delivered, make sure you have the right equipment and manpower on hand to unload the truck. A forklift or high jack can be helpful if the shipment includes heavy steel or refrigeration equipment. The carrier typically imposes time constraints on unloading your box, and in all situations one person is not enough.
- B. As you are unloading look for any freight damage; all products left our factory in perfect condition. Once the Bill of Landing was signed by the carrier, safe delivery became their responsibility and the equipment became your property. Check the packing list and make sure that all component parts are accounted for. Before signing the Bill of Landing, inspect all items. If any damage is noted or the number of pieces received does not agree with the invoice, do not accept shipment without notation by the carrier's agent on the Freight Bill. If damage or shortage is discovered when unpacking leave material and request an inspection by the carrier. Keep all documents and information so you can file you claim properly with the carrier. The Bill of Landing, Freight Bill, and the original invoice, are need to file a claim, and must be filed within the first six months from the date of shipment.
- C. Use extreme caution when unpacking to prevent damage to panels and other equipment. Pay close attention to hardware affixed to the door and door-frame. Do not lift the door by its

Hardware or the Light Base. Do not drop panels or slide over unfinished surfaces. Keep panels dry and out of direct sunlight. The protective plastic coating on the panels may be removed before or after the installation depending on the timing of construction schedules.

- D. The most important requirement for installation of this walk-in is to have a level floor. If the floor is level the process will be very smooth. Otherwise, it's impossible to make sure that the panels will align correctly and be plumb and level. Use a laser level or transit to identify the high spots on the floor. Whenever walk-ins are to be installed where concrete is curing or tile is being set, it is important to provide adequate ventilation. Concrete and tile grout release hydrogen while curing, which can damage the finish.

2. Panel Assembly

- A. After you have checked that the building floor is level, use a transient or builders level to find the highest point on the perimeter. Position the first 12 x 12 corner to be level with the high point. Begin at corner and align panels at the top.



Prior to engaging vertical to full locking position check metal to metal alignment at points indicated. This will assure you of a neat installation, and maintain all panels on a true horizontal plane.

- B. Next, erect the vertical panels called for by the panel view to the right and left of the corner panel. Make sure to align the tops of the panels. This will help to insure that the panels remain plumb and level. Lock these panels together and check to make sure the lock is engaged in the pin box properly. Be sure the proper metal finish is exposed where specified on the plan view.
- C. When enough vertical panels have been set to allow installation of the first ceiling panel, install the panel walls in an order that will allow a ceiling section to be installed before proceeding with more panel walls. The ceilings should be fastened to one another. When two or three ceiling panels are in place, lock the first ceiling end panel to the vertical panels to prevent shifting.
- D. To check for correct alignment measure the distance from the edge of the ceiling or floor to the nearest vertical joint. This should be 11.5 inches and maintained at every joint of the walk-in. Use an alternate locking sequence on the vertical panels to help keep plumb and square. Lock verticals to ceiling panels after aligning verticals to each other.

3. Attaching a Door without a Step Plate

- A. Remove the steel strap welded to the bottom of the frame. You will need to cut this off using a saw equipped with a blade to cut metal, such as a hack saw.

- B. Set the door in place, and shim as required to make the door section level with the top of the corner panel. Check for plumb and level. If the door does not hang straight, it is because it is not plumb.

4. Connecting the Door Heater

- A. At the front of the ceiling interior are three wires: green, black, and white. You will see a conduit box just below these wires attached to the back of the door panel.
- B. Connect the green wire to the green screw in the box, the white wire to the white wire, and the black wire to the black wire. The wire nuts are supplied.

5. Attaching the Refrigeration Unit

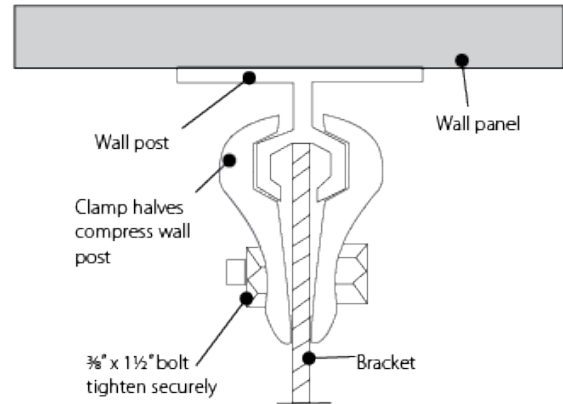
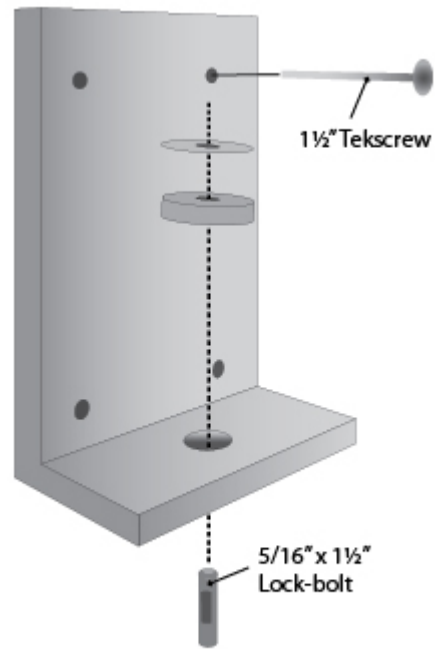
- A. Locate the hook up wires for the evaporator unit located in the pre installed evaporator fans and untape so these may be hooked up to the compressor unit.
- B. Set the compressor on the ceiling and position it over the pre installed evaporator fans, with the condensing unit to the back of the cooler. (The condensing unit is enclosed in a metal box.)
- C. Align with the pre drilled holes.
- D. Now, lift the front of the unit, and attach the two wires from the refrigeration unit to the two wires in the evaporator unit. Once connected, screw the unit into the ceiling in the pre drilled rivnuts. At the front of the unit is a plug for the heater coil. This plugs into the refrigeration unit.

6. Caulking the Cooler

- A. Before caulking the cooler, perform a spot check to make sure the cooler is square and plumb, and that all panels are securely locked in place. This is your last opportunity to add or remove shims.
- B. Using a silicone, waterproof, mildew-resistant caulking material seal the interior and exterior panels to the floor.
- C. It is also recommended that you caulk around the hole in the ceiling where the electric wires attach to the interior junction box. This will prevent moisture from condensing around the wires in the channel

7. Anchoring the Cooler to the Floor

- A. Three types of wall anchors have been provided to anchor the unit to the floor. These are marked WA-1, WA-2, and door anchors. The wall anchors (WA-1 and WA-2) will be attached to the interior of the unit, at the seams, and at the center of the 46" panel. The door anchors will be attached to the door frame.
- B. Begin by attaching the door frame anchors and bolt to the floor.
- C. Next attach the WA-2 anchors at the corner seams and bolt to the floor.
- D. Finally, attach the WA-1 anchors to the center side wall seam, and between the two seams of the 46" side panel. The adjacent drawing describes the location of the anchors.



8. Adding SaniTray Cross Members and Tray

- A. The SaniTray cross members are marked rear, middle, and front. These must be installed in the pre attached channels in this order.
- B. To install the crossmember, hold the unit with the ball bearings facing up and the open end of the channel facing the rear of the cooler.
- C. Tilt the unit up on the left side and ease the right side of the unit into the channel.

- D. Then, ease the left side into the channel and level the cross member. Adjust the height of the cross member to the appropriate position.
- E. Using the clamp halves sandwich one end around the cross member and the other around the wall post.
- F. Clamp the halves together using the body bolts supplied. The bottom figure illustrates the clamp half installation.
- G. Insert the SaniTray.