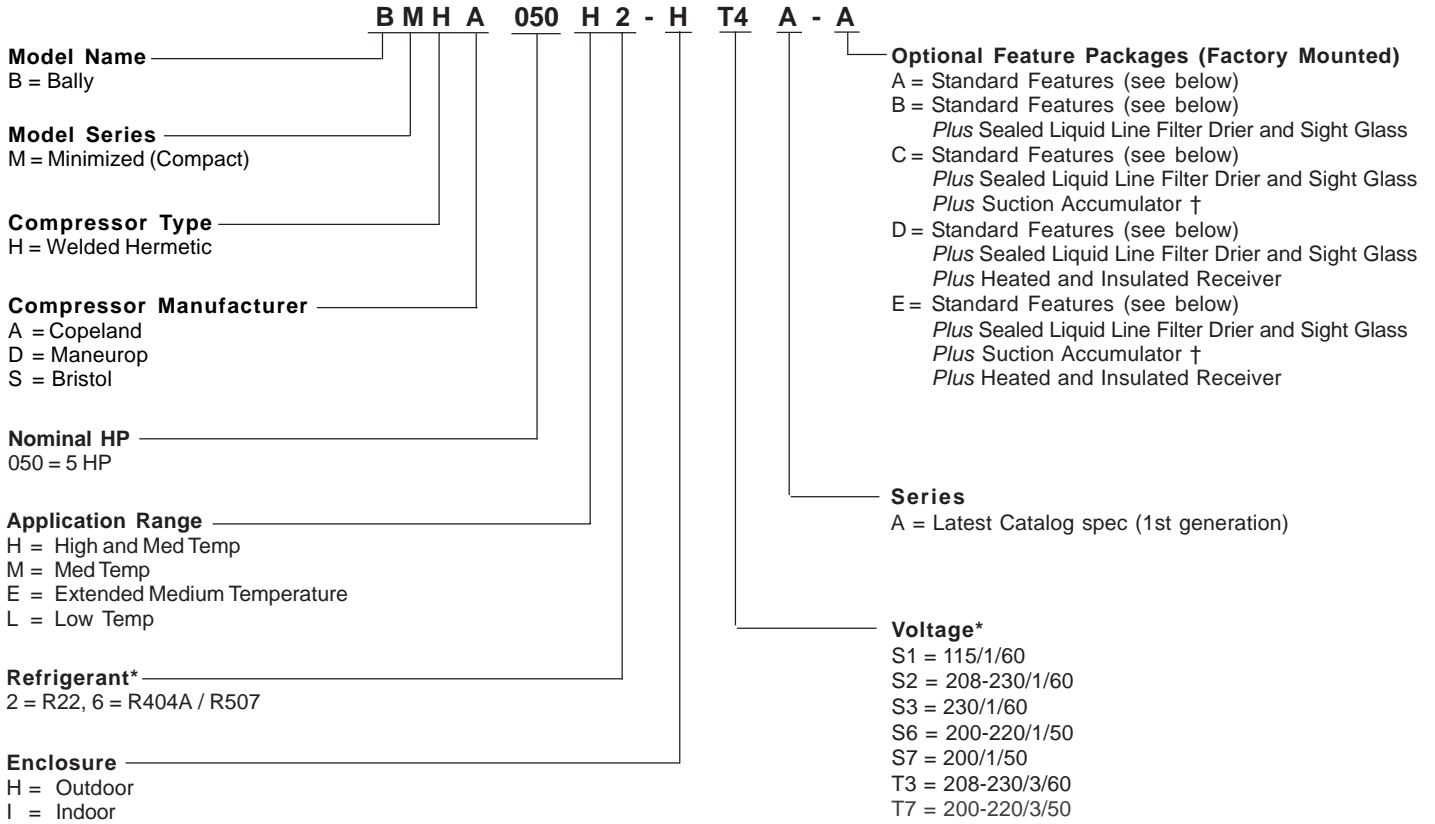




# NOMENCLATURE



\* Subject to compressor availability

† Suction Accumulator Option Available ONLY with 2HP and larger BMHA and BMHS

## STANDARD FEATURES

- Space saving, compact design
- Copeland (H/E/L), Bristol R22 (H) or Maneurop R404A/R507 (M/L) hermetic compressor
- High efficiency PSC fan motors
- Enhanced tube condenser coil
- Copper tubing secured with cushion clamps
- Outdoor weather resistant housing with removable hood (standard on outdoor models)
- Adjustable low (1 HP and below) or high/low pressure control (above 1 HP)
- Fan guard
- Receiver outlet valve
- Flooded Head Pressure Control (standard on outdoor models)
- Crankcase Heater (standard on outdoor models)

---

---

## OPTIONAL FEATURE (Field Mounted)

- Knockdown outdoor cabinet

CONDENSING UNIT MODEL	SATURATED SUCTION TEMPERATURE		AMBIENT TEMPERATURE °F (°C)									
	°F	°C	80 (26.6)	85 (29.4)	90 (32.2)	95 (35)	100 (37.8)	105 (40.6)	110 (43.3)			
BMHA005H2 Compressor Model ARE59C3	45 (7.2)		7190 (2107)	6950 (2037)	6720 (1970)	6490 (1902)	6270 (1838)	6060 (1776)	5870 (1720)			
	40 (4.4)		6610 (1937)	6390 (1873)	6160 (1805)	5940 (1741)	5740 (1682)	5530 (1621)	5350 (1568)			
	35 (1.7)		6050 (1773)	5840 (1712)	5620 (1647)	5420 (1589)	5220 (1530)	5030 (1474)	4840 (1419)			
	30 (-1.1)		5510 (1615)	5310 (1556)	5120 (1501)	4920 (1442)	4730 (1386)	4540 (1331)	4370 (1281)			
	25 (-3.9)		5000 (1465)	4810 (1410)	4620 (1354)	4440 (1301)	4260 (1249)	4090 (1199)	3920 (1149)			
	20 (-6.7)		4500 (1319)	4340 (1272)	4160 (1219)	4000 (1172)	3820 (1120)	3660 (1073)	3500 (1026)			
	15 (-9.4)		4040 (1184)	3880 (1137)	3730 (1093)	3570 (1046)	3420 (1002)	3250 (953)	3110 (911)			
	10 (-12.2)		3590† (1052)†	3460† (1014)†	3330† (976)†	3180† (932)†	3040† (891)†	2890† (847)†	2750† (806)†			
	5 (-15.0)		3190† (935)†	3080† (903)†	2960† (868)†	2820† (826)†	2690† (788)†	2550† (747)†	---	---		
0 (-17.8)		2810† (824)†	2720† (797)†	2620† (768)†	2490† (730)†	---	---	---	---			
BMHA008H2 Compressor Model RS47C2	45 (7.2)		10000 (2931)	9610 (2817)	9210 (2699)	8820 (2585)	8430 (2471)	8020 (2351)	7630 (2236)			
	40 (4.4)		9150 (2682)	8780 (2573)	8400 (2462)	8030 (2353)	7670 (2248)	7300 (2140)	6930 (2031)			
	35 (1.7)		8320 (2438)	7980 (2339)	7630 (2236)	7290 (2137)	6950 (2037)	6610 (1937)	6270 (1838)			
	30 (-1.1)		7540 (2210)	7220 (2116)	6900 (2022)	6590 (1931)	6270 (1838)	5950 (1744)	5630 (1650)			
	25 (-3.9)		6790 (1990)	6500 (1905)	6210 (1820)	5910 (1732)	5620 (1647)	5330 (1562)	5030 (1474)			
	20 (-6.7)		6080 (1782)	5810 (1703)	5540 (1624)	5260 (1542)	5000 (1465)	4730 (1386)	4450 (1304)			
	15 (-9.4)		5400 (1583)	5150 (1509)	4900 (1436)	4650 (1363)	4400 (1290)	4140 (1213)	3880 (1137)			
	10 (-12.2)		4750 (1392)	4520 (1325)	4280 (1254)	4060 (1190)	3820 (1120)	3580 (1049)	3350 (982)			
	5 (-15.0)		4120† (1208)†	3910† (1146)†	3700† (1084)†	3480† (1020)†	3270† (958)†	---	---	---		
0 (-17.8)		3520† (1032)†	3330† (976)†	3120† (914)†	2930† (859)†	---	---	---	---			
BMHA011H2 Compressor Model RS70C1	45 (7.2)		14600 (4279)	14000 (4103)	13400 (3927)	12800 (3751)	12300 (3605)	11800 (3458)	---	---		
	40 (4.4)		13400 (3927)	12800 (3751)	12200 (3576)	11700 (3429)	11200 (3283)	10700 (3136)	10280 (3013)			
	35 (1.7)		12200 (3576)	11600 (3400)	11100 (3253)	10600 (3107)	10100 (2960)	9620 (2819)	9210 (2699)			
	30 (-1.1)		11000 (3224)	10500 (3077)	10000 (2931)	9510 (2787)	9030 (2647)	8590 (2518)	8200 (2403)			
	25 (-3.9)		9940 (2913)	9460 (2773)	8970 (2629)	8500 (2491)	8040 (2356)	7610 (2230)	7220 (2116)			
	20 (-6.7)		8900 (2608)	8450 (2477)	7980 (2339)	7530 (2207)	7090 (2078)	6670 (1955)	6290 (1843)			
	15 (-9.4)		7900 (2315)	7480 (2192)	7030 (2060)	6600 (1934)	6180 (1811)	5780 (1694)	5410 (1586)			
	10 (-12.2)		6950† (2037)†	6550† (1920)†	6130† (1797)†	5720† (1676)†	5310† (1556)†	4920† (1442)†	4550† (1334)†			
	5 (-15.0)		6040† (1770)†	5650† (1656)†	5260† (1542)†	4870† (1427)†	4480† (1313)†	4100† (1202)†	---	---		
0 (-17.8)		5160† (1512)†	4810† (1410)†	4440† (1301)†	4060† (1190)†	---	---	---	---			
BMHA015H2 Compressor Model CR18KQ	45 (7.2)		20700 (6067)	19800 (5803)	18900 (5539)	18000 (5275)	17100 (5012)	16200 (4748)	---	---		
	40 (4.4)		18800 (5510)	18000 (5275)	17100 (5012)	16300 (4777)	15500 (4543)	14600 (4279)	13800 (4045)			
	35 (1.7)		17000 (4982)	16200 (4748)	15400 (4513)	14700 (4308)	13900 (4074)	13100 (3839)	12300 (3605)			
	30 (-1.1)		15300 (4484)	14500 (4250)	13800 (4045)	13100 (3839)	12300 (3605)	11600 (3400)	10800 (3165)			
	25 (-3.9)		13600 (3986)	12900 (3781)	12200 (3576)	11500 (3370)	10800 (3165)	10100 (2960)	9420 (2761)			
	20 (-6.7)		12000 (3517)	11400 (3341)	10700 (3136)	10100 (2960)	9410 (2758)	8760 (2567)	8100 (2374)			
	15 (-9.4)		10500 (3077)	9930 (2910)	9310 (2729)	8700 (2550)	8090 (2371)	7470 (2189)	6850 (2008)			
	10 (-12.2)		9150† (2682)†	8580† (2515)†	8000† (2345)†	7430† (2178)†	6850† (2008)†	6260† (1835)†	5690† (1668)†			
	5 (-15.0)		7870† (2307)†	7330† (2148)†	6800† (1993)†	6250† (1832)†	5720† (1676)†	5170† (1515)†	---	---		
0 (-17.8)		6710† (1967)†	6210† (1820)†	5720† (1676)†	5200† (1524)†	---	---	---	---			
BMHA020H2 Compressor Model CR24KQ	45 (7.2)		27300 (8001)	26200 (7679)	25200 (7386)	24100 (7063)	23000 (6741)	21900 (6419)	20700 (6067)			
	40 (4.4)		24900 (7298)	23900 (7005)	22900 (6712)	21900 (6419)	20800 (6096)	19800 (5803)	18700 (5481)			
	35 (1.7)		22600 (6624)	21700 (6360)	20700 (6067)	19800 (5803)	18800 (5510)	17800 (5217)	16800 (4924)			
	30 (-1.1)		20400 (5979)	19500 (5715)	18600 (5451)	17700 (5188)	16900 (4953)	15900 (4660)	15000 (4396)			
	25 (-3.9)		18300 (5363)	17500 (5129)	16700 (4894)	15800 (4631)	15000 (4396)	14200 (4162)	13300 (3898)			
	20 (-6.7)		16300 (4777)	15600 (4572)	14800 (4338)	14000 (4103)	13300 (3898)	12500 (3664)	11700 (3429)			
	15 (-9.4)		14400 (4220)	13700 (4015)	13100 (3839)	12400 (3634)	11600 (3400)	10900 (3195)	10200 (2989)			
	10 (-12.2)		12700 (3722)	12100 (3546)	11400 (3341)	10800 (3165)	10100 (2960)	9490 (2781)	8800 (2579)			
	5 (-15.0)		11100 (3253)	10500 (3077)	9940 (2913)	9360 (2743)	8780 (2573)	8170 (2394)	7540 (2210)			
0 (-17.8)		9580 (2808)	9080 (2661)	8580 (2515)	8060 (2362)	7540 (2210)	---	---	---			

--- Outside Operating Range † Max 40°F RGT

CONDENSING UNIT MODEL	SATURATED SUCTION TEMPERATURE		AMBIENT TEMPERATURE ° F ( ° C)													
	° F	° C	80	(26.6)	85	(29.4)	90	(32.2)	95	(35)	100	(37.8)	105	(40.6)	110	(43.3)
BMHA025H2 Compressor Model CR32KQ	45	(7.2)	35400	(10375)	34100	(9994)	32800	(9613)	31500	(9232)	30300	(8880)	29000	(8499)	27700	(8118)
	40	(4.4)	32400	(9496)	31200	(9144)	30000	(8792)	28800	(8441)	27600	(8089)	26400	(7737)	25200	(7386)
	35	(1.7)	29500	(8646)	28400	(8324)	27300	(8001)	26200	(7679)	25100	(7356)	24000	(7034)	22900	(6712)
	30	(-1.1)	26800	(7855)	25800	(7562)	24800	(7268)	23800	(6975)	22700	(6653)	21700	(6360)	20700	(6067)
	25	(-3.9)	24200	(7093)	23300	(6829)	22300	(6536)	21400	(6272)	20400	(5979)	19500	(5715)	18600	(5451)
	20	(-6.7)	21800	(6389)	20900	(6125)	20000	(5862)	19100	(5598)	18300	(5363)	17400	(5100)	16600	(4865)
	15	(-9.4)	19400	(5686)	18600	(5451)	17800	(5217)	17000	(4982)	16200	(4748)	15400	(4513)	14600	(4279)
	10	(-12.2)	17200	(5041)	16400	(4807)	15600	(4572)	14900	(4367)	14100	(4132)	13400	(3927)	12700	(3722)
	5	(-15.0)	15000	(4396)	14200	(4162)	13500	(3957)	12800	(3751)	12100	(3546)	11500	(3370)	---	---
0	(-17.8)	12800	(3751)	12100	(3546)	11400	(3341)	10800	(3165)	10100	(2960)	9520	(2790)	---	---	
BMHA031H2 Compressor Model CR37KQ	45	(7.2)	39600	(11606)	38100	(11166)	36600	(10727)	35200	(10317)	33700	(9877)	32300	(9467)	---	---
	40	(4.4)	36400	(10668)	35000	(10258)	33600	(9848)	32200	(9437)	30800	(9027)	29500	(8646)	28200	(8265)
	35	(1.7)	33300	(9760)	32000	(9379)	30700	(8998)	29400	(8617)	28100	(8236)	26800	(7855)	25600	(7503)
	30	(-1.1)	30300	(8880)	29100	(8529)	27800	(8148)	26600	(7796)	25400	(7444)	24200	(7093)	23000	(6741)
	25	(-3.9)	27400	(8030)	26200	(7679)	25100	(7356)	23900	(7005)	22700	(6653)	21600	(6331)	20500	(6008)
	20	(-6.7)	24600	(7210)	23500	(6887)	22400	(6565)	21300	(6243)	20200	(5920)	19100	(5598)	18100	(5305)
	15	(-9.4)	21900	(6419)	20900	(6125)	19800	(5803)	18800	(5510)	17800	(5217)	16800	(4924)	15800	(4631)
	10	(-12.2)	19300	(5657)	18400	(5393)	17400	(5100)	16400	(4807)	15500	(4543)	14500	(4250)	13600	(3986)
	5	(-15.0)	16900	(4953)	16000	(4689)	15100	(4426)	14100	(4132)	13200	(3869)	12300	(3605)	---	---
0	(-17.8)	14600	(4279)	13700	(4015)	12900	(3781)	12000	(3517)	---	---	---	---	---	---	
BMHA035H2 Compressor Model CR41KQ	45	(7.2)	43100	(12632)	41500	(12163)	39800	(11665)	38200	(11196)	36500	(10698)	34800	(10199)	---	---
	40	(4.4)	39700	(11635)	38200	(11196)	36600	(10727)	35100	(10287)	33600	(9848)	32000	(9379)	---	---
	35	(1.7)	36300	(10639)	34900	(10229)	33500	(9818)	32100	(9408)	30700	(8998)	29300	(8587)	27800	(8148)
	30	(-1.1)	33000	(9672)	31700	(9291)	30400	(8910)	29100	(8529)	27900	(8177)	26500	(7767)	25200	(7386)
	25	(-3.9)	29800	(8734)	28600	(8382)	27500	(8060)	26300	(7708)	25100	(7356)	23900	(7005)	22700	(6653)
	20	(-6.7)	26800	(7855)	25700	(7532)	24600	(7210)	23500	(6887)	22400	(6565)	21300	(6243)	20300	(5950)
	15	(-9.4)	23800	(6975)	22800	(6682)	21800	(6389)	20900	(6125)	19900	(5832)	18900	(5539)	17900	(5246)
	10	(-12.2)	21100†	(6184)†	20200†	(5920)†	19200†	(5627)†	18300†	(5363)†	17400†	(5100)†	16500†	(4836)†	15600†	(4572)†
	5	(-15.0)	18500†	(5422)†	17600†	(5158)†	16800†	(4924)†	15900†	(4660)†	15100†	(4426)†	---	---	---	---
0	(-17.8)	16100†	(4719)†	15300†	(4484)†	14500†	(4250)†	13700†	(4015)†	---	---	---	---	---	---	
BMHA040H2 Compressor Model CR53KQ	45	(7.2)	59100	(17321)	56900	(16676)	54700	(16032)	52500	(15387)	50200	(14713)	48000	(14068)	45800	(13423)
	40	(4.4)	54100	(15856)	52100	(15270)	50100	(14683)	48000	(14068)	46000	(13482)	43900	(12866)	41900	(12280)
	35	(1.7)	49300	(14449)	47500	(13921)	45600	(13365)	43700	(12808)	41900	(12280)	40000	(11723)	38100	(11166)
	30	(-1.1)	44700	(13101)	43000	(12603)	41300	(12104)	39600	(11606)	37800	(11079)	36100	(10580)	34400	(10082)
	25	(-3.9)	40200	(11782)	38700	(11342)	37100	(10873)	35500	(10404)	34000	(9965)	32400	(9496)	30800	(9027)
	20	(-6.7)	36000	(10551)	34600	(10141)	33100	(9701)	31700	(9291)	30300	(8880)	28800	(8441)	27400	(8030)
	15	(-9.4)	32000	(9379)	30700	(8998)	29300	(8587)	28000	(8206)	26700	(7825)	25400	(7444)	24100	(7063)
	10	(-12.2)	28200†	(8265)†	27000†	(7913)†	25800†	(7562)†	24500†	(7181)†	23300†	(6829)†	22100†	(6477)†	20900†	(6125)†
	5	(-15.0)	24700†	(7239)†	23600†	(6917)†	22400†	(6565)†	21300†	(6243)†	20200†	(5920)†	19000†	(5569)†	---	---
0	(-17.8)	21500†	(6301)†	20400†	(5979)†	19300†	(5657)†	18200†	(5334)†	---	---	---	---	---	---	
BMHA050H2 Compressor Model CRN5-0500	45	(7.2)	66700	(19549)	64400	(18875)	62000	(18171)	59800	(17526)	57500	(16852)	55200	(16178)	---	---
	40	(4.4)	61200	(17937)	59100	(17321)	57000	(16706)	54800	(16061)	52700	(15445)	50600	(14830)	---	---
	35	(1.7)	56000	(16413)	54000	(15826)	52100	(15270)	50100	(14683)	48100	(14097)	46200	(13540)	44200	(12954)
	30	(-1.1)	51000	(14947)	49200	(14420)	47400	(13892)	45600	(13365)	43700	(12808)	41900	(12280)	40000	(11723)
	25	(-3.9)	46200	(13540)	44600	(13072)	42900	(12573)	41200	(12075)	39400	(11547)	37700	(11049)	35900	(10522)
	20	(-6.7)	41700	(12222)	40100	(11753)	38500	(11284)	36900	(10815)	35300	(10346)	33600	(9848)	31900	(9349)
	15	(-9.4)	37300	(10932)	35800	(10492)	34300	(10053)	32800	(9613)	31200	(9144)	29600	(8675)	28000	(8206)
	10	(-12.2)	33000†	(9672)†	31600†	(9261)†	30200†	(8851)†	28700†	(8411)†	27300†	(8001)†	25700†	(7532)†	24100†	(7063)†
	5	(-15.0)	28900†	(8470)†	27600†	(8089)†	26200†	(7679)†	24800†	(7268)†	23300†	(6829)†	---	---	---	---
0	(-17.8)	24900†	(7298)†	23600†	(6917)†	22300†	(6536)†	20900†	(6125)†	---	---	---	---	---	---	

--- Outside Operating Range † Max 40°F RGT

**R404A - EXTENDED MEDIUM  
TEMPERATURE  
CAPACITY BTU/H (WATTS)**

CONDENSING UNIT MODEL	SATURATED SUCTION TEMPERATURE		AMBIENT TEMPERATURE ° F ( ° C)							
	° F	° C	80	85	90	95	100	105	110	
			(26.6)	(29.4)	(32.2)	(35.0)	(37.8)	(40.6)	(43.3)	
BMHA006E6 Compressor Model RS43C2E *	30	(-1.1)	7520	7090	6640	6220	5800	5380	4970	
	25	(-3.9)	6920	6510	6120	5730	5340	4950	4580	
	20	(-6.7)	6320	5950	5590	5230	4880	4530	4190	
	15	(-9.4)	5740	5400	5070	4750	4430	4110	3790	
	10	(-12.2)	5170	4860	4560	4270	3980	3690	3410	
	5	(-15.0)	4620	4350	4080	3810	3540	3280	3020	
	0	(-17.8)	4100	3850	3610	3370	3120	2880	2650	
	-5	(-20.6)	3511	3288	3065	2862	2638	2425	2212	
	-10	(-23.3)	3056	2871	2668	2464	2270	2066	1872	
	-15	(-26.1)	2658	2474	2299	2105	1930	1736	1552	
-20	(-28.9)	2289	2124	1959	1775	1610	1426	1251		
-25	(-31.7)	1969	1804	1649	1484	1319	1135	970		
BMHA008E6 Compressor Model RS55C2E *	30	(-1.1)	9140	8620	8100	7580	7080	6570	6080	
	25	(-3.9)	8390	7920	7440	6960	6500	6040	5580	
	20	(-6.7)	7670	7230	6800	6360	5930	5500	5090	
	15	(-9.4)	6970	6560	6160	5770	5370	4990	4590	
	10	(-12.2)	6290	5920	5550	5190	4830	4470	4120	
	5	(-15.0)	5630	5290	4960	4620	4300	3980	3660	
	0	(-17.8)	5020	4710	4400	4090	3790	3490	3200	
	-5	(-20.6)	4297	4016	3744	3473	3211	2939	2677	
	-10	(-23.3)	3754	3511	3259	3007	2755	2522	2280	
	-15	(-26.1)	3269	3036	2803	2580	2347	2115	1901	
-20	(-28.9)	2813	2609	2386	2173	1959	1736	1533		
-25	(-31.7)	2415	2221	2008	1795	1601	1397	1203		
BMHA009E6 Compressor Model RS64C2E *	30	(-1.1)	10640	10090	9550	8990	8440	7880	7310	
	25	(-3.9)	9800	9300	8790	8280	7770	7250	6740	
	20	(-6.7)	8980	8520	8050	7590	7120	6650	6180	
	15	(-9.4)	8190	7770	7340	6920	6490	6060	5620	
	10	(-12.2)	7440	7050	6650	6270	5880	5490	5100	
	5	(-15.0)	6710	6360	5990	5640	5280	4930	4570	
	0	(-17.8)	6000	5690	5360	5040	4720	4400	4070	
	-5	(-20.6)	5180	4889	4608	4317	4035	3754	3473	
	-10	(-23.3)	4559	4297	4026	3773	3521	3259	3007	
	-15	(-26.1)	3967	3715	3473	3250	3007	2774	2561	
-20	(-28.9)	3395	3172	2949	2735	2522	2309	2105		
-25	(-31.7)	2862	2648	2435	2241	2047	1853	1668		
BMHA010E6 Compressor Model RS70C1E *	30	(-1.1)	11900	11200	10600	9900	9230	8550	7880	
	25	(-3.9)	10900	10300	9650	9050	8450	7840	7220	
	20	(-6.7)	9870	9330	8800	8250	7700	7160	6590	
	15	(-9.4)	8930	8460	7970	7500	7000	6510	6000	
	10	(-12.2)	8040	7620	7200	6780	6330	5890	5430	
	5	(-15.0)	7210	6840	6460	6080	5690	5280	4860	
	0	(-17.8)	6410	6090	5750	5410	5060	4690	4300	
	-5	(-20.6)	5471	5199	4908	4608	4287	3958	3608	
	-10	(-23.3)	4743	4501	4239	3958	3667	3356	3017	
	-15	(-26.1)	4035	3802	3570	3308	3026	2726	2406	
-20	(-28.9)	3327	3104	2881	2629	2357	2056	1736		
-25	(-31.7)	2619	2396	2173	1921	1639	1348	1019		

--- Outside Operating Range † Max 40°F RGT \* Not suitable for use with R-507

## R404A - EXTENDED MEDIUM TEMPERATURE CAPACITY BTU/H (WATTS)

CONDENSING UNIT MODEL	SATURATED SUCTION TEMPERATURE		AMBIENT TEMPERATURE ° F (° C)									
	° F	° C	80 (26.6)	85 (29.4)	90 (32.2)	95 (35.0)	100 (37.8)	105 (40.6)	110 (43.3)			
BMHA016E6 Compressor Model CS10K6E	30 (-1.1)	17500 (5129)	16400 (4807)	15400 (4513)	14400 (4220)	13400 (3927)	12400 (3634)	11400 (3341)				
	25 (-3.9)	16000 (4689)	15100 (4426)	14100 (4132)	13200 (3869)	12200 (3576)	11300 (3312)	10400 (3048)				
	20 (-6.7)	14600 (4279)	13700 (4015)	12900 (3781)	12000 (3517)	11100 (3253)	10200 (2989)	9390 (2752)				
	15 (-9.4)	13200 (3869)	12400 (3634)	11600 (3400)	10800 (3165)	9970 (2922)	9180 (2691)	8380 (2456)				
	10 (-12.2)	11800 (3458)	11100 (3253)	10300 (3019)	9570 (2805)	8840 (2591)	8110 (2377)	7370 (2160)				
	5 (-15.0)	10400 (3048)	9750 (2858)	9060 (2655)	8390 (2459)	7710 (2260)	7050 (2066)	6380 (1870)				
	0 (-17.8)	9110 (2670)	8480 (2485)	7860 (2304)	7240 (2122)	6630 (1943)	6020 (1764)	5410 (1586)				
	-5 (-20.6)	7595 (2226)	7052 (2067)	6509 (1908)	5966 (1748)	5422 (1589)	4879 (1430)	4336 (1271)				
	-10 (-23.3)	6431 (1885)	5946 (1743)	5451 (1598)	4957 (1453)	4462 (1308)	3977 (1166)	3482 (1020)				
	-15 (-26.1)	5354 (1569)	4918 (1441)	4472 (1310)	4035 (1182)	3589 (1051)	3133 (919)	2687 (788)				
	-20 (-28.9)	4384 (1285)	3996 (1172)	3599 (1054)	3201 (938)	2794 (819)	2386 (699)	1979 (580)				
-25 (-31.7)	3550 (1041)	3201 (938)	2842 (833)	2474 (725)	2105 (617)	1736 (509)	1358 (398)					
BMHA021E6 Compressor Model CS12K6E	30 (-1.1)	22600 (6624)	21400 (6272)	20100 (5891)	18900 (5539)	17700 (5188)	16500 (4836)	15300 (4484)				
	25 (-3.9)	20400 (5979)	19300 (5657)	18200 (5334)	17100 (5012)	15900 (4660)	14800 (4338)	13700 (4015)				
	20 (-6.7)	18400 (5393)	17400 (5100)	16300 (4777)	15300 (4484)	14200 (4162)	13200 (3869)	12200 (3576)				
	15 (-9.4)	16500 (4836)	15500 (4543)	14600 (4279)	13600 (3986)	12700 (3722)	11700 (3429)	10800 (3165)				
	10 (-12.2)	14700 (4308)	13800 (4045)	12900 (3781)	12000 (3517)	11200 (3283)	10300 (3019)	9420 (2761)				
	5 (-15.0)	13000 (3810)	12200 (3576)	11400 (3341)	10500 (3077)	9730 (2852)	8950 (2623)	8160 (2392)				
	0 (-17.8)	11400 (3341)	10600 (3107)	9870 (2893)	9130 (2676)	8390 (2459)	7680 (2251)	6970 (2043)				
	-5 (-20.6)	9584 (2809)	8885 (2604)	8216 (2408)	7556 (2215)	6916 (2027)	6286 (1842)	5665 (1661)				
	-10 (-23.3)	8187 (2400)	7537 (2209)	6916 (2027)	6315 (1851)	5733 (1680)	5170 (1515)	4617 (1353)				
	-15 (-26.1)	6858 (2010)	6257 (1833)	5684 (1665)	5122 (1501)	4608 (1350)	4093 (1200)	3608 (1057)				
	-20 (-28.9)	5578 (1634)	5025 (1472)	4481 (1313)	3987 (1169)	3511 (1029)	3046 (892)	2619 (767)				
-25 (-31.7)	4355 (1277)	3822 (1120)	3337 (978)	2881 (844)	2435 (714)	2027 (595)	1649 (483)					
BMHA025E6 Compressor Model CS14K6E	30 (-1.1)	25900 (7591)	24500 (7181)	23100 (6770)	21700 (6360)	20300 (5950)	18900 (5539)	17400 (5100)				
	25 (-3.9)	23800 (6975)	22500 (6594)	21200 (6213)	19900 (5832)	18600 (5451)	17300 (5070)	16000 (4689)				
	20 (-6.7)	21700 (6360)	20500 (6008)	19300 (5657)	18100 (5305)	17000 (4982)	15800 (4631)	14600 (4279)				
	15 (-9.4)	19600 (5744)	18500 (5422)	17400 (5100)	16400 (4807)	15300 (4484)	14200 (4162)	13200 (3869)				
	10 (-12.2)	17600 (5158)	16600 (4865)	15600 (4572)	14600 (4279)	13700 (4015)	12700 (3722)	11700 (3429)				
	5 (-15.0)	15600 (4572)	14700 (4308)	13800 (4045)	13000 (3810)	12100 (3546)	11200 (3283)	10300 (3019)				
	0 (-17.8)	13700 (4015)	12900 (3781)	12100 (3546)	11300 (3312)	10600 (3107)	9760 (2860)	8980 (2632)				
	-5 (-20.6)	11543 (3383)	10864 (3185)	10185 (2985)	9496 (2783)	8808 (2581)	8129 (2382)	7450 (2183)				
	-10 (-23.3)	9894 (2899)	9312 (2730)	8691 (2547)	8080 (2368)	7469 (2189)	6877 (2016)	6276 (1839)				
	-15 (-26.1)	8429 (2471)	7886 (2312)	7333 (2150)	6780 (1988)	6247 (1830)	5704 (1671)	5180 (1518)				
	-20 (-28.9)	7081 (2076)	6586 (1930)	6092 (1786)	5616 (1646)	5131 (1504)	4656 (1365)	4190 (1228)				
-25 (-31.7)	5907 (1731)	5461 (1601)	5025 (1472)	4588 (1344)	4171 (1222)	3735 (1094)	3317 (972)					
BMHA031E6 Compressor Model CS18K6E	30 (-1.1)	31600 (9261)	29800 (8734)	28000 (8206)	26200 (7679)	24500 (7181)	22700 (6653)	20900 (6125)				
	25 (-3.9)	29200 (8558)	27500 (8060)	25800 (7562)	24200 (7093)	22500 (6594)	20900 (6125)	19200 (5627)				
	20 (-6.7)	26700 (7825)	25200 (7386)	23600 (6917)	22100 (6477)	20500 (6008)	19000 (5569)	17500 (5129)				
	15 (-9.4)	24200 (7093)	22800 (6682)	21300 (6243)	19900 (5832)	18500 (5422)	17100 (5012)	15700 (4601)				
	10 (-12.2)	21700 (6360)	20400 (5979)	19100 (5598)	17700 (5188)	16400 (4807)	15200 (4455)	13900 (4074)				
	5 (-15.0)	19200 (5627)	18000 (5275)	16800 (4924)	15600 (4572)	14400 (4220)	13300 (3898)	12100 (3546)				
	0 (-17.8)	16800 (4924)	15700 (4601)	14600 (4279)	13600 (3986)	12500 (3664)	11500 (3370)	10400 (3048)				
	-5 (-20.6)	14065 (4123)	13192 (3866)	12222 (3582)	11252 (3298)	10379 (3042)	9419 (2761)	8555 (2507)				
	-10 (-23.3)	12028 (3525)	11155 (3269)	10282 (3014)	9477 (2777)	8662 (2538)	7876 (2309)	7110 (2084)				
	-15 (-26.1)	10088 (2957)	9361 (2743)	8623 (2528)	7886 (2312)	7178 (2104)	6499 (1905)	5849 (1714)				
	-20 (-28.9)	8429 (2471)	7779 (2280)	7130 (2089)	6509 (1908)	5898 (1729)	5325 (1561)	4792 (1405)				
-25 (-31.7)	7013 (2055)	6460 (1893)	5917 (1734)	5384 (1578)	4889 (1433)	4414 (1294)	4006 (1174)					

--- Outside Operating Range † Max 40°F RGT

**R404A - EXTENDED MEDIUM  
TEMPERATURE  
CAPACITY BTU/H (WATTS)**

CONDENSING UNIT MODEL	SATURATED SUCTION TEMPERATURE		AMBIENT TEMPERATURE ° F ( ° C)							
	° F	° C	80 (26.6)	85 (29.4)	90 (32.2)	95 (35.0)	100 (37.8)	105 (40.6)	110 (43.3)	
BMHA035E6 Compressor Model CS20K6E *	30	(-1.1)	35500 (10404)	33400 (9789)	31300 (9174)	29300 (8587)	27400 (8030)	25400 (7444)	23500 (6887)	
	25	(-3.9)	32100 (9408)	30200 (8851)	28300 (8294)	26400 (7737)	24600 (7210)	22800 (6682)	21000 (6155)	
	20	(-6.7)	29000 (8499)	27200 (7972)	25400 (7444)	23700 (6946)	22000 (6448)	20300 (5950)	18700 (5481)	
	15	(-9.4)	26000 (7620)	24400 (7151)	22800 (6682)	21200 (6213)	19600 (5744)	18100 (5305)	16600 (4865)	
	10	(-12.2)	23400 (6858)	21800 (6389)	20300 (5950)	18900 (5539)	17400 (5100)	16000 (4689)	14600 (4279)	
	5	(-15.0)	20800 (6096)	19500 (5715)	18100 (5305)	16700 (4894)	15400 (4513)	14100 (4132)	12900 (3781)	
	0	(-17.8)	18500 (5422)	17200 (5041)	16000 (4689)	14800 (4338)	13600 (3986)	12400 (3634)	11200 (3283)	
	-5	(-20.6)	15811 (4634)	14744 (4321)	13580 (3980)	12513 (3668)	11446 (3354)	10379 (3042)	9312 (2730)	
	-10	(-23.3)	13774 (4037)	12804 (3753)	11737 (3440)	10767 (3155)	9797 (2871)	8788 (2575)	7809 (2288)	
	-15	(-26.1)	11834 (3469)	10961 (3213)	9991 (2928)	9079 (2661)	8148 (2388)	7236 (2120)	6324 (1854)	
	-20	(-28.9)	9991 (2928)	9099 (2667)	8245 (2416)	7382 (2163)	6518 (1911)	5645 (1655)	4782 (1402)	
-25	(-31.7)	8032 (2354)	7256 (2126)	6451 (1891)	5636 (1652)	4811 (1410)	3987 (1169)	3153 (924)		
BMHA040E6 Compressor Model CS27K6E *	30	(-1.1)	48200 (14100)	45800 (13400)	43300 (12700)	40900 (12000)	38500 (11300)	36100 (10600)	33700 (9900)	
	25	(-3.9)	43800 (12800)	41600 (12200)	39400 (11500)	37200 (10900)	34900 (10200)	32700 (9600)	30500 (8900)	
	20	(-6.7)	39600 (11600)	37600 (11000)	35500 (10400)	33500 (9800)	31500 (9200)	29500 (8600)	27500 (8100)	
	15	(-9.4)	35600 (10400)	33700 (9900)	31900 (9300)	30000 (8800)	28200 (8300)	26400 (7700)	24500 (7200)	
	10	(-12.2)	31700 (9290)	30000 (8790)	28400 (8320)	26700 (7830)	25100 (7360)	23400 (6860)	21800 (6390)	
	5	(-15.0)	28000 (8210)	26500 (7770)	25000 (7330)	23600 (6920)	22100 (6480)	20600 (6040)	19200 (5630)	
	0	(-17.8)	24600 (7210)	23200 (6800)	21900 (6420)	20600 (6040)	19300 (5660)	18100 (5310)	16700 (4890)	
	-5	(-20.6)	20700 (6070)	19600 (5740)	18500 (5420)	17400 (5100)	16300 (4780)	15200 (4460)	14100 (4130)	
	-10	(-23.3)	17800 (5220)	16800 (4920)	15900 (4660)	14900 (4370)	14000 (4100)	13100 (3840)	12100 (3550)	
	-15	(-26.1)	15100 (4430)	14300 (4190)	13500 (3960)	12700 (3720)	12000 (3520)	11200 (3280)	10400 (3050)	
	-20	(-28.9)	12700 (3720)	12000 (3520)	11400 (3340)	10800 (3170)	10100 (2960)	9500 (2780)	8800 (2580)	
-25	(-31.7)	10500 (3080)	10000 (2930)	9500 (2780)	9000 (2640)	8600 (2520)	8100 (2370)	7500 (2200)		
BMHA050E6 Compressor Model CS33K6E *	30	(-1.1)	51600 (15100)	49000 (14400)	46400 (13600)	43800 (12800)	41300 (12100)	38800 (11400)	36300 (10600)	
	25	(-3.9)	47500 (13900)	45100 (13200)	42800 (12500)	40400 (11800)	38100 (11200)	35800 (10500)	33500 (9820)	
	20	(-6.7)	43400 (12700)	41300 (12100)	39100 (11500)	37000 (10800)	34800 (10200)	32700 (9580)	30600 (8970)	
	15	(-9.4)	39400 (11500)	37500 (11000)	35500 (10400)	33600 (9800)	31600 (9260)	29700 (8710)	27800 (8150)	
	10	(-12.2)	35500 (10410)	33700 (9880)	32000 (9380)	30200 (8850)	28400 (8320)	26700 (7830)	25000 (7330)	
	5	(-15.0)	31700 (9290)	30100 (8820)	28500 (8350)	26900 (7880)	25300 (7420)	23800 (6980)	22200 (6510)	
	0	(-17.8)	28000 (8210)	26600 (7800)	25200 (7390)	23800 (6980)	22400 (6570)	21000 (6160)	19500 (5720)	
	-5	(-20.6)	23800 (6980)	22600 (6620)	21400 (6270)	20200 (5920)	19000 (5570)	17800 (5220)	16500 (4840)	
	-10	(-23.3)	20700 (6070)	19700 (5770)	18600 (5450)	17500 (5130)	16400 (4810)	15300 (4480)	14200 (4160)	
	-15	(-26.1)	17900 (5250)	17000 (4980)	16100 (4720)	15100 (4430)	14100 (4130)	13100 (3840)	12100 (3550)	
	-20	(-28.9)	15500 (4540)	14700 (4310)	13800 (4040)	13000 (3810)	12100 (3550)	11200 (3280)	10300 (3020)	
-25	(-31.7)	13400 (3930)	12700 (3720)	12000 (3520)	11200 (3280)	10400 (3050)	9590 (2810)	8770 (2570)		

--- Outside Operating Range † Max 40°F RGT \* Not suitable for use with R-507

CONDENSING UNIT MODEL	SATURATED SUCTION TEMPERATURE		AMBIENT TEMPERATURE ° F ( ° C)													
	° F	° C	80	(26.6)	85	(29.4)	90	(32.2)	95	(35)	100	(37.8)	105	(40.6)	110	(43.3)
BMHA006L6 Compressor Model AFT22C1E *	15	(-9.4)	5700	(1671)	5310	(1556)	4960	(1454)	4650	(1363)	4370	(1281)	4130	(1210)	3920	(1149)
	10	(-12.2)	5060	(1483)	4720	(1383)	4410	(1292)	4130	(1210)	3880	(1137)	3670	(1076)	3480	(1020)
	5	(-15.0)	4490	(1316)	4190	(1228)	3920	(1149)	3680	(1079)	3450	(1011)	3270	(958)	3100	(909)
	0	(-17.8)	3970	(1164)	3720	(1090)	3480	(1020)	3270	(958)	3070	(900)	2900	(850)	2750	(806)
	-5	(-20.6)	3500	(1026)	3290	(964)	3080	(903)	2900	(850)	2730	(800)	2580	(756)	2440	(715)
	-10	(-23.3)	3080	(903)	2890	(847)	2730	(800)	2580	(756)	2420	(709)	2280	(668)	2150	(630)
	-15	(-26.1)	2700	(791)	2550	(747)	2410	(706)	2270	(665)	2130	(624)	2000	(586)	1870	(548)
	-20	(-28.9)	2350	(689)	2240	(657)	2110	(618)	1990	(583)	1860	(545)	1730	(507)	1600	(469)
	-25	(-31.7)	2030	(595)	1930	(566)	1820	(533)	1710	(501)	1590	(466)	1450	(425)	1310	(384)
BMHA008L6 Compressor Model AFT26C1E *	15	(-9.4)	6820	(1999)	6480	(1899)	6140	(1800)	5800	(1700)	5470	(1603)	5160	(1512)	4870	(1427)
	10	(-12.2)	6110	(1791)	5800	(1700)	5500	(1612)	5190	(1521)	4890	(1433)	4610	(1351)	4350	(1275)
	5	(-15.0)	5420	(1589)	5150	(1509)	4900	(1436)	4620	(1354)	4350	(1275)	4100	(1202)	3870	(1134)
	0	(-17.8)	4790	(1404)	4560	(1336)	4340	(1272)	4100	(1202)	3860	(1131)	3640	(1067)	3430	(1005)
	-5	(-20.6)	4190	(1228)	4020	(1178)	3820	(1120)	3620	(1061)	3410	(999)	3210	(941)	3020	(885)
	-10	(-23.3)	3660	(1073)	3510	(1029)	3350	(982)	3170	(929)	3000	(879)	2820	(826)	2650	(777)
	-15	(-26.1)	3160	(926)	3060	(897)	2930	(859)	2780	(815)	2620	(768)	2460	(721)	2310	(677)
	-20	(-28.9)	2720	(797)	2650	(777)	2540	(744)	2420	(709)	2290	(671)	2140	(627)	2000	(586)
	-25	(-31.7)	2330	(683)	2280	(668)	2200	(645)	2100	(615)	1980	(580)	1850	(542)	1720	(504)
BMHA010L6 Compressor Model CF04K6E *	10	(-12.2)	9580	(2808)	8920	(2614)	8250	(2418)	7590	(2225)	6930	(2031)	6280	(1841)	5640	(1653)
	5	(-15.0)	8530	(2500)	7920	(2321)	7310	(2142)	6710	(1967)	6110	(1791)	5510	(1615)	4930	(1445)
	0	(-17.8)	7560	(2216)	7010	(2055)	6460	(1893)	5910	(1732)	5370	(1574)	4820	(1413)	4280	(1254)
	-5	(-20.6)	6680	(1958)	6180	(1811)	5690	(1668)	5180	(1518)	4690	(1375)	4200	(1231)	3720	(1090)
	-10	(-23.3)	5870	(1720)	5420	(1589)	4970	(1457)	4520	(1325)	4070	(1193)	3640	(1067)	3200	(938)
	-15	(-26.1)	5110	(1498)	4710	(1380)	4310	(1263)	3900	(1143)	3500	(1026)	3110	(911)	2740	(803)
	-20	(-28.9)	4390	(1287)	4040	(1184)	3680	(1079)	3320	(973)	2960	(868)	2620	(768)	2290	(671)
	-25	(-31.7)	3690	(1081)	3370	(988)	3050	(894)	2730	(800)	2420	(709)	2120	(621)	1830	(536)
	-30	(-34.4)	2990	(876)	2700	(791)	2420	(709)	2130	(624)	1850	(542)	1600	(469)	1350	(396)
BMHA020L6 Compressor Model CF06K6E *	10	(-12.2)	14900	(4367)	14100	(4132)	13200	(3869)	12400	(3634)	11600	(3400)	10700	(3136)	9900	(2902)
	5	(-15.0)	13600	(3986)	12800	(3751)	12100	(3546)	11300	(3312)	10500	(3077)	9800	(2872)	8990	(2635)
	0	(-17.8)	12300	(3605)	11600	(3400)	10900	(3195)	10200	(2989)	9500	(2784)	8770	(2570)	8050	(2359)
	-5	(-20.6)	11000	(3224)	10400	(3048)	9700	(2843)	9100	(2667)	8420	(2468)	7770	(2277)	7130	(2090)
	-10	(-23.3)	9700	(2843)	9100	(2667)	8530	(2500)	7940	(2327)	7350	(2154)	6780	(1987)	6200	(1817)
	-15	(-26.1)	8480	(2485)	7920	(2321)	7390	(2166)	6850	(2008)	6320	(1852)	5810	(1703)	5290	(1550)
	-20	(-28.9)	7270	(2131)	6770	(1984)	6280	(1841)	5800	(1700)	5340	(1565)	4870	(1427)	4430	(1298)
	-25	(-31.7)	6140	(1800)	5690	(1668)	5240	(1536)	4810	(1410)	4400	(1290)	4010	(1175)	3630	(1064)
	-30	(-34.4)	5100	(1495)	4680	(1372)	4280	(1254)	3900	(1143)	3550	(1040)	3210	(941)	2900	(850)
BMHA025L6 Compressor Model CF09K6E *	10	(-12.2)	21900	(6419)	20700	(6067)	19500	(5715)	18300	(5363)	17100	(5012)	15900	(4660)	14800	(4338)
	5	(-15.0)	19900	(5832)	18800	(5510)	17600	(5158)	16500	(4836)	15500	(4543)	14400	(4220)	13300	(3898)
	0	(-17.8)	17900	(5246)	16900	(4953)	15900	(4660)	14900	(4367)	13800	(4045)	12900	(3781)	11900	(3488)
	-5	(-20.6)	16000	(4689)	15100	(4426)	14100	(4132)	13200	(3869)	12300	(3605)	11400	(3341)	10500	(3077)
	-10	(-23.3)	14200	(4162)	13300	(3898)	12500	(3664)	11600	(3400)	10800	(3165)	9980	(2925)	9180	(2691)
	-15	(-26.1)	12500	(3664)	11700	(3429)	10900	(3195)	10100	(2960)	9370	(2746)	8630	(2529)	7900	(2315)
	-20	(-28.9)	10800	(3165)	10100	(2960)	9390	(2752)	8690	(2547)	8010	(2348)	7350	(2154)	6700	(1964)
	-25	(-31.7)	9250	(2711)	8600	(2521)	7970	(2336)	7340	(2151)	6740	(1975)	6150	(1802)	5560	(1630)
	-30	(-34.4)	7790	(2283)	7210	(2113)	6640	(1946)	6090	(1785)	5540	(1624)	5020	(1471)	4510	(1322)
BMHA031L6 Compressor Model CF12K6E *	10	(-12.2)	27400	(8030)	25900	(7591)	24300	(7122)	22800	(6682)	21300	(6243)	19800	(5803)	18400	(5393)
	5	(-15.0)	24900	(7298)	23500	(6887)	22100	(6477)	20700	(6067)	19300	(5657)	18000	(5275)	16600	(4865)
	0	(-17.8)	22500	(6594)	21200	(6213)	19900	(5832)	18700	(5481)	17400	(5100)	16200	(4748)	14900	(4367)
	-5	(-20.6)	20200	(5920)	19000	(5569)	17900	(5246)	16700	(4894)	15600	(4572)	14400	(4220)	13300	(3898)
	-10	(-23.3)	18000	(5275)	17000	(4982)	15900	(4660)	14900	(4367)	13800	(4045)	12800	(3751)	11800	(3458)
	-15	(-26.1)	15900	(4660)	15000	(4396)	14000	(4103)	13100	(3839)	12100	(3546)	11200	(3283)	10300	(3019)
	-20	(-28.9)	14000	(4103)	13100	(3839)	12200	(3576)	11400	(3341)	10500	(3077)	9670	(2834)	8850	(2594)
	-25	(-31.7)	12100	(3546)	11300	(3312)	10500	(3077)	9720	(2849)	8940	(2620)	8170	(2394)	7420	(2175)
	-30	(-34.4)	10300	(3019)	9570	(2805)	8840	(2591)	8120	(2380)	7400	(2169)	6680	(1958)	5990	(1756)

--- Outside Operating Range † Max 40°F RGT \* Not suitable for use with R-507

CONDENSING UNIT MODEL	SATURATED SUCTION TEMPERATURE		AMBIENT TEMPERATURE ° F ( ° C)													
	° F	° C	80	(26.6)	85	(29.4)	90	(32.2)	95	(35)	100	(37.8)	105	(40.6)	110	(43.3)
BMHS011H2 Compressor Model H29B14U	45	(7.2)	15600	(4572)	14900	(4367)	14300	(4191)	13600	(3986)	12900	(3781)	12300	(3605)	11700	(3429)
	40	(4.4)	14200	(4162)	13500	(3957)	12900	(3781)	12200	(3576)	11600	(3400)	11000	(3224)	10400	(3048)
	35	(1.7)	12800	(3751)	12100	(3546)	11500	(3370)	10900	(3195)	10300	(3019)	9740	(2855)	9170	(2688)
	30	(-1.1)	11400	(3341)	10800	(3165)	10200	(2989)	9620	(2819)	9050	(2652)	8490	(2488)	7930	(2324)
	25	(-3.9)	9950	(2916)	9410	(2758)	8880	(2603)	8340	(2444)	7800	(2286)	7260	(2128)	6720	(1970)
	20	(-6.7)	8590	(2518)	8100	(2374)	7600	(2227)	7100	(2081)	6580	(1928)	6070	(1779)	5540	(1624)
	15	(-9.4)	7260	(2128)	6820	(1999)	6370	(1867)	5890	(1726)	5410	(1586)	4910	(1439)	4400	(1290)
	10	(-12.2)	5990	(1756)	5600	(1641)	5180	(1518)	4740	(1389)	4280	(1254)	3800	(1114)	3310	(970)
	5	(-15.0)	4790	(1404)	4440	(1301)	4060	(1190)	3650	(1070)	3210	(941)	2750	(806)	2260	(662)
0	(-17.8)	3660	(1073)	3350	(982)	3010	(882)	2630	(771)	2210	(648)	1760	(516)	1280	(375)	
BMHS015H2 Compressor Model H29B18U	45	(7.2)	20600	(6038)	19700	(5774)	18800	(5510)	18000	(5275)	17100	(5012)	16300	(4777)	15500	(4543)
	40	(4.4)	18700	(5481)	17900	(5246)	17100	(5012)	16300	(4777)	15500	(4543)	14700	(4308)	13900	(4074)
	35	(1.7)	16800	(4924)	16000	(4689)	15300	(4484)	14500	(4250)	13800	(4045)	13100	(3839)	12300	(3605)
	30	(-1.1)	15000	(4396)	14200	(4162)	13500	(3957)	12800	(3751)	12100	(3546)	11500	(3370)	10800	(3165)
	25	(-3.9)	13100	(3839)	12500	(3664)	11800	(3458)	11200	(3283)	10500	(3077)	9880	(2896)	9240	(2708)
	20	(-6.7)	11300	(3312)	10700	(3136)	10100	(2960)	9530	(2793)	8930	(2617)	8330	(2441)	7750	(2271)
	15	(-9.4)	9610	(2817)	9060	(2655)	8510	(2494)	7950	(2330)	7410	(2172)	6850	(2008)	6290	(1843)
	10	(-12.2)	7960	(2333)	7470	(2189)	6960	(2040)	6460	(1893)	5940	(1741)	5430	(1591)	4910	(1439)
	5	(-15.0)	6410	(1879)	5960	(1747)	5500	(1612)	5040	(1477)	4570	(1339)	4100	(1202)	3620	(1061)
0	(-17.8)	4960	(1454)	4560	(1336)	4150	(1216)	3730	(1093)	3300	(967)	2850	(835)	2400	(703)	
BMHS020H2 Compressor Model H29B24U	45	(7.2)	28300	(8294)	27100	(7943)	26000	(7620)	24900	(7298)	23700	(6946)	22600	(6624)	21500	(6301)
	40	(4.4)	25500	(7474)	24400	(7151)	23400	(6858)	22300	(6536)	21200	(6213)	20200	(5920)	19100	(5598)
	35	(1.7)	22800	(6682)	21800	(6389)	20800	(6096)	19800	(5803)	18800	(5510)	17800	(5217)	16900	(4953)
	30	(-1.1)	20200	(5920)	19300	(5657)	18400	(5393)	17400	(5100)	16500	(4836)	15600	(4572)	14700	(4308)
	25	(-3.9)	17700	(5188)	16900	(4953)	16000	(4689)	15200	(4455)	14300	(4191)	13500	(3957)	12700	(3722)
	20	(-6.7)	15300	(4484)	14600	(4279)	13800	(4045)	13000	(3810)	12300	(3605)	11500	(3370)	10800	(3165)
	15	(-9.4)	13100	(3839)	12400	(3634)	11700	(3429)	11000	(3224)	10400	(3048)	9720	(2849)	9110	(2670)
	10	(-12.2)	10900	(3195)	10300	(3019)	9730	(2852)	9160	(2685)	8610	(2523)	8090	(2371)	7580	(2222)
	5	(-15.0)	8930	(2617)	8440	(2474)	7950	(2330)	7490	(2195)	7060	(2069)	6640	(1946)	6260	(1835)
0	(-17.8)	7120	(2087)	6730	(1972)	6370	(1867)	6030	(1767)	5720	(1676)	5440	(1594)	5190	(1521)	
BMHS031H2 Compressor Model H29B35U	45	(7.2)	39100	(11460)	37700	(11049)	36300	(10639)	34800	(10199)	33400	(9789)	32000	(9379)	30600	(8968)
	40	(4.4)	35800	(10492)	34400	(10082)	33100	(9701)	31700	(9291)	30400	(8910)	29100	(8529)	27800	(8148)
	35	(1.7)	32500	(9525)	31200	(9144)	30000	(8792)	28700	(8411)	27500	(8060)	26300	(7708)	25100	(7356)
	30	(-1.1)	29300	(8587)	28100	(8236)	27000	(7913)	25800	(7562)	24700	(7239)	23500	(6887)	22400	(6565)
	25	(-3.9)	26200	(7679)	25100	(7356)	24100	(7063)	23000	(6741)	21900	(6419)	20900	(6125)	19800	(5803)
	20	(-6.7)	23200	(6800)	22200	(6506)	21200	(6213)	20200	(5920)	19300	(5657)	18300	(5363)	17400	(5100)
	15	(-9.4)	20400	(5979)	19500	(5715)	18600	(5451)	17600	(5158)	16700	(4894)	15900	(4660)	15000	(4396)
	10	(-12.2)	17700	(5188)	16800	(4924)	16000	(4689)	15200	(4455)	14300	(4191)	13500	(3957)	12800	(3751)
	5	(-15.0)	15100	(4426)	14300	(4191)	13600	(3986)	12800	(3751)	12100	(3546)	11300	(3312)	10700	(3136)
0	(-17.8)	12700	(3722)	12000	(3517)	11300	(3312)	10600	(3107)	9940	(2913)	9290	(2723)	8680	(2544)	
BMHS035H2 Compressor Model H23A423	45	(7.2)	113300	(33206)	42200	(12368)	40600	(11899)	39000	(11430)	37500	(10991)	35900	(10522)	34300	(10053)
	40	(4.4)	40000	(11723)	38500	(11284)	37000	(10844)	35600	(10434)	34100	(9994)	32700	(9584)	31200	(9144)
	35	(1.7)	36200	(10610)	34900	(10229)	33500	(9818)	32200	(9437)	30900	(9056)	29600	(8675)	28200	(8265)
	30	(-1.1)	32600	(9555)	31400	(9203)	30100	(8822)	28900	(8470)	27700	(8118)	26500	(7767)	25400	(7444)
	25	(-3.9)	29100	(8529)	28000	(8206)	26900	(7884)	25800	(7562)	24700	(7239)	23600	(6917)	22600	(6624)
	20	(-6.7)	25800	(7562)	24800	(7268)	23800	(6975)	22800	(6682)	21800	(6389)	20900	(6125)	20000	(5862)
	15	(-9.4)	22700	(6653)	21800	(6389)	20900	(6125)	20000	(5862)	19100	(5598)	18300	(5363)	17500	(5129)
	10	(-12.2)	19800	(5803)	18900	(5539)	18100	(5305)	17300	(5070)	16600	(4865)	15800	(4631)	15100	(4426)
	5	(-15.0)	17100	(5012)	16300	(4777)	15600	(4572)	14900	(4367)	14200	(4162)	13600	(3986)	12900	(3781)
0	(-17.8)	14600	(4279)	13900	(4074)	13300	(3898)	12600	(3693)	12100	(3546)	11500	(3370)	10900	(3195)	

--- Outside Operating Range † Max 40°F RGT

CONDENSING UNIT MODEL	SATURATED SUCTION TEMPERATURE		AMBIENT TEMPERATURE ° F ( ° C)																																																																																						
	° F	° C	80 (26.6)	85 (29.4)	90 (32.2)	95 (35)	100 (37.8)	105 (40.6)	110 (43.3)																																																																																
	<b>BMHS040H2</b> Compressor Model H23A543	45 (7.2)	59000 (17292)	56800 (16647)	54800 (16061)	52700 (15445)	50700 (14859)	48600 (14244)	46600 (13658)	40	4.4	53800 (15768)	51800 (15182)	49900 (14625)	48000 (14068)	46200 (13540)	44300 (12984)	42400 (12427)	35	1.7	48800 (14302)	47000 (13775)	45200 (13247)	43400 (12720)	41700 (12222)	40000 (11723)	38300 (11225)	30	-1.1	43900 (12866)	42200 (12368)	40600 (11899)	39000 (11430)	37500 (10991)	35900 (10522)	34400 (10082)	25	-3.9	39200 (11489)	37600 (11020)	36200 (10610)	34700 (10170)	33300 (9760)	31900 (9349)	30600 (8968)	20	-6.7	34700 (10170)	33300 (9760)	31900 (9349)	30600 (8968)	29400 (8617)	28100 (8236)	26900 (7884)	15	-9.4	30500 (8939)	29200 (8558)	27900 (8177)	26700 (7825)	25600 (7503)	24500 (7181)	23500 (6887)	10	-12.2	26500 (7767)	25300 (7415)	24200 (7093)	23100 (6770)	22100 (6477)	21200 (6213)	20200 (5920)	5	-15.0	22900 (6712)	21700 (6360)	20700 (6067)	19800 (5803)	18900 (5539)	18100 (5305)	17300 (5070)	0	-17.8	19500 (5715)	18500 (5422)	17600 (5158)	16700 (4894)	16000 (4689)	15300 (4484)
<b>BMHS050H2</b> Compressor Model H23A623	45 (7.2)	64500 (18904)	62300 (18259)	60200 (17644)	58100 (17028)	56000 (16413)	53800 (15768)	51500 (15094)	40	4.4	59500 (17438)	57400 (16823)	55500 (16266)	53600 (15709)	51700 (15152)	49700 (14566)	47600 (13951)	35	1.7	54300 (15914)	52400 (15358)	50700 (14859)	49000 (14361)	47300 (13863)	45500 (13335)	43600 (12778)	30	-1.1	49200 (14420)	47500 (13921)	45900 (13453)	44300 (12984)	42800 (12544)	41200 (12075)	39500 (11577)	25	-3.9	44100 (12925)	42500 (12456)	41100 (12046)	39700 (11635)	38300 (11225)	36900 (10815)	35400 (10375)	20	-6.7	39200 (11489)	37700 (11049)	36300 (10639)	35100 (10287)	33900 (9936)	32700 (9584)	31300 (9174)	15	-9.4	34400 (10082)	33000 (9672)	31800 (9320)	30700 (8998)	29700 (8705)	28600 (8382)	27400 (8030)	10	-12.2	29800 (8734)	28500 (8353)	27500 (8060)	26500 (7767)	25600 (7503)	24600 (7210)	23600 (6917)	5	-15.0	25600 (7503)	24400 (7151)	23400 (6858)	22600 (6624)	21800 (6389)	21000 (6155)	20000 (5862)	0	-17.8	21800 (6389)	20700 (6067)	19800 (5803)	19000 (5569)	18300 (5363)	17600 (5158)	16800 (4924)

--- Outside Operating Range † Max 40°F RGT

**R404A - EXTENDED MEDIUM  
TEMPERATURE  
CAPACITY BTU/H (WATTS)**

CONDENSING UNIT MODEL	SATURATED SUCTION TEMPERATURE		AMBIENT TEMPERATURE ° F ( ° C)						
	° F	° C	80 (26.6)	85 (29.4)	90 (32.2)	95 (35)	100 (37.8)	105 (40.6)	110 (43.3)
BMHD016M6 Compressor Model MTZ18	35 (1.7)	18800 (5510)	17800 (5217)	16700 (4894)	15600 (4572)	14400 (4220)	13200 (3869)	12000 (3517)	
	30 (-1.1)	17400 (5100)	16500 (4836)	15500 (4543)	14500 (4250)	13400 (3927)	12300 (3605)	11200 (3283)	
	25 (-3.9)	16100 (4719)	15200 (4455)	14300 (4191)	13400 (3927)	12400 (3634)	11400 (3341)	10400 (3048)	
	20 (-6.7)	14700 (4308)	13900 (4074)	13100 (3839)	12300 (3605)	11400 (3341)	10500 (3077)	9520 (2790)	
	15 (-9.4)	13300 (3898)	12600 (3693)	11900 (3488)	11200 (3283)	10400 (3048)	9540 (2796)	8660 (2538)	
	10 (-12.2)	12000 (3517)	11400 (3341)	10800 (3165)	10100 (2960)	9350 (2740)	8590 (2518)	7790 (2283)	
	5 (-15.0)	10700 (3136)	10200 (2989)	9590 (2811)	8980 (2632)	8330 (2441)	7640 (2239)	6920 (2028)	
	0 (-17.8)	9430 (2764)	8970 (2629)	8460 (2479)	7910 (2318)	7330 (2148)	6710 (1967)	6050 (1773)	
	-5 (-20.6)	8230 (2412)	7820 (2292)	7360 (2157)	6870 (2013)	6340 (1858)	5780 (1694)	5180 (1518)	
-10 (-23.3)	7080 (2075)	6710 (1967)	6300 (1846)	5860 (1717)	5390 (1580)	4870 (1427)	4330 (1269)		
BMHD021M6 Compressor Model MTZ22	35 (1.7)	23900 (7005)	22700 (6653)	21400 (6272)	20200 (5920)	18900 (5539)	17500 (5129)	16200 (4748)	
	30 (-1.1)	21900 (6419)	20800 (6096)	19700 (5774)	18600 (5451)	17400 (5100)	16100 (4719)	14900 (4367)	
	25 (-3.9)	20000 (5862)	19000 (5569)	18000 (5275)	17000 (4982)	15900 (4660)	14800 (4338)	13600 (3986)	
	20 (-6.7)	18100 (5305)	17300 (5070)	16400 (4807)	15400 (4513)	14400 (4220)	13400 (3927)	12400 (3634)	
	15 (-9.4)	16400 (4807)	15600 (4572)	14700 (4308)	13900 (4074)	13000 (3810)	12100 (3546)	11200 (3283)	
	10 (-12.2)	14700 (4308)	13900 (4074)	13200 (3869)	12500 (3664)	11700 (3429)	10800 (3165)	10000 (2931)	
	5 (-15.0)	13000 (3810)	12400 (3634)	11700 (3429)	11100 (3253)	10400 (3048)	9610 (2817)	8850 (2594)	
	0 (-17.8)	11500 (3370)	10900 (3195)	10300 (3019)	9720 (2849)	9080 (2661)	8420 (2468)	7740 (2268)	
	-5 (-20.6)	10100 (2960)	9570 (2805)	9020 (2644)	8460 (2479)	7880 (2309)	7270 (2131)	6650 (1949)	
-10 (-23.3)	8790 (2576)	8290 (2430)	7790 (2283)	7260 (2128)	6730 (1972)	6180 (1811)	5610 (1644)		
BMHD025M6 Compressor Model MTZ28	35 (1.7)	28900 (8470)	27500 (8060)	26100 (7649)	24600 (7210)	23200 (6800)	21700 (6360)	20100 (5891)	
	30 (-1.1)	26400 (7737)	25200 (7386)	23800 (6975)	22500 (6594)	21200 (6213)	19800 (5803)	18400 (5393)	
	25 (-3.9)	24000 (7034)	22900 (6712)	21700 (6360)	20500 (6008)	19300 (5657)	18000 (5275)	16800 (4924)	
	20 (-6.7)	21700 (6360)	20700 (6067)	19600 (5744)	18500 (5422)	17400 (5100)	16300 (4777)	15200 (4455)	
	15 (-9.4)	19600 (5744)	18600 (5451)	17600 (5158)	16600 (4865)	15600 (4572)	14600 (4279)	13600 (3986)	
	10 (-12.2)	17500 (5129)	16600 (4865)	15800 (4631)	14900 (4367)	14000 (4103)	13100 (3839)	12100 (3546)	
	5 (-15.0)	15600 (4572)	14800 (4338)	14000 (4103)	13200 (3869)	12400 (3634)	11500 (3370)	10700 (3136)	
	0 (-17.8)	13800 (4045)	13100 (3839)	12300 (3605)	11600 (3400)	10800 (3165)	10100 (2960)	9360 (2743)	
	-5 (-20.6)	12200 (3576)	11500 (3370)	10800 (3165)	10100 (2960)	9420 (2761)	8740 (2562)	8080 (2368)	
-10 (-23.3)	10700 (3136)	10100 (2960)	9390 (2752)	8730 (2559)	8100 (2374)	7470 (2189)	6860 (2011)		
BMHD031M6 Compressor Model MTZ36	35 (1.7)	34100 (9994)	32400 (9496)	30700 (8998)	29000 (8499)	27200 (7972)	25500 (7474)	23700 (6946)	
	30 (-1.1)	31400 (9203)	29800 (8734)	28300 (8294)	26700 (7825)	25100 (7356)	23500 (6887)	21800 (6389)	
	25 (-3.9)	28700 (8411)	27300 (8001)	25900 (7591)	24400 (7151)	23000 (6741)	21500 (6301)	20000 (5862)	
	20 (-6.7)	26100 (7649)	24800 (7268)	23500 (6887)	22200 (6506)	20900 (6125)	19600 (5744)	18200 (5334)	
	15 (-9.4)	23600 (6917)	22500 (6594)	21300 (6243)	20100 (5891)	18900 (5539)	17700 (5188)	16500 (4836)	
	10 (-12.2)	21300 (6243)	20200 (5920)	19100 (5598)	18000 (5275)	17000 (4982)	15900 (4660)	14800 (4338)	
	5 (-15.0)	19100 (5598)	18100 (5305)	17100 (5012)	16100 (4719)	15100 (4426)	14100 (4132)	13100 (3839)	
	0 (-17.8)	17000 (4982)	16100 (4719)	15100 (4426)	14200 (4162)	13300 (3898)	12400 (3634)	11500 (3370)	
	-5 (-20.6)	15100 (4426)	14200 (4162)	13300 (3898)	12500 (3664)	11600 (3400)	10800 (3165)	9960 (2919)	
-10 (-23.3)	13300 (3898)	12400 (3634)	11600 (3400)	10800 (3165)	10000 (2931)	9240 (2708)	8490 (2488)		
BMHD036M6 Compressor Model MTZ44	35 (1.7)	40400 (11841)	38300 (11225)	36100 (10580)	33800 (9906)	31600 (9261)	29400 (8617)	27100 (7943)	
	30 (-1.1)	37200 (10903)	35200 (10317)	33200 (9730)	31200 (9144)	29100 (8529)	27100 (7943)	25000 (7327)	
	25 (-3.9)	34100 (9994)	32200 (9437)	30400 (8910)	28500 (8353)	26700 (7825)	24800 (7268)	22900 (6712)	
	20 (-6.7)	31000 (9086)	29300 (8587)	27600 (8089)	25900 (7591)	24200 (7093)	22500 (6594)	20800 (6096)	
	15 (-9.4)	28100 (8236)	26500 (7767)	25000 (7327)	23400 (6858)	21800 (6389)	20300 (5950)	18700 (5481)	
	10 (-12.2)	25300 (7415)	23800 (6975)	22400 (6565)	20900 (6125)	19500 (5715)	18100 (5305)	16700 (4894)	
	5 (-15.0)	22600 (6624)	21200 (6213)	19900 (5832)	18600 (5451)	17300 (5070)	16000 (4689)	14700 (4308)	
	0 (-17.8)	20100 (5891)	18800 (5510)	17600 (5158)	16300 (4777)	15100 (4426)	14000 (4103)	12800 (3751)	
	-5 (-20.6)	17800 (5217)	16600 (4865)	15400 (4513)	14200 (4162)	13100 (3839)	12000 (3517)	10900 (3195)	
-10 (-23.3)	15600 (4572)	14500 (4250)	13300 (3898)	12200 (3576)	11200 (3283)	10200 (2989)	9170 (2688)		

--- Outside Operating Range † Max 40°F RGT

**R404 - EXTENDED MEDIUM  
TEMPERATURE  
CAPACITY BTU/H (WATTS)**

CONDENSING UNIT MODEL	SATURATED SUCTION TEMPERATURE		AMBIENT TEMPERATURE ° F ( ° C)							
	° F	° C	80 (26.6)	85 (29.4)	90 (32.2)	95 (35)	100 (37.8)	105 (40.6)	110 (43.3)	
<b>BMHD040M6</b> Compressor Model MTZ50	35 (1.7)		51800 (15182)	49200 (14420)	46600 (13658)	44000 (12896)	41300 (12104)	38600 (11313)	35900 (10522)	
	30 (-1.1)		47500 (13921)	45100 (13218)	42700 (12515)	40300 (11811)	37900 (11108)	35400 (10375)	32900 (9642)	
	25 (-3.9)		43300 (12691)	41100 (12046)	38900 (11401)	36700 (10756)	34500 (10111)	32200 (9437)	30000 (8792)	
	20 (-6.7)		39300 (11518)	37300 (10932)	35300 (10346)	33300 (9760)	31200 (9144)	29200 (8558)	27100 (7943)	
	15 (-9.4)		35500 (10404)	33700 (9877)	31800 (9320)	29900 (8763)	28100 (8236)	26200 (7679)	24400 (7151)	
	10 (-12.2)		31900 (9349)	30200 (8851)	28500 (8353)	26800 (7855)	25100 (7356)	23400 (6858)	21700 (6360)	
	5 (-15.0)		28500 (8353)	26900 (7884)	25300 (7415)	23800 (6975)	22200 (6506)	20600 (6038)	19100 (5598)	
	0 (-17.8)		25400 (7444)	23900 (7005)	22400 (6565)	20900 (6125)	19500 (5715)	18000 (5275)	16600 (4865)	
	-5 (-20.6)		22500 (6594)	21100 (6184)	19700 (5774)	18300 (5363)	16900 (4953)	15600 (4572)	14300 (4191)	
	-10 (-23.3)		19900 (5832)	18500 (5422)	17100 (5012)	15800 (4631)	14500 (4250)	13300 (3898)	12100 (3546)	
<b>BMHD050M6</b> Compressor Model MTZ56	35 (1.7)		55400 (16237)	52700 (15445)	49900 (14625)	47000 (13775)	44200 (12954)	41300 (12104)	38500 (11284)	
	30 (-1.1)		51100 (14977)	48500 (14215)	45900 (13453)	43400 (12720)	40800 (11958)	38100 (11166)	35500 (10404)	
	25 (-3.9)		46800 (13716)	44500 (13042)	42100 (12339)	39700 (11635)	37300 (10932)	34900 (10229)	32500 (9525)	
	20 (-6.7)		42700 (12515)	40500 (11870)	38400 (11254)	36200 (10610)	34000 (9965)	31800 (9320)	29600 (8675)	
	15 (-9.4)		38700 (11342)	36700 (10756)	34700 (10170)	32700 (9584)	30700 (8998)	28700 (8411)	26700 (7825)	
	10 (-12.2)		34900 (10229)	33000 (9672)	31200 (9144)	29400 (8617)	27500 (8060)	25700 (7532)	23900 (7005)	
	5 (-15.0)		31300 (9174)	29600 (8675)	27800 (8148)	26100 (7649)	24500 (7181)	22800 (6682)	21100 (6184)	
	0 (-17.8)		27900 (8177)	26200 (7679)	24600 (7210)	23100 (6770)	21500 (6301)	20000 (5862)	18400 (5393)	
	-5 (-20.6)		24700 (7239)	23100 (6770)	21600 (6331)	20100 (5891)	18700 (5481)	17200 (5041)	15800 (4631)	
	-10 (-23.3)		21700 (6360)	20200 (5920)	18800 (5510)	17400 (5100)	16000 (4689)	14600 (4279)	13300 (3898)	

--- Outside Operating Range † Max 40°F RGT

### MANEUROP

CONDENSING UNIT MODEL	SATURATED SUCTION TEMPERATURE		AMBIENT TEMPERATURE ° F ( ° C)							
	° F	° C	80 (26.6)	85 (29.4)	90 (32.2)	95 (35)	100 (37.8)	105 (40.6)	110 (43.3)	
BMHD015L6 Compressor Model LTZ22	-5 (-20.6)		9940 (2913)	9300 (2726)	8670 (2541)	8040 (2356)	7450 (2183)	6850 (2008)	6280 (1841)	
	-10 (-23.3)		8810 (2582)	8230 (2412)	7660 (2245)	7110 (2084)	6570 (1926)	6050 (1773)	5550 (1627)	
	-15 (-26.1)		7740 (2268)	7220 (2116)	6720 (1970)	6220 (1823)	5750 (1685)	5290 (1550)	4850 (1421)	
	-20 (-28.9)		6750 (1978)	6280 (1841)	5830 (1709)	5400 (1583)	4970 (1457)	4570 (1339)	4200 (1231)	
	-25 (-31.7)		5830 (1709)	5420 (1589)	5020 (1471)	4620 (1354)	4250 (1246)	3900 (1143)	3580 (1049)	
	-30 (-34.4)		5010 (1468)	4620 (1354)	4260 (1249)	3910 (1146)	3580 (1049)	3290 (964)	3010 (882)	
	-35 (-37.2)		4250 (1246)	3910 (1146)	3580 (1049)	3280 (961)	2980 (873)	2710 (794)	2480 (727)	
	-40 (-40.0)		3590 (1052)	3280 (961)	2980 (873)	2690 (788)	2420 (709)	2190 (642)	1990 (583)	
BMHD025L6 Compressor Model LTZ28	-5 (-20.6)		14400 (4220)	13600 (3986)	12800 (3751)	11900 (3488)	11100 (3253)	10300 (3019)	9500 (2784)	
	-10 (-23.3)		12900 (3781)	12100 (3546)	11400 (3341)	10600 (3107)	9860 (2890)	9120 (2673)	8400 (2462)	
	-15 (-26.1)		11400 (3341)	10700 (3136)	10000 (2931)	9330 (2734)	8660 (2538)	8010 (2348)	7360 (2157)	
	-20 (-28.9)		10000 (2931)	9380 (2749)	8770 (2570)	8160 (2392)	7560 (2216)	6970 (2043)	6400 (1876)	
	-25 (-31.7)		8740 (2562)	8180 (2397)	7620 (2233)	7070 (2072)	6520 (1911)	5990 (1756)	5490 (1609)	
	-30 (-34.4)		7590 (2225)	7080 (2075)	6570 (1926)	6070 (1779)	5570 (1632)	5090 (1492)	4640 (1360)	
	-35 (-37.2)		6560 (1923)	6080 (1782)	5600 (1641)	5140 (1506)	4690 (1375)	4250 (1246)	3840 (1125)	
	-40 (-40.0)		5620 (1647)	5170 (1515)	4730 (1386)	4300 (1260)	3870 (1134)	3470 (1017)	3090 (906)	
BMHD031L6 Compressor Model LTZ40	-5 (-20.6)		21100 (6184)	19900 (5832)	18600 (5451)	17400 (5100)	16100 (4719)	14900 (4367)	13700 (4015)	
	-10 (-23.3)		18700 (5481)	17600 (5158)	16500 (4836)	15400 (4513)	14300 (4191)	13200 (3869)	12100 (3546)	
	-15 (-26.1)		16500 (4836)	15500 (4543)	14600 (4279)	13600 (3986)	12600 (3693)	11600 (3400)	10700 (3136)	
	-20 (-28.9)		14500 (4250)	13600 (3986)	12700 (3722)	11900 (3488)	11000 (3224)	10100 (2960)	9310 (2729)	
	-25 (-31.7)		12700 (3722)	11900 (3488)	11100 (3253)	10300 (3019)	9540 (2796)	8780 (2573)	8040 (2356)	
	-30 (-34.4)		11000 (3224)	10300 (3019)	9560 (2802)	8870 (2600)	8180 (2397)	7520 (2204)	6870 (2013)	
	-35 (-37.2)		9490 (2781)	8830 (2588)	8190 (2400)	7550 (2213)	6940 (2034)	6340 (1858)	5780 (1694)	
	-40 (-40.0)		8150 (2389)	7540 (2210)	6940 (2034)	6370 (1867)	5800 (1700)	5260 (1542)	4760 (1395)	
BMHD040L6 Compressor Model LTZ50	-5 (-20.6)		30600 (8968)	29000 (8499)	27300 (8001)	25600 (7503)	23900 (7005)	22200 (6506)	20600 (6038)	
	-10 (-23.3)		27200 (7972)	25800 (7562)	24300 (7122)	22800 (6682)	21200 (6213)	19700 (5774)	18200 (5334)	
	-15 (-26.1)		24100 (7063)	22800 (6682)	21400 (6272)	20100 (5891)	18700 (5481)	17400 (5100)	16100 (4719)	
	-20 (-28.9)		21200 (6213)	20000 (5862)	18800 (5510)	17600 (5158)	16400 (4807)	15200 (4455)	14000 (4103)	
	-25 (-31.7)		18500 (5422)	17500 (5129)	16400 (4807)	15300 (4484)	14300 (4191)	13200 (3869)	12200 (3576)	
	-30 (-34.4)		16100 (4719)	15200 (4455)	14200 (4162)	13200 (3869)	12300 (3605)	11300 (3312)	10400 (3048)	
	-35 (-37.2)		14000 (4103)	13100 (3839)	12200 (3576)	11300 (3312)	10400 (3048)	9590 (2811)	8730 (2559)	
	-40 (-40.0)		12000 (3517)	11200 (3283)	10400 (3048)	9560 (2802)	8760 (2567)	7960 (2333)	7180 (2104)	

--- Outside Operating Range † Max 40°F RGT

CONDENSING UNIT MODEL	COMPRESSOR MODEL NO.	POWER SUPPLY	COMPRESSOR		CONDENSER FAN MOTOR		UNIT		
			RLA	LRA	QTY	FLA	MCA	MOP	
BMHA005H2-*	-S1A	ARE59C3-CAA	115/1/60	7.2	36.0	1	1.2	10.2	15
	-S2A	ARE59C3-CAV	208-230/1/60	3.6	25.9	1	0.5	5.0	15
BMHA008H2-*	-S1A	RS47C2-IAA	115/1/60	12.8	66.3	1	1.2	17.2	25
	-S2A	RS47C2-IAV	208-230/1/60	6.4	35.5	1	0.5	8.5	15
BMHA011H2-*	-S1A	RS70C1-PAA	115/1/60	15.0	72.5	1	1.2	20.0	30
	-S2A	RS70C1-PFV	208-230/1/60	6.3	34.2	1	0.5	8.4	15
	-T3A	RS70C1-TFC	208-230/3/60	4.2	31.0	1	0.5	5.8	15
BMHA015H2-*	-S2A	CR18KQ-PFV	208-230/1/60	8.1	41.0	1	0.5	10.6	15
	-T3A	CR18KQ-TF5	208-230/3/60	5.4	49.0	1	0.5	7.3	15
BMHA020H2-*	-S2A	CR24KQ-PFV	208-230/1/60	12.2	70.5	1	1.1	16.3	25
	-T3A	CR24KQ-TF5	208-230/3/60	6.7	51.0	1	1.1	9.5	15
BMHA025H2-*	-S2A	CR32KQ-PFV	208-230/1/60	15.3	83.0	1	1.1	20.2	35
	-T3A	CR32KQ-TF5	208-230/3/60	8.8	63.0	1	1.1	12.2	20
BMHA031H2-*	-S2A	CR37KQ-PFV	208-230/1/60	16.7	100.0	1	1.1	21.9	35
	-T3A	CR37KQ-TF5	208-230/3/60	9.9	85.0	1	1.1	13.5	20
BMHA035H2-*	-S2A	CR41KQ-PFV	208-230/1/60	17.4	109.6	1	1.1	22.8	40
	-T3A	CR41KQ-TF5	208-230/3/60	11.8	80.0	1	1.1	15.8	25
BMHA040H2-*	-S2A	CR53KQ-PFV	208-230/1/60	26.0	140.0	1	2.1	34.6	60
	-T3A	CR53KQ-TF5	208-230/3/60	16.3	107.0	1	2.1	22.5	35
BMHA050H2-*	-S2A	CRN5-0500-PFV	208-230/1/60	30.8	142.0	1	2.1	40.6	70
	-T3A	CRN5-0500-TF5	208-230/3/60	19.2	130.0	1	2.1	26.1	45
BMHA006E6-*	-S1A	RS43C2E-CAA	115/1/60	9.1	51.0	1	1.1	12.5	20
	-S2A	RS43C2E-CAV	208-230/1/60	4.8	24.1	1	0.5	6.5	15
BMHA008E6-*	-S1A	RS55C2E-CAA	115/1/60	11.9	60.0	1	1.1	15.9	25
	-S2A	RS55C2E-CAV	208-230/1/60	5.4	40.0	1	0.5	7.3	15
BMHA009E6-*	-S1A	RS64C2E-CAA	115/1/60	10.9	59.0	1	1.1	14.7	25
	-S2A	RS64C2E-CAV	208-230/1/60	6.9	37.0	1	0.5	9.2	15
BMHA010E6-*	-S2A	RS70C1E-PFV	208-230/1/60	6.3	34.2	1	0.5	8.4	15
	-T3A	RS70C1E-TFC	208-230/3/60	4.2	31.0	1	0.5	5.8	15
BMHA016E6-*	-S2A	CS10K6E-PFV	208-230/1/60	9.8	56.0	1	0.5	12.8	20
	-T3A	CS10K6E-TF5	208-230/3/60	6.7	51.0	1	0.5	8.9	15
BMHA021E6-*	-S2A	CS12K6E-PFV	208-230/1/60	9.8	56.0	1	1.1	13.4	20
	-T3A	CS12K6E-TF5	208-230/3/60	6.7	51.0	1	1.1	9.5	15
BMHA025E6-*	-S2A	CS14K6E-PFV	208-230/1/60	11.2	61.0	1	1.1	15.1	25
	-T3A	CS14K6E-TF5	208-230/3/60	8.2	55.0	1	1.1	11.4	15
BMHA031E6-*	-S2A	CS18K6E-PFV	208-230/1/60	14.4	82.0	1	1.1	19.0	30
	-T3A	CS18K6E-TF5	208-230/3/60	7.9	65.5	1	1.1	11.0	15
BMHA035E6-*	-S2A	CS20K6E-PFV	208-230/1/60	16.7	96.0	1	1.1	21.9	35
	-T3A	CS20K6E-TF5	208-230/3/60	10.2	75.0	1	1.1	13.9	20
BMHA040E6-*	-S2A	CS27K6E-PFV	208-230/1/60	21.5	121	1	2.1	29.0	50
	-T3A	CS27K6E-TF5	208-230/3/60	12.1	105.0	1	2.1	17.2	25
BMHA050E6-*	-S2A	CS33K6E-PFV	208-230/1/60	27.6	125.0	1	2.1	36.6	60
	-T3A	CS33K6E-TF5	208-230/3/60	16.8	102.0	1	2.1	23.1	35
BMHA006L6-*	-S1A	AFT22C1E-IAA	115/1/60	8.3	55.0	1	1.1	11.4	15
	-S2A	AFT22C1E-CFV	208-230/1/60	3.3	32.5	1	0.5	4.7	15
BMHA008L6-*	-S1A	AFT26C1E-CFA	115/1/60	7.9	72.0	1	1.1	11.0	15
	-S2A	AFT26C1E-CFV	208-230/1/60	4.1	32.2	1	0.5	5.7	15
BMHA010L6-*	-S2A	CF04K6E-PFV	208-230/1/60	9.9	59.2	1	0.5	12.9	20
	-T3A	CF04K6E-TF5	208-230/3/60	6.1	52.0	1	0.5	8.1	15
BMHA020L6-*	-S2A	CF06K6E-PFV	208-230/1/60	10.3	59.2	1	0.5	13.3	20
	-T3A	CF06K6E-TF5	208-230/3/60	6.3	52.0	1	0.5	8.4	15
BMHA025L6-*	-S2A	CF09K6E-PFV	208-230/1/60	15.0	87.0	1	1.1	19.9	30
	-T3A	CF09K6E-TF5	208-230/3/60	9.2	72.2	1	1.1	12.6	20
BMHA031L6-*	-S2A	CF12K6E-PFV	208-230/1/60	18.4	105.0	1	1.1	24.1	40
	-T3A	CF12K6E-TF5	208-230/3/60	11.0	85.0	1	1.1	14.9	25

\* I = Indoor, H = Outdoor. Above listed RLA value is based on UL rating method and may differ from published compressor RLA data.

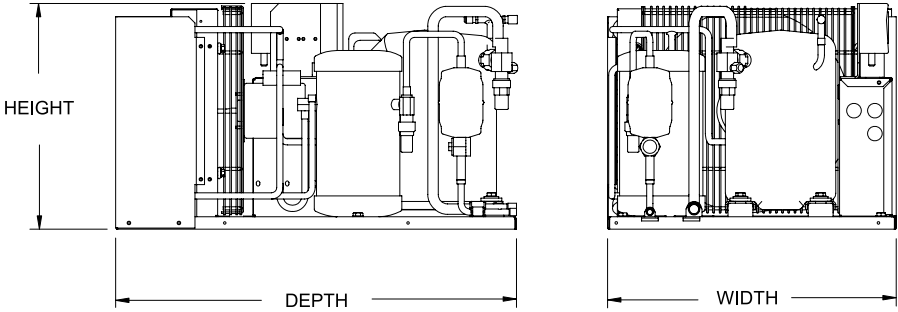
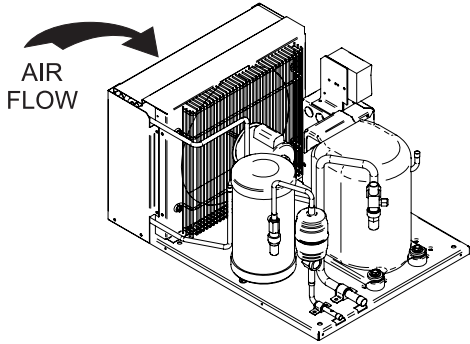
CONDENSING UNIT MODEL	COMPRESSOR MODEL NO.	POWER SUPPLY	COMPRESSOR		CONDENSER FAN MOTOR		UNIT		
			RLA	LRA	QTY	FLA	MCA	MOP	
BMHS011H2- * -S2A	H29B14UABC	208-230/1/60	7.7	48.0	1	0.5	10.1	15	
BMHS015H2- * -S2A	H29B18UABC	208-230/1/60	9.0	48.0	1	0.5	11.7	20	
BMHS020H2- *	-S2A	H29B24UABC	208-230/1/60	12.2	61.0	1	1.1	16.3	25
	-T3A	H29B24UDBL	208-230/3/60	8.3	58.0	1	1.1	11.5	20
BMHS031H2- *	-S2A	H29B35UABC	208-230/1/60	16.7	86.0	1	1.1	21.9	35
	-T3A	H29B35UDBL	208-230/3/60	10.3	78.0	1	1.1	13.9	20
BMHS035H2- *	-S2A	H23A423ABC	208-230/1/60	20.0	110.0	1	1.1	26.1	45
	-T3A	H23A423DBL	208-230/3/60	12.8	78.0	1	1.1	17.1	30
BMHS040H2- *	-S2A	H23A543ABC	208-230/1/60	28.8	138.0	1	2.1	38.2	60
	-T3A	H23A543DBL	208-230/3/60	17.3	106.0	1	2.1	23.7	40
BMHS050H2- *	-S2A	H23A623ABC	208-230/1/60	30.1	178.0	1	2.1	39.8	60
	-T3A	H23A623DBL	208-230/3/60	20.5	124.0	1	2.1	27.7	45

\* I = Indoor, H = Outdoor. Above listed RLA value is based on UL rating method and may differ from published compressor RLA data.

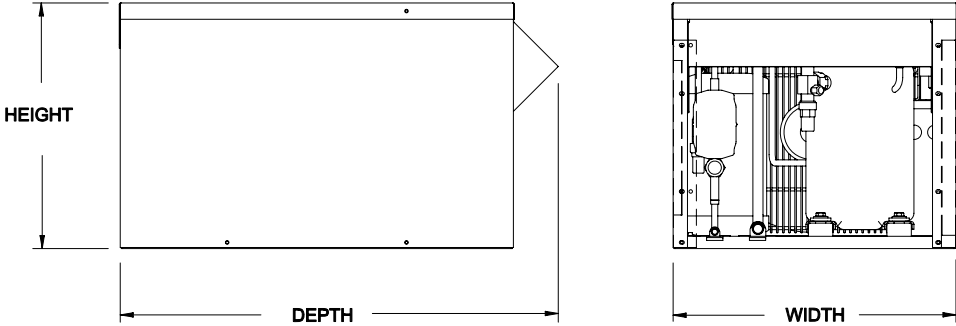
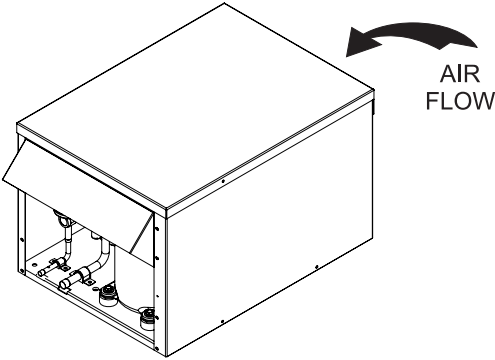
CONDENSING UNIT MODEL	COMPRESSOR MODEL NO.	POWER SUPPLY	COMPRESSOR		CONDENSER FAN MOTOR		UNIT		
			RLA	LRA	QTY	FLA	MCA	MOP	
BMHD016M6-*	-S2A	MTZ18-1VM	208-230/1/60	8.3	51.0	1	0.5	10.9	15
	-T3A	MTZ18-3VM	208-230/3/60	5.8	38.0	1	0.5	7.7	15
BMHD021M6-*	-S2A	MTZ22-1VM	208-230/1/60	10.9	49.3	1	1.1	14.7	25
	-T3A	MTZ22-3VM	208-230/3/60	7.1	38.0	1	1.1	9.9	15
BMHD025M6-*	-S2A	MTZ28-1VM	208-230/1/60	16.0	81.0	1	1.1	21.1	35
	-T3A	MTZ28-3VM	208-230/3/60	10.3	57.0	1	1.1	13.9	20
BMHD031M6-*	-S2A	MTZ36-1VM	208-230/1/60	19.2	84.0	1	1.1	25.1	40
	-T3A	MTZ36-3VM	208-230/3/60	10.9	74.0	1	1.1	14.7	25
BMHD036M6-*	-S2A	MTZ44-1VM	208-230/1/60	19.9	97.0	1	1.1	25.9	45
	-T3A	MTZ44-3VM	208-230/3/60	14.1	115.0	1	1.1	18.7	30
BMHD040M6-*	-S2A	MTZ50-1VM	208-230/1/60	23.1	114.0	1	2.1	30.9	50
	-T3A	MTZ50-3VM	208-230/3/60	16.0	115.0	1	2.1	22.1	35
BMHD050M6-*	-S2A	MTZ56-1VM	208-230/1/60	27.2	136.0	1	2.1	36.2	60
	-T3A	MTZ56-3VM	208-230/3/60	16.7	130.0	1	2.1	22.9	35
BMHD015L6-*	-S2A	LTZ22-1VM	208-230/1/60	10.9	49.3	1	0.5	14.1	25
	-T3A	LTZ22-3VM	208-230/3/60	7.1	38.0	1	0.5	9.3	15
BMHD025L6-*	-S2A	LTZ28-1VM	208-230/1/60	16.0	81.0	1	1.1	21.1	35
	-T3A	LTZ28-3VM	208-230/3/60	10.3	57.0	1	1.1	13.9	20
BMHD031L6-*	-S2A	LTZ40-1VM	208-230/1/60	19.9	97.0	1	1.1	26	35
	-T3A	LTZ40-3VM	208-230/3/60	14.1	115.0	1	1.1	18.7	45
BMHD040L6-*	-S2A	LTZ50-1VM	208-230/1/60	23.1	114.0	1	2.1	30.9	50
	-T3A	LTZ50-3VM	208-230/3/60	14.7	115.0	1	2.1	20.5	35

\* I = Indoor, H = Outdoor. Above listed RLA value is based on UL rating method and may differ from published compressor RLA data.

# DIMENSIONAL DATA



## INDOOR DIMENSIONS



## OUTDOOR DIMENSIONS

# DIMENSIONAL DATA

CONDENSING UNIT MODEL	INDOOR MODELS								OUTDOOR MODELS					
	LENGTH		DEPTH		HEIGHT				LENGTH		DEPTH		HEIGHT	
	Inches	mm	Inches	mm	COPELAND/ MANEUROP		BRISTOL		Inches	mm	Inches	mm	Inches	mm
					Inches	mm	Inches	mm						
BMH * 005H2	17 5/8	448	24 1/4	614	13 3/8	338	N/A	N/A	18	452	27	686	16 1/8	408
BMH * 008H2	17 5/8	448	24 1/4	614	13 3/8	338	N/A	N/A	18	452	27	686	16 1/8	408
BMH * 011H2	17 5/8	448	24 1/4	614	13 3/8	338	14 1/4	362	18	452	27	686	16 1/8	408
BMH * 015H2	19 5/8	498	24 1/4	614	15 7/8	403	15 7/8	403	19 7/8	503	27	686	16 1/8	408
BMH * 020H2	32 7/8	835	24 1/4	614	19 3/8	492	19 3/8	492	33	838	29 1/4	743	19 5/8	498
BMH * 025H2	32 7/8	835	24 1/4	614	19 3/8	492	19 3/8	492	33	838	29 1/4	743	19 5/8	498
BMH * 031H2	32 7/8	835	24 1/4	614	19 3/8	492	19 3/8	492	33	838	29 1/4	743	19 5/8	498
BMH * 035H2	32 7/8	835	24 1/4	614	19 3/8	492	N/A	N/A	33	838	29 1/4	743	19 5/8	498
BMH * 040H2	43 1/8	1096	30	764	29	737	N/A	N/A	43 1/2	1105	38 5/8	981	29 1/2	749
BMH * 050H2	43 1/8	1096	30	764	29	737	29	737	43 1/2	1105	38 5/8	981	29 1/2	749
BMH A 006E6	17 5/8	448	24 1/4	614	13 3/8	338	N/A	N/A	17 7/8	452	27	686	16 1/8	408
BMH A 008E6	17 5/8	448	24 1/4	614	13 3/8	338	N/A	N/A	17 7/8	452	27	686	16 1/8	408
BMH A 009E6	17 5/8	448	24 1/4	614	13 3/8	338	N/A	N/A	17 7/8	452	27	686	16 1/8	408
BMH A 010E6	17 5/8	448	24 1/4	614	13 3/8	338	N/A	N/A	17 7/8	452	27	686	16 1/8	408
BMH * 016^6	19 5/8	498	24 1/4	614	15 7/8	403	N/A	N/A	19 7/8	503	27	686	16 1/8	408
BMH * 021^6	32 7/8	835	24 1/4	614	19 3/8	492	19 3/8	492	33	838	29 1/4	743	19 5/8	498
BMH * 025^6	32 7/8	835	24 1/4	614	19 3/8	492	19 3/8	492	33	838	29 1/4	743	19 5/8	498
BMH * 031^6	32 7/8	835	24 1/4	614	19 3/8	492	19 3/8	492	33	838	29 1/4	743	19 5/8	498
BMH A 035^6	32 7/8	835	24 1/4	614	19 3/8	492	19 3/8	492	33	838	29 1/4	743	19 5/8	498
BMH D 036^6	32 7/8	835	24 1/4	614	19 3/8	492	19 3/8	492	33	838	29 1/4	743	19 5/8	498
BMH * 040^6	43 1/8	1096	30	764	29	737	N/A	N/A	43 1/2	1105	38 5/8	981	29 1/2	749
BMH * 050^6	43 1/8	1096	30	764	29	737	N/A	N/A	43 1/2	1105	38 5/8	981	29 1/2	749
BMH A 006L6	17 5/8	448	24 1/4	614	13 3/8	338	N/A	N/A	17 7/8	452	27	686	16 1/8	408
BMH A 008L6	17 5/8	448	24 1/4	614	13 3/8	338	N/A	N/A	17 7/8	452	27	686	16 1/8	408
BMH A 010L6	17 5/8	448	24 1/4	614	14 1/2	368	N/A	N/A	17 7/8	452	27	686	16 1/8	408
BMH D 015L6	19 5/8	498	24 1/4	614	15 7/8	403	15 7/8	403	19 7/8	503	27	686	16 1/8	408
BMH A 020L6	19 5/8	498	24 1/4	614	15 7/8	403	15 7/8	403	19 7/8	503	27	686	16 1/8	408
BMH * 025L6	32 7/8	835	24 1/4	614	19 3/8	492	19 3/8	492	33	838	29 1/4	743	19 5/8	498
BMH * 031L6	32 7/8	835	24 1/4	614	19 3/8	492	19 3/8	492	33	838	29 1/4	743	19 5/8	498
BMH D 040L6	43 1/8	1096	30	764	29	737	N/A	N/A	43 1/2	1105	38 5/8	981	29 1/2	749

\* May be A, D or S depending on compressor availability

^ May be E or M.

# SPECIFICATIONS

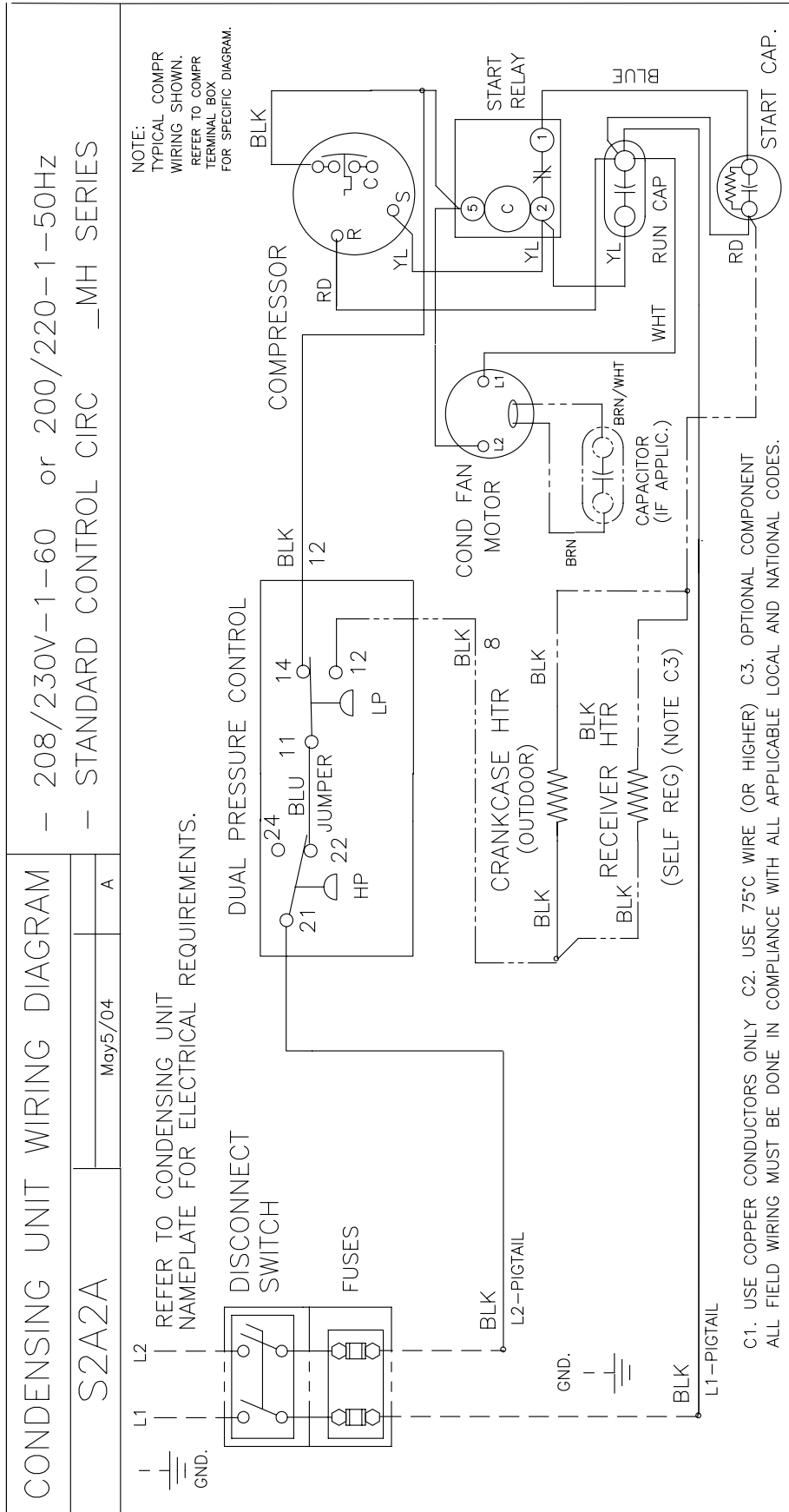
CONDENSING UNIT MODEL	COMPRESSOR BRAND/MODEL*			UNIT CONNECTIONS				RECEIVER CAPACITY 90% FULL		APPROX. SHIPPING WEIGHT			
				SUCTION (OD)		LIQUID (OD)				OUTDOOR		INDOOR	
	Copeland	Maneurop	Bristol	Inches	mm	Inches	mm	Lbs.	Kgs	Lbs.	Kgs	Lbs.	Kgs
BMH * 005H2	ARE59C3	N/A	N/A	1/2	13	3/8	10	3	1.36	75	34.0	63	28.6
BMH * 008H2	RS47C2	N/A	N/A	5/8	16	3/8	10	3	1.36	97	44.0	85	38.6
BMH * 011H2	RS70C1	N/A	H29B14U	5/8	16	3/8	10	6	2.72	120	54.4	108	49.0
BMH * 015H2	CR18KQ	N/A	H29B18U	5/8	16	3/8	10	6	2.72	137	62.1	122	55.3
BMH * 020H2	CR24KQ	N/A	H29B24U	5/8	16	3/8	10	12.5	5.67	199	90.3	179	81.2
BMH * 025H2	CR32KQ	N/A	N/A	7/8	22	3/8	10	16	7.26	210	95.3	190	86.2
BMH * 031H2	CR37KQ	N/A	H29B35U	7/8	22	1/2	13	16	7.26	210	95.3	190	86.2
BMH * 035H2	CR41KQ	N/A	H23A423	7/8	22	1/2	13	16	7.26	214	97.1	194	88.0
BMH * 040H2	CR53KQ	N/A	H23A543	1 1/8	29	1/2	13	24	10.89	285	129.3	260	117.9
BMH * 050H2	CRN5-0500	N/A	H23A623	1 1/8	29	1/2	13	24	10.89	319	144.7	294	133.4
BMH A 006E6	RS43C2E	N/A	N/A	5/8	16	3/8	10	2.7	1.22	95	43.1	83	37.6
BMH A 008E6	RS55C2E	N/A	N/A	5/8	16	3/8	10	2.7	1.22	95	43.1	83	37.6
BMH A 009E6	RS64C2E	N/A	N/A	5/8	16	3/8	10	5.4	2.45	95	43.1	83	37.6
BMH A 010E6	RS70C1E	N/A	N/A	5/8	16	3/8	10	5.4	2.45	95	43.1	83	37.6
BMH * 016^6	CS10K6E	MTZ18	N/A	5/8	16	3/8	10	5.4	2.45	146	66.2	131	59.4
BMH * 021^6	CS12K6E	MTZ22	N/A	7/8	22	3/8	10	11.3	5.13	208	94.3	188	85.3
BMH * 025^6	CS14K6E	MTZ28	N/A	7/8	22	1/2	13	14.4	6.53	212	96.2	192	87.1
BMH * 031^6	CS18K6E	MTZ36	N/A	7/8	22	1/2	13	14.4	6.53	215	97.5	195	88.5
BMH A 035^6	CS20K6E	N/A	N/A	7/8	22	1/2	13	14.4	6.53	216	98.0	196	88.9
BMH D 036^6	N/A	MTZ44	N/A	7/8	22	1/2	13	14.4	6.53	221	100.2	201	91.2
BMH * 040^6	CS27K6E	MTZ50	N/A	1 1/8	29	1/2	13	21.5	9.75	282	127.9	257	116.6
BMH * 050^6	CS33K6E	MTZ56	N/A	1 1/8	29	1/2	13	21.5	9.75	287	130.2	262	118.8
BMH A 006L6	AFT22C1E	N/A	N/A	1/2	13	3/8	10	2.7	1.22	86	39.0	74	33.6
BMH A 008L6	AFT26C1E	N/A	N/A	1/2	13	3/8	10	2.7	1.22	88	39.9	76	34.5
BMH A 010L6	CF04K6E	N/A	N/A	5/8	16	3/8	10	5.4	2.45	120	54.4	108	49.0
BMH D 015L6	N/A	L TZ22	N/A	7/8	22	3/8	10	5.4	2.45	119	54.0	104	47.2
BMH A 020L6	CF06K6E	N/A	N/A	7/8	22	3/8	10	5.4	2.45	123	55.8	108	49.0
BMH * 025L6	CF09K6E	L TZ28	N/A	7/8	22	3/8	10	11.3	5.13	224	101.6	204	92.5
BMH * 031L6	CF12K6E	L TZ40	N/A	7/8	22	1/2	13	14.4	6.53	224	101.6	204	92.5
BMH D 040L6	N/A	L TZ50	N/A	1 1/8	29	1/2	13	21.5	9.75	285	129.3	260	117.9

\* May be A, D or S depending on compressor availability

^ May be E or M.

# TYPICAL SYSTEM WIRING DIAGRAM

## SINGLE PHASE LESS CONTACTOR (208-230/1/60)



# TYPICAL SYSTEM WIRING DIAGRAM

## SINGLE PHASE WITH CONTACTOR (208-230/1/60)

