



Lead Lag Control Panel

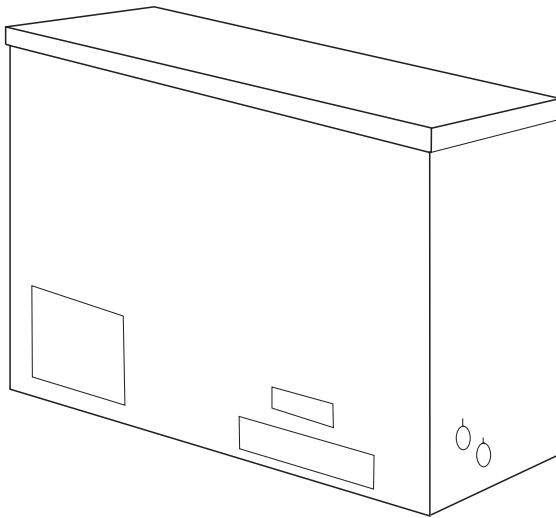
PRODUCT DATA & INSTALLATION

Bulletin B40-BLC-PDI-3

1068827

Model BLC

**Electrical Power: 115/1/60,
208-230/1/60,
200-220/1/50**



NOMENCLATURE

BLC 1 - I S2 A

Model

Bally Lead Lag Control Panel

Model Code

1 = Standard
2 = With Alarm/Auto Back-Up

Application

I = Indoor

Voltage

S1 = 115/1/60
S2 = 208-230/1/60
S6 = 200-220/1/50

Series / Generation

A = 1st Generation

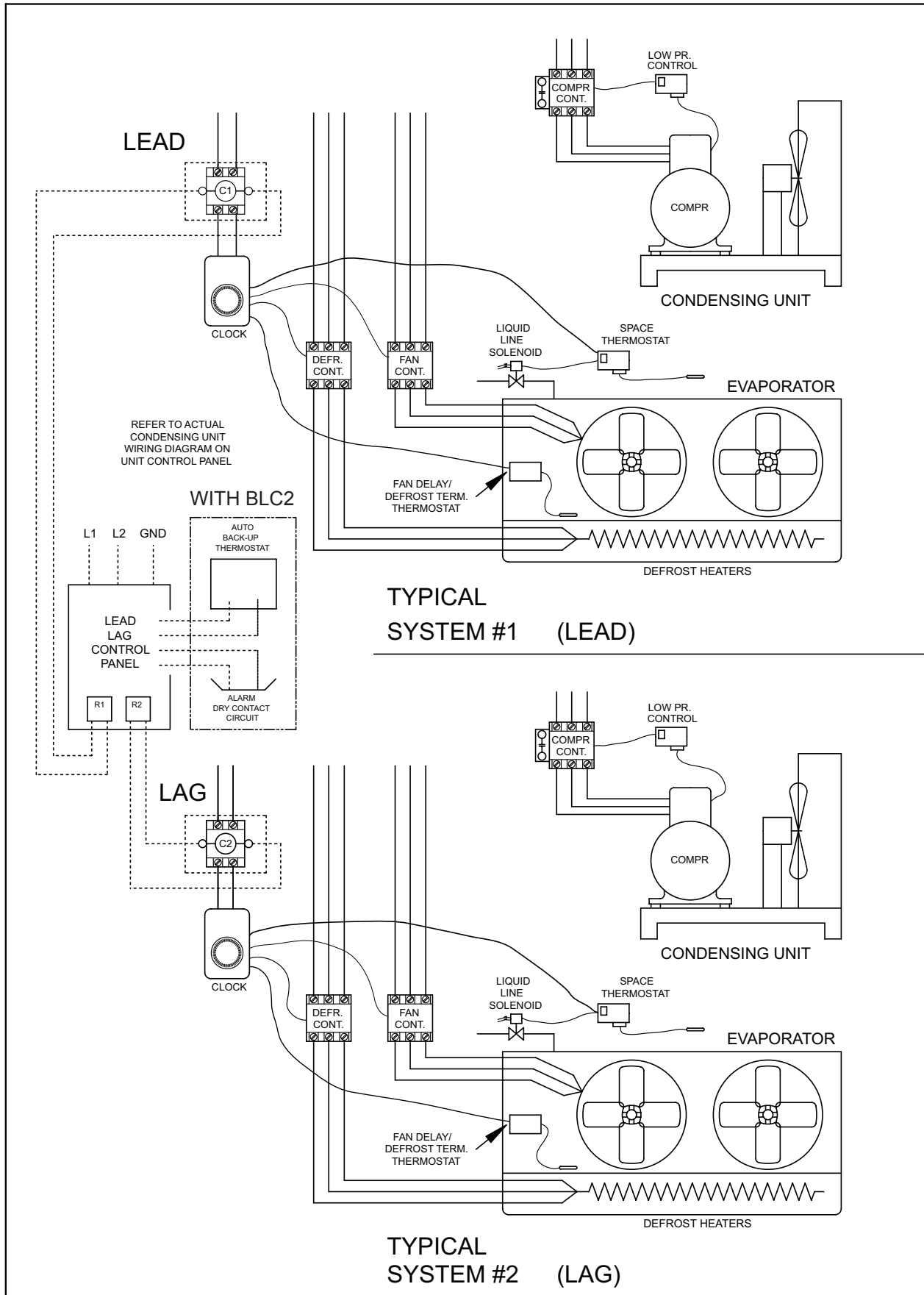
- For use on TWO independent refrigeration systems using pumpdown control mode. (Thermostat wired into liquid line solenoid valve).
- Panel can be mounted at condensing unit on indoor installations or can be mounted remote inside on a wall when used with outdoor condensing units.
- Designed to alternate each system automatically at a preset 24 hour time period. (can be readjusted from a 6 to 300 hour time period).

Three position toggle switch provides:

1. Condensing Unit #1 runs only.
2. Lead Lag mode. (alternates unit #1 and unit #2 automatically).
3. Condensing unit #2 runs only.

- BLC1 model offers low cost simple operation by automatically (pre-set time) or manually alternating each unit.
- BLC2 model offers the same as BLC1 and includes supplemental refrigeration backup during abnormal load situations or in the event one refrigeration system fails. (Includes alarm dry contacts)
- Panel is suitable for use with Air, Electric and Hot Gas defrost systems.

TYPICAL SYSTEM LEAD-LAG WIRING

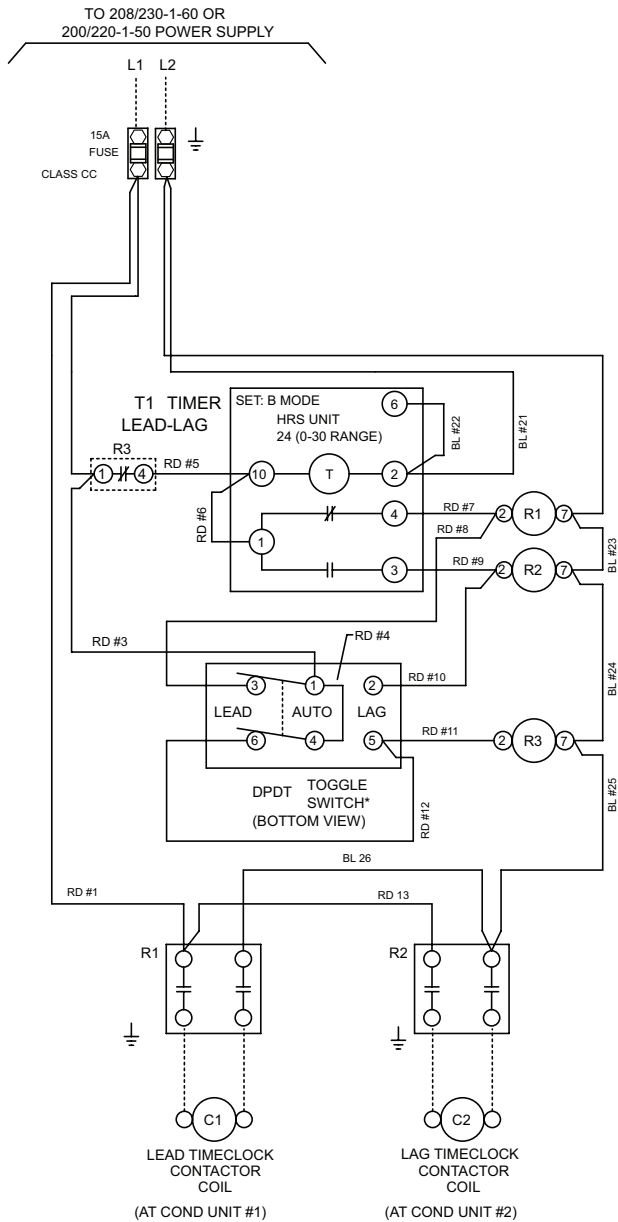


TYPICAL SYSTEM #1 (LEAD)

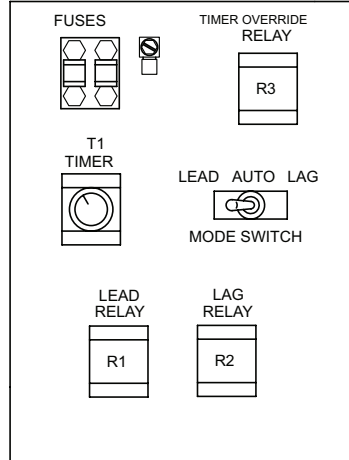
TYPICAL SYSTEM #2 (LAG)

CONTROL PANEL WIRING DIAGRAM: 230-1-60 Hz

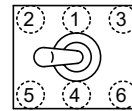
LEAD-LAG CONTROL PANEL- STANDARD BASIC PANEL 230V CONTROL CIRCUIT



CONTROL PANEL COMPONENT LAYOUT



*
LEAD AUTO LAG
MODE SWITCH
(TOP VIEW)



NOTES

1. USE COPPER CONDUCTORS ONLY
2. USE 90°C WIRE (OR HIGHER)
3. OPTIONAL COMPONENT MAY BE FACTORY INSTALLED OR SUPPLIED BY OTHERS
4. HEATER LOADS ARE NOT CONCURRENT WITH REFRIGERATION LOADS.
5. OVERCURRENT PROTECTION FOR EACH EVAPORATOR MUST NOT EXCEED MAXIMUM VALUE SHOWN ON EVAPORATOR NAMEPLATES.
6. MAY BE FACTORY INSTALLED-MOUNTED AND WIRED ON EVAPORATOR (PRE-ASSEMBLED MODELS) ON MULTIPLE PRE-ASSEMBLED EVAPORATORS WIRE SECOND EVAPORATOR SOLENOID IN PARALLEL WITH FIRST.
7. ALL FUSES TO BE CLASS CC OR J AND VOLTAGE RATED EQUAL (OR HIGHER) THAN OPERATING VOLTAGE.

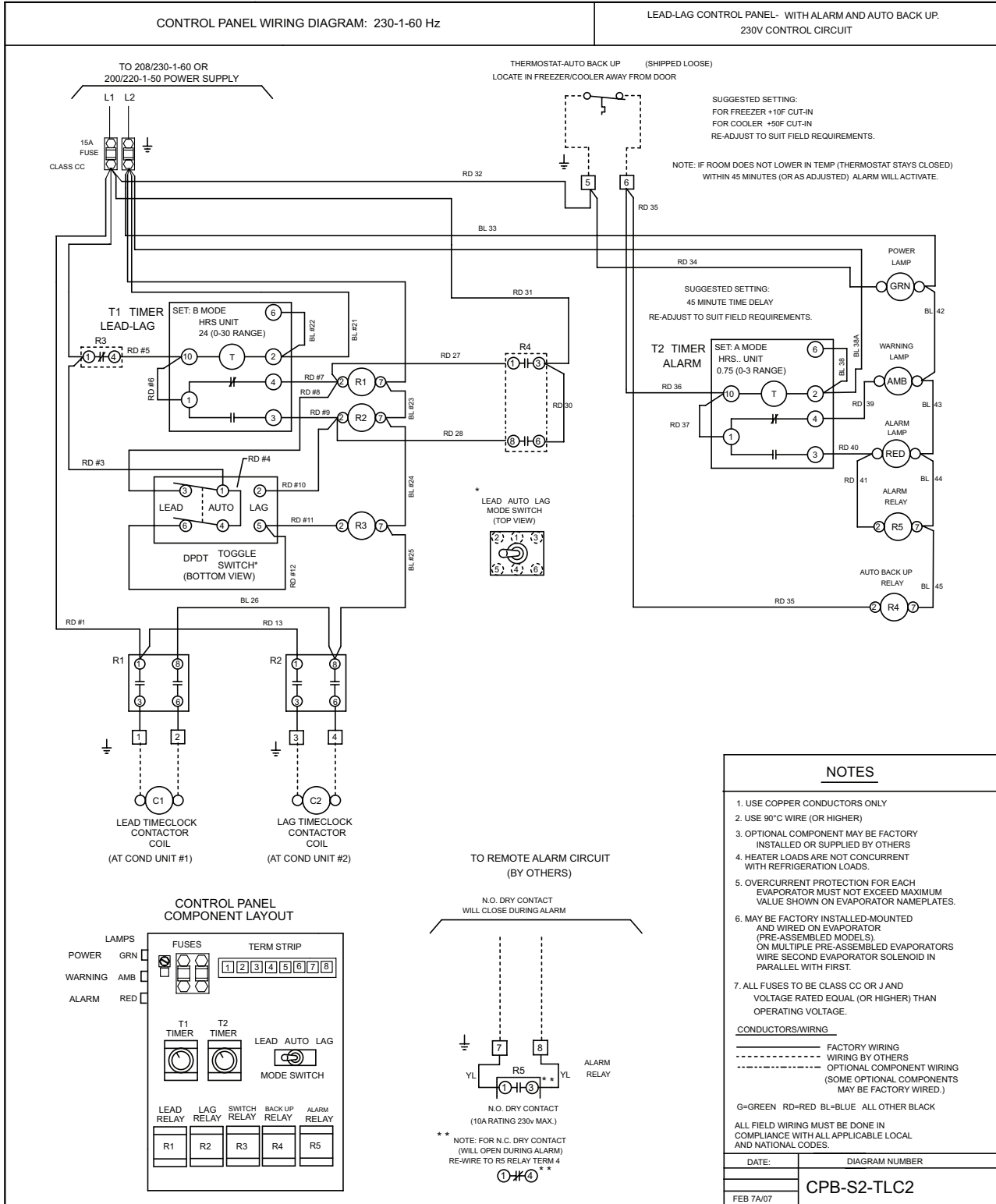
CONDUCTORS/WIRING

- FACTORY WIRING
- WIRING BY OTHERS
- OPTIONAL COMPONENT WIRING (SOME OPTIONAL COMPONENTS MAY BE FACTORY WIRED.)

G=GREEN RD=RED BL=BLUE ALL OTHER BLACK

ALL FIELD WIRING MUST BE DONE IN COMPLIANCE WITH ALL APPLICABLE LOCAL AND NATIONAL CODES.

DATE:	DIAGRAM NUMBER
Feb7/07	CPB-S2-TLC1





SERVICE PARTS LIST (50/60Hz)

BLC1 & BLC2

DESCRIPTION	120V	230V
Timeclock power Contactors (C1, C2)	1043345	1049602
Lead-Lag Timer (Dual volt/Freq) - T1	1065232	1065232
11 Pin Socket Base	1065233	1065233
Control Relay (R3)	1047767	104534
8 pin Socket Base	1062258	1062258
Lead / Lag Relay (R1, R2)	1043345	1049602
3 Position Toggle Switch	1067407	1067407

BLC2 ONLY

DESCRIPTION	120V	230V
Lead-Lag Timer (Dual volt/Freq) - T2	1065232	1065232
Control Relay (R4, R5)	1047767	104534
Alarm Temperature Control	1085500	1085500
Lamp - Red	1090031	1090273
Lamp - Green	1090032	1090274
Lamp - Amber	1090033	1090275

NOTES

NOTES



General Sales, Parts & Service Manufacturing & Engineering
135 Little Nine Drive, Morehead City, NC 28557
252-240-2829 • 1-800-24-BALLY • FAX: 252-240-0384
e-mail: ballysales@ballyrefboxes.com • www.ballyrefboxes.com

*Due to Manufacturer's policy of continuous product improvement,
the Manufacturer reserves the right to make changes without notice.*

DISTRIBUTED BY: _____

