

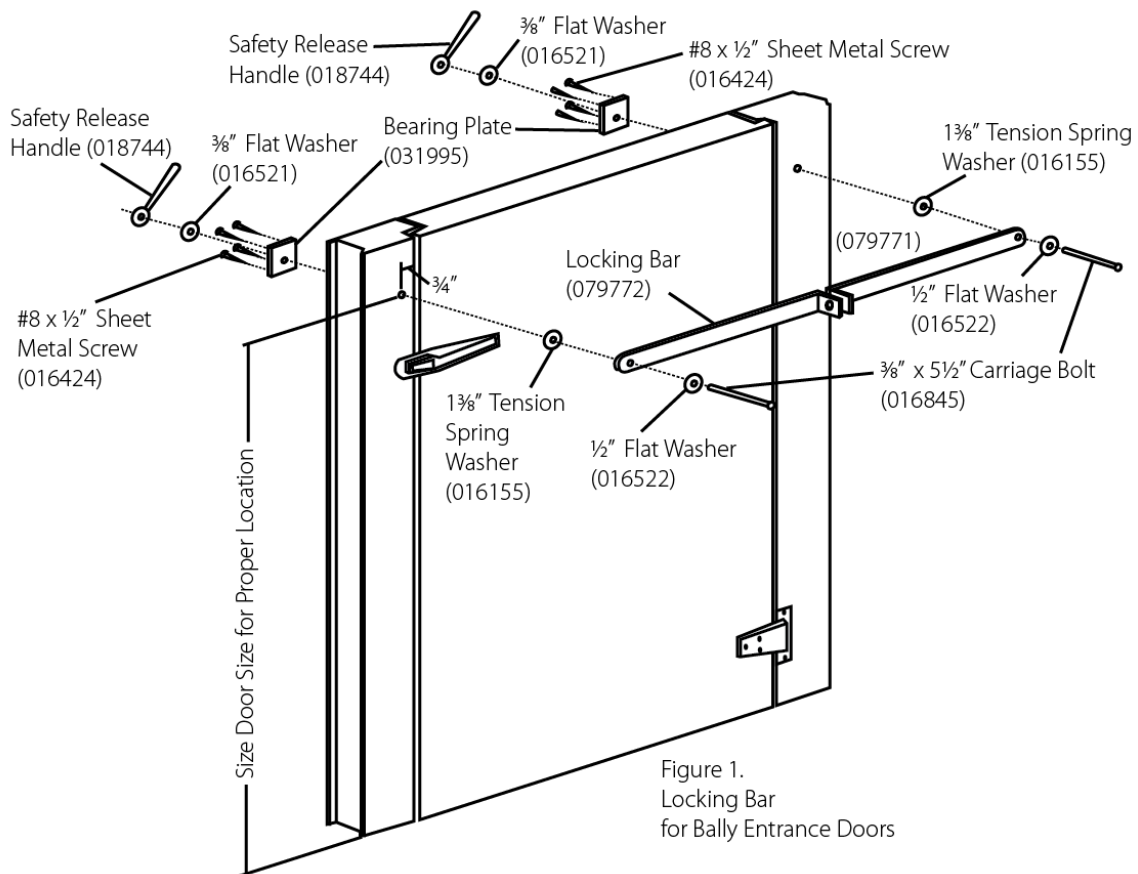


INSTRUCTION MANUAL Tamperproof Locking Bar N-80-103

New Tamperproof Locking Bars have been designed for Bally's hinged walk-in and reach-in doors. Because the new locking bars are installed with case hardened mounting bolts which are extremely difficult to cut, maximum walk-in security is provided.

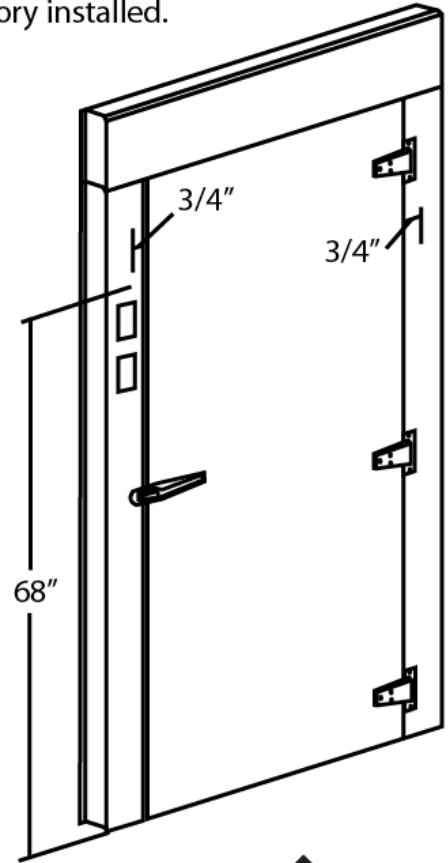
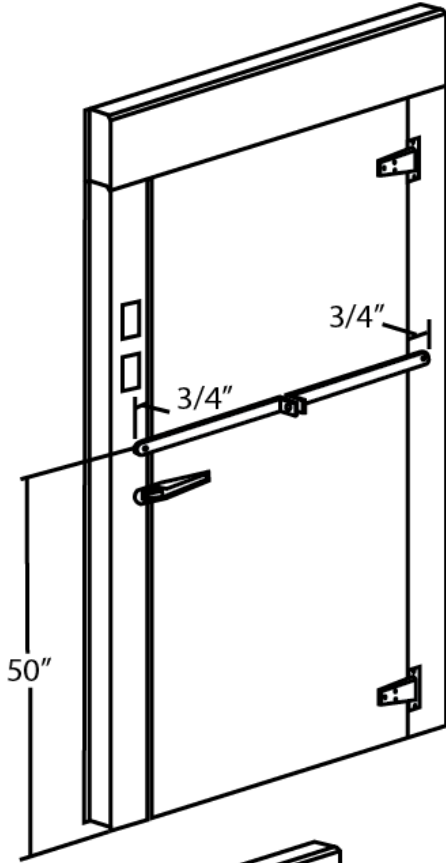
Manufactured for doors of 24", 30", 34", 36", 42", 48", and 60" widths, the bars are made of stainless steel. They are accurately positioned on the door for coordination with additional hardware and their simplified design creates a neater appearance.

1. The bar is fabricated as a two piece unit, offering a more effective barrier to vandals.
2. The 5½" x 3/8" (016845) diameter carriage bolts are now carbonized and cadmium plated for strength and durability.
3. A heavy aluminum bearing plate (031995) and a tension spring washer (016155) have been added at both ends of the bar for snug contact with the door.
4. To provide user safety, the carriage bolts (016845) are secured to the inside of the door panel with a convenient safety release handle (018744) at both ends.

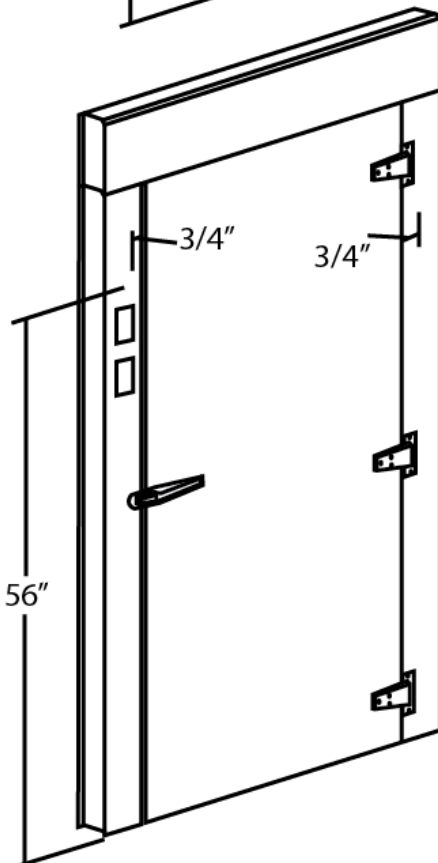


INSTRUCTION MANUAL
 Tamperproof Locking Bar
 N-80-103

Locking Bar Position
 For 24", 30", 34" or 36" x 78" or 84" doors
 standard or California code
 Thermometer factory installed.



Locking Bar Position
 For 3 hinged doors
 24", 30", 34", 36", 42", 48", 60" or 84" and all other 48" & 60" wide doors
 (Thermometer shipped loose for field installation for 60" doors only.)



Locking Bar Position
 For all 66" high doors.

Locking Bar Position not available for 60" wide x 66" high doors.