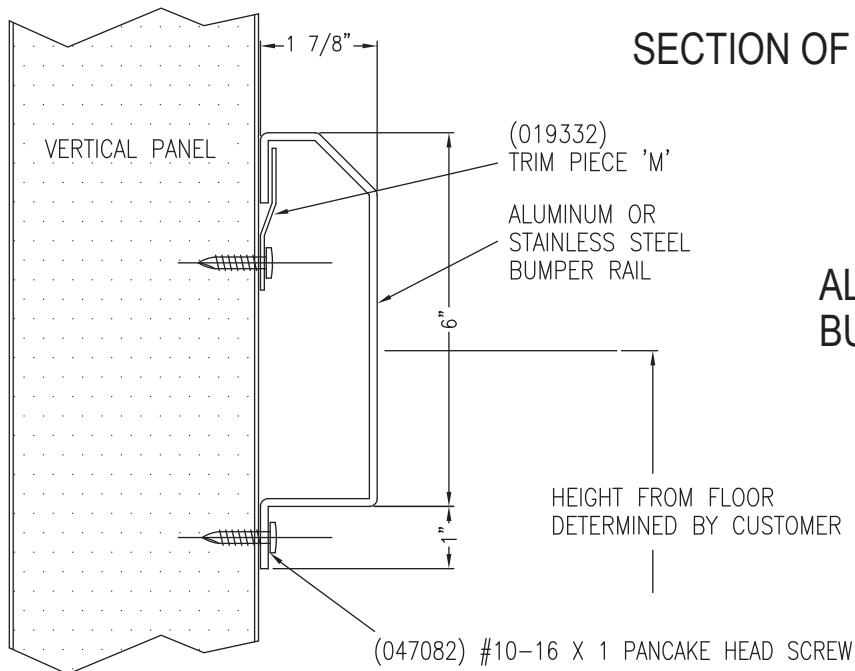


SECTION OF STANDARD RUB RAIL



ALUMINUM OR STAINLESS STEEL
 BUMPER RAIL MOUNTING DETAIL

SECTION OF CHAMFERED RUB RAIL