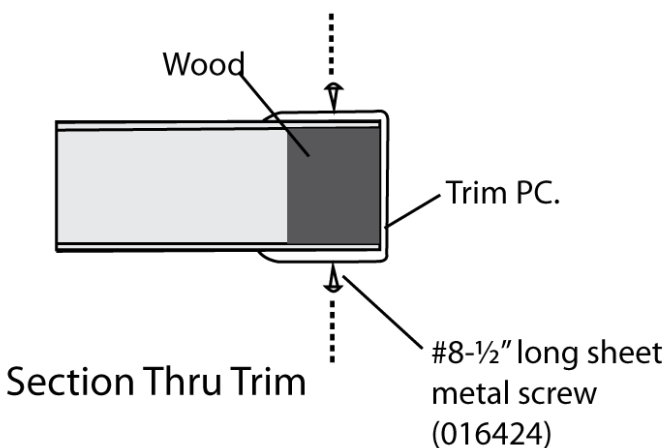
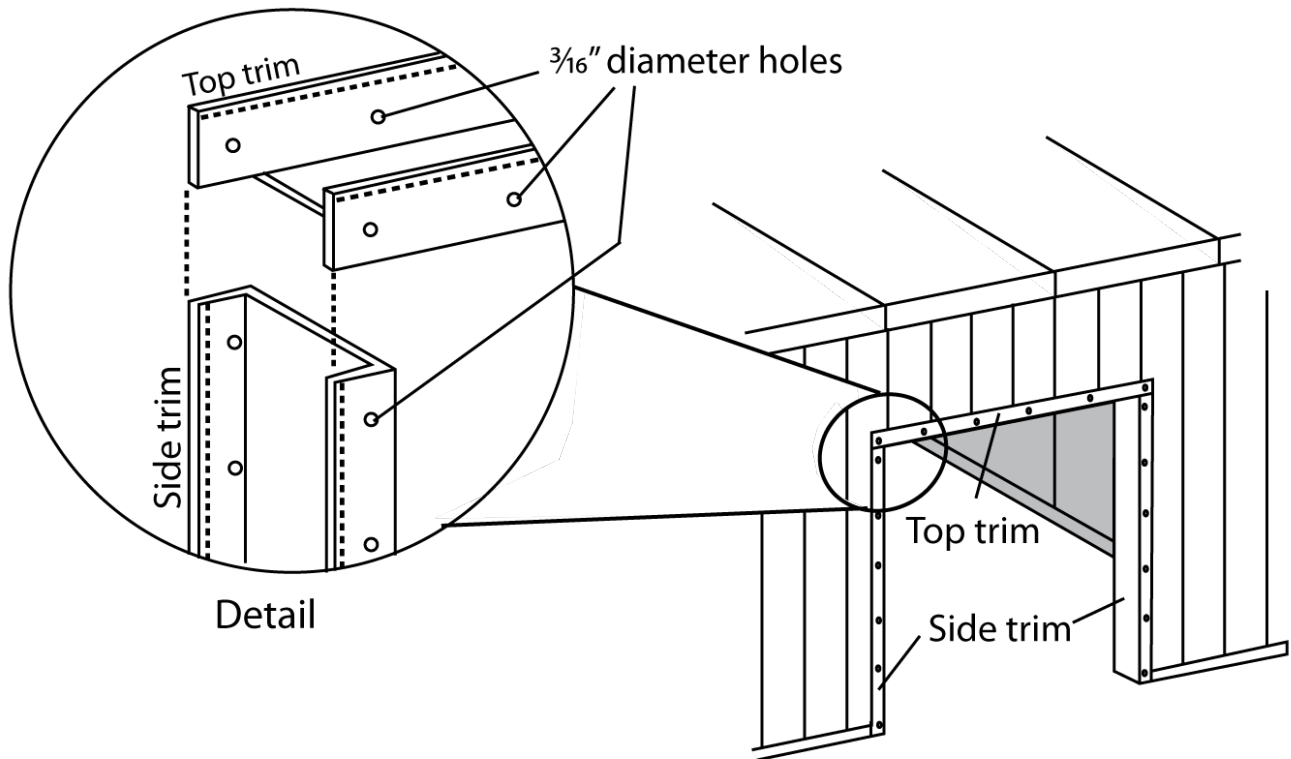


Requirements for Installing Metal Capped Openings



Top trim piece must be installed before side trim pieces.

Wood frame opening shown; same application for opening without wood

Caulking (if required) supplied by others and should be placed on warm side only

Metal Capped Wood Framed Opening
Bally will furnish trim, installed at job site by others.