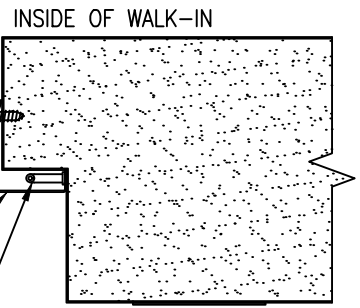
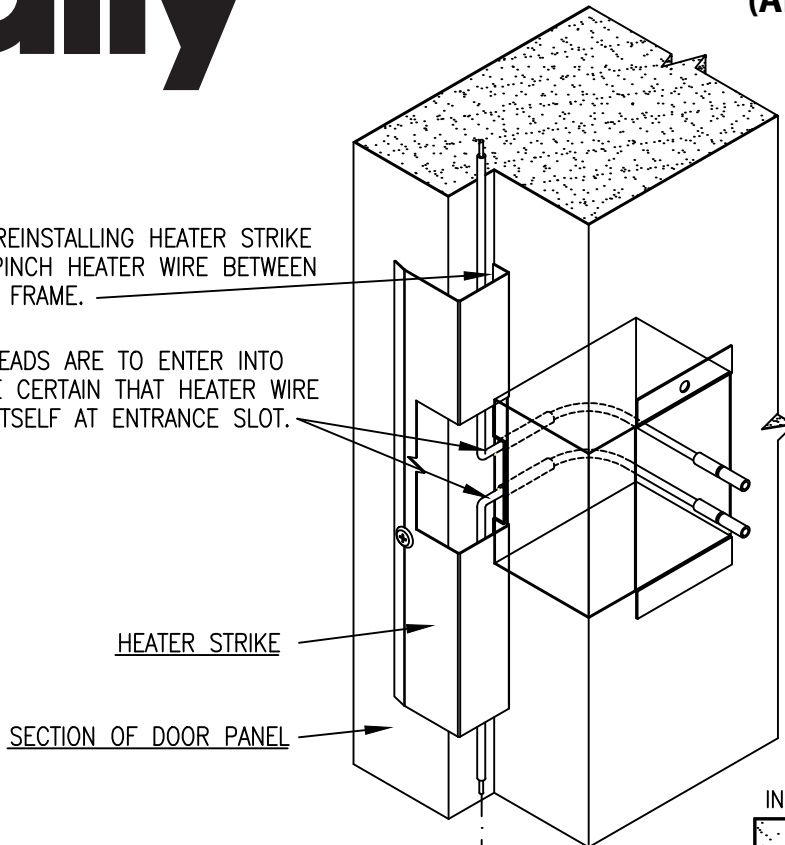


EXERCISE CAUTION WHEN REINSTALLING HEATER STRIKE MAKING CERTAIN NOT TO PINCH HEATER WIRE BETWEEN HEATER STRIKE AND DOOR FRAME.

ONLY HEATER WIRE LEADS ARE TO ENTER INTO ELECTRICAL BOX. MAKE CERTAIN THAT HEATER WIRE DOES NOT OVERLAP ITSELF AT ENTRANCE SLOT.



HEATER WIRE: ENSURE THAT HEATER WIRE IS INSTALLED BETWEEN THE DOOR PANEL AND DOOR STRIKE

HEATER WIRE & STRIKE SECTION VIEW

PROTECT HEATER WIRE WITH ALUMINUM TAPE. ENSURE THAT HEATER WIRE DOES NOT CREASE OR PINCH WHEN REINSTALLING STEP PLATE AND HEATER STRIKES.

