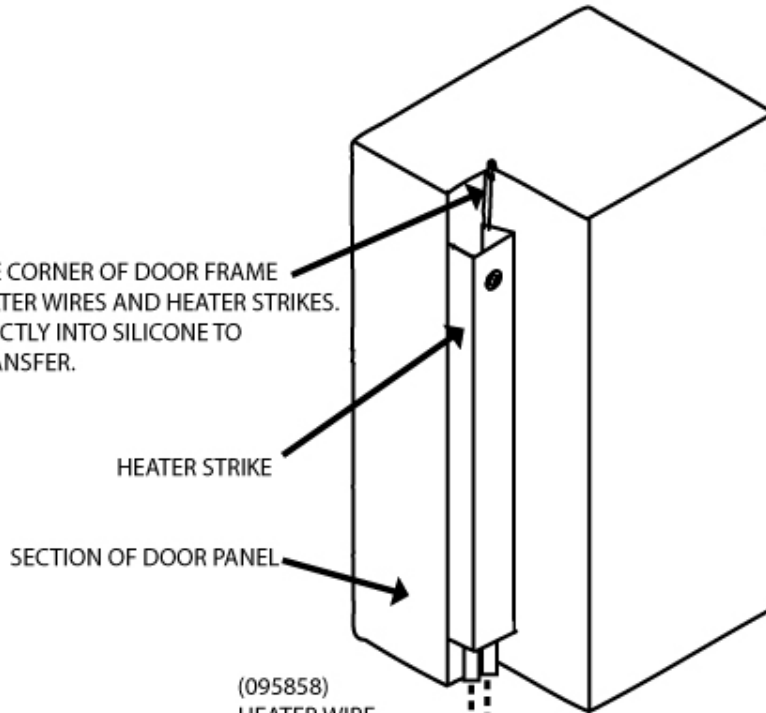
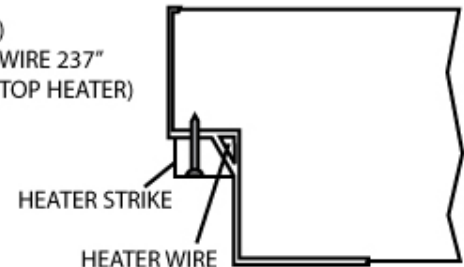
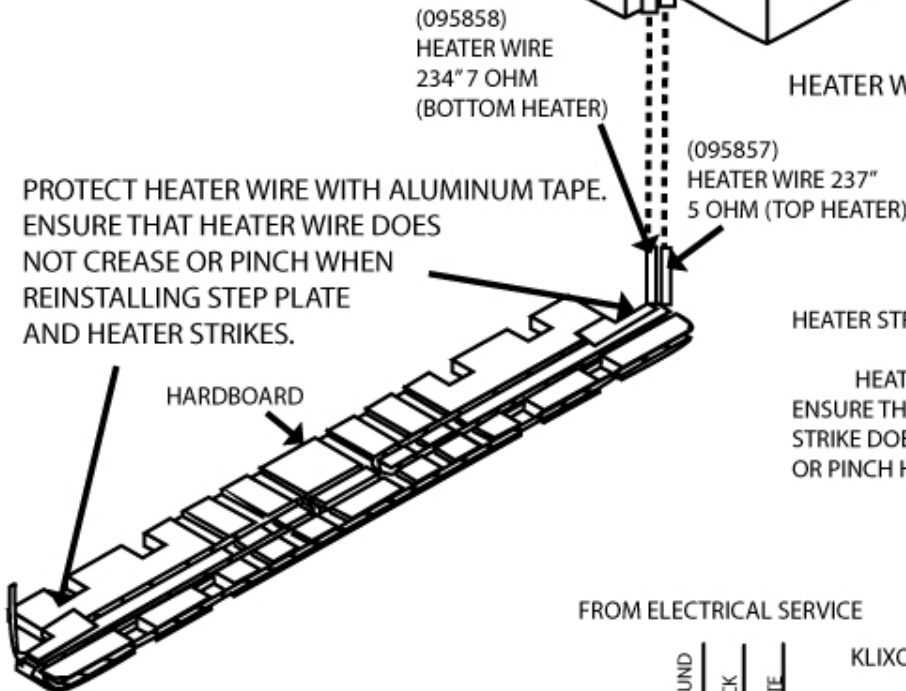


APPLY SILICONE TO INSIDE CORNER OF DOOR FRAME PRIOR TO INSTALLING HEATER WIRES AND HEATER STRIKES. PRESS HEATER WIRES DIRECTLY INTO SILICONE TO ENSURE PROPER HEAT TRANSFER.



HEATER WIRE & STRIKE SECTION VIEW

PROTECT HEATER WIRE WITH ALUMINUM TAPE. ENSURE THAT HEATER WIRE DOES NOT CREASE OR PINCH WHEN REINSTALLING STEP PLATE AND HEATER STRIKES.



ENSURE THAT HEATER STRIKE DOES NOT CHAFE OR PINCH HEATER WIRE INSTALLATION.

ELECTRICAL DIAGRAM

