

Installation of the Bally Aluminum Weatherproof Roof

All Bally Walk-ins installed outdoors must be provided with suitable weatherproof roofing. This manual shows how to install Bally's sectional aluminum type.

- A. Before positioning first roof section, apply Bally-provided 3-foot wide (016763) felt paper to the ceiling. Extend paper a minimum of 6 inches down the sides of the walk-in.
- B. Position the first aluminum roof section (the end section with upturned male flange. See Fig. 1).
- C. Position a (004471) metal hold-down clip over the flange approximately 4" from the end of the section. Space additional clips evenly across ceiling length. Drill 3/32" holes into the metal of ceiling panels through the holes in the clips and insert two (016424) #8-1/2" sheet metal screws. When building is designed for wind speeds of 90 mph or higher, install a hold-down clip every 11 1/2".
- D. Place the special (016321) "U" rubber gasket on the turned up flange of the installed roof section. On the installed roof section, mark the positions of the hold-down clips.
- E. The next section to be installed is a center section (It has a female flange on one side). Position the section so this flange fits over the rubber gasket on the installed section. Using a hammer and a block of wood, seat the female flange firmly onto the male flange of the previous section. Drill a 5/32" hole through the entire joint at the positions of the hold-down clips only, and insert (016433) #6-32 bolt, (016504) #6 hex nut and (016519) #6 flat washer through each hole. See Fig. 2. Apply roofing cement around bolt. Note: Dimensional accuracy must be maintained throughout the installation to insure proper fit of roof.

F. IMPORTANT NOTE:

The aluminum roof sections are fabricated to allow for minor variations in the length of the walk-in. If care is not taken, the last section of aluminum roof may be too big or too small. As additional aluminum roof sections are installed (and prior to installing the center hold down clips), pay close attention to where each section ends in relation to the wall panel joints. THE STANDING SEAMS SHOULD EITHER LINE UP WITH A WALL JOINT OR BE A MULTIPLE OF 11 1/2" FROM A WALL JOINT. The joint between aluminum roof pieces may be slightly compressed or pulled apart in order to hold the relationship between aluminum roof joints and wall joints. (See Figure 1)

THE RELATIONSHIP BETWEEN ALUMINUM ROOF JOINTS AND WALL PANEL JOINTS DESCRIBED ABOVE APPLIES TO ALL ALUMINUM ROOFS, SINGLE SPAN OR MULTI-SPAN.

- G. Continue with this procedure until all the roof sections are installed.
- H. Fasten the side flanges to the walk-in by drilling 3/32" holes through the re-drilled holes of the roof sections into the walk-in. Insert #8-1/2" sheet metal screws (finish to match roof finish).
- I. Trim excess felt paper around roof edges.

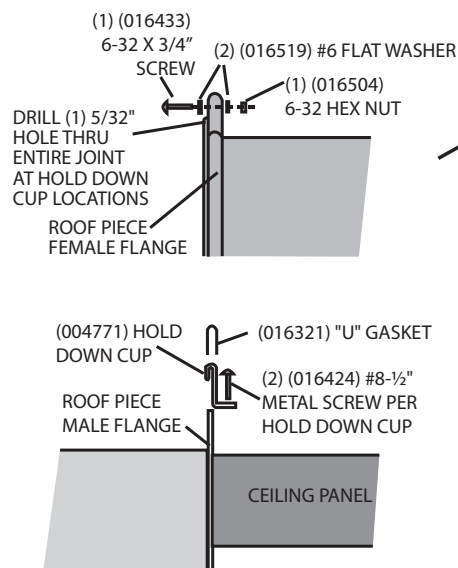


FIGURE 2

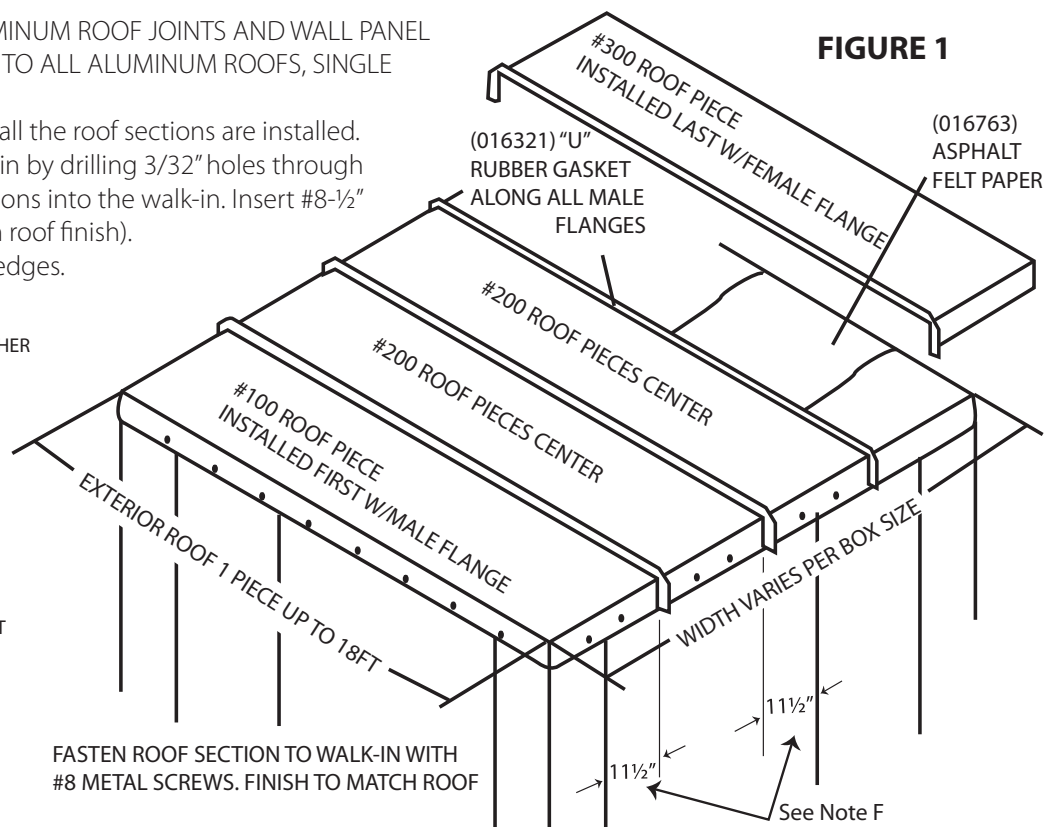


FIGURE 1

Multiple-length Sections

- A. Before positioning first roof section, apply Bally-provided 3-foot wide (016763) felt paper. Extend paper a minimum of 6 inches down the sides of the walk-in.
- B. Position no. 1 end roof section. It has two male flanges to accept (016321) U rubber gasket, one on the 23½" end and one along the length.
- C. Position two (004771) hold-down clips over the flange that runs along length of section. Space the clips out evenly. Drill 3/32" holes into the metal of ceiling through the holes in the clips and insert two (016424) #8-½" sheet metal screws.
- D. Place the special (016321) "U" rubber gasket on the turned up flanges of the installed roof section.
- E. Slide a (017782) center roof anchor assembly under the roof section and place it at the corner as shown in Fig. 3. Drill 3/32" holes into ceiling metal at the positions of the center hold-down clips and fasten with (016424) #8-½" sheet metal screws.
- F. Install no. 2 end roof section. Be sure the female flange is properly sealed on the male flange of the first piece (ensure that the (016321) "U" rubber gasket is properly seated). Install (016321) "U" rubber gasket along the long male flange of the second roof section. Mark the positions of the (004771) hold down clips of both roof sections.
- G. Install roof section no. 3. Make sure it is seated properly on the first roof section installed. Install (004771) hold-down clips and (017782) center roof anchors as before.
- H. Install roof section no. 4 using the same procedure.
- I. Place (016321) "U" rubber gasket along the male flanges of these roof sections.
- J. Place the (024013) sponge rubber gasket over the protruding (016445) bolt of the first roof anchor installed. Place the (024012) fastening clip over the sponge rubber and secure with (027997) nut.
- K. Drill 5/32" hole through entire joint at position of hold-down clips only, and insert (016433) #6-32 bolt, (016504) nut and (016519) #6 flat washer. Apply the roof cement. See Fig. 2.

(See "F" on page 1- IMPORTANT NOTE)

- L. Repeat these steps until all roof sections are installed.
Note: dimensional accuracy must be maintained throughout installation to insure proper fit of the roof.

- M. Drill 3/32" holes through pre-punched holes in roof section side flanges into walk-in. Insert #8-½" sheet metal screws.

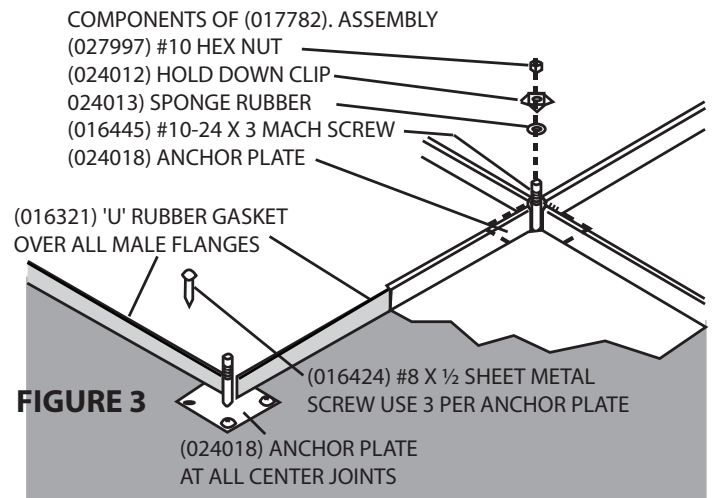


FIGURE 3

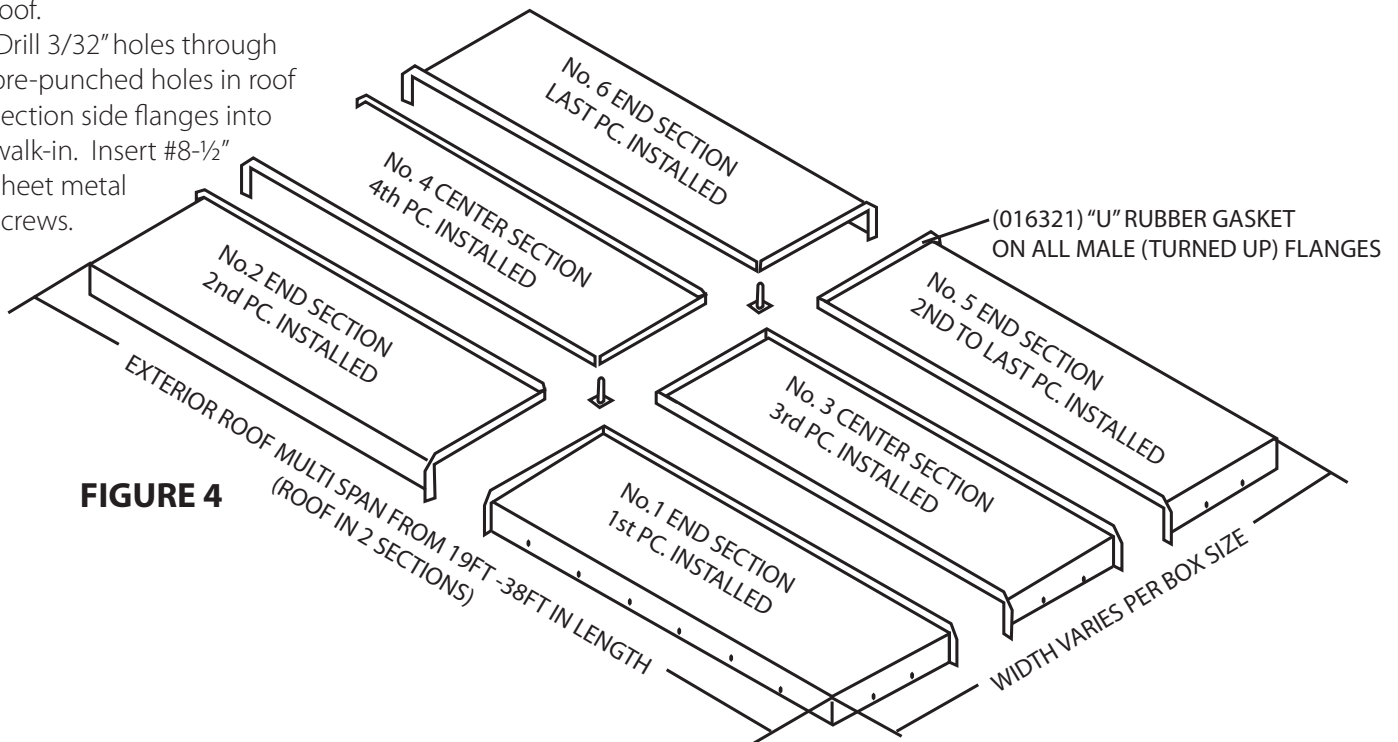


FIGURE 4