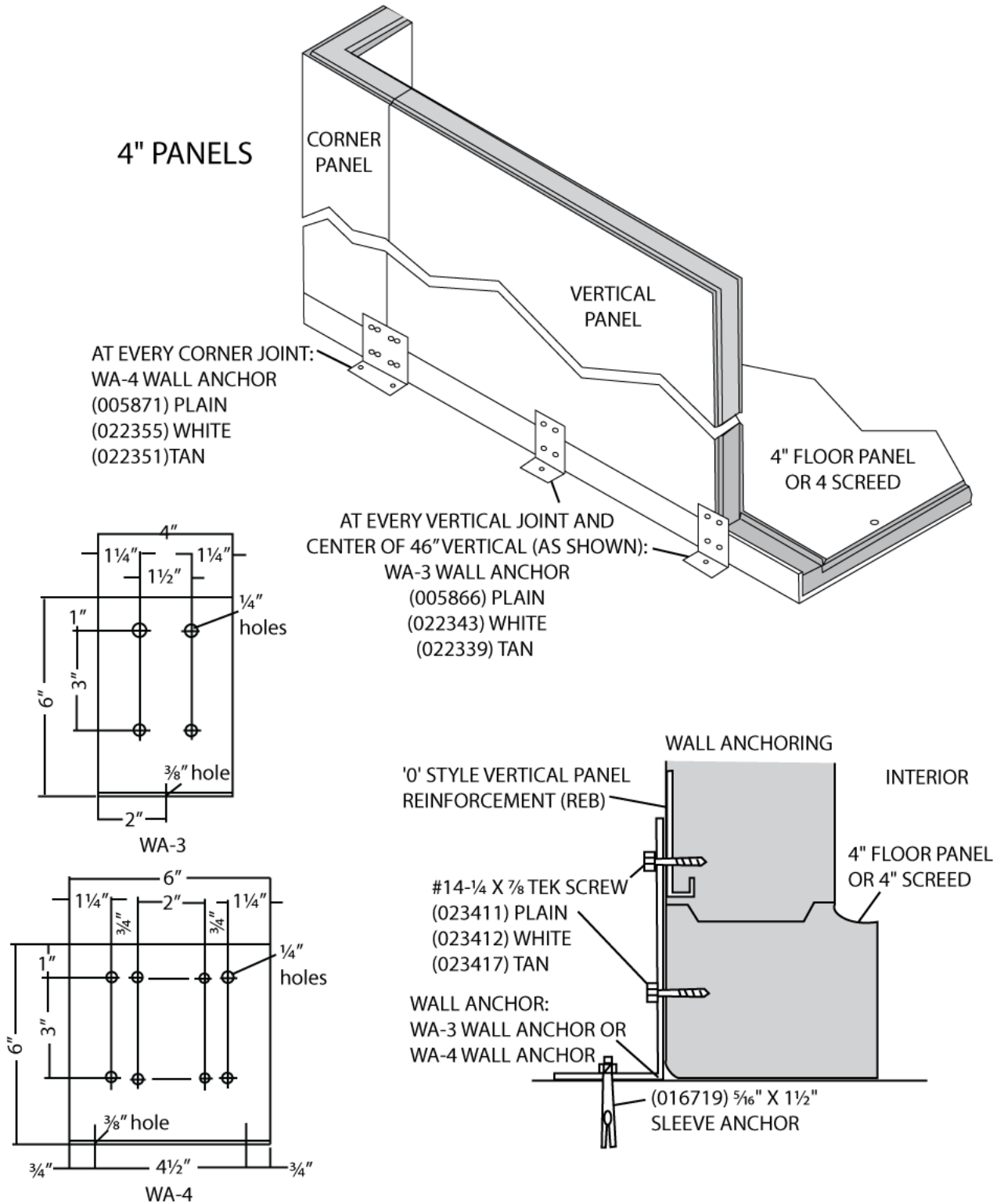


Exterior Wall Anchoring with Floor or 4" Screeds

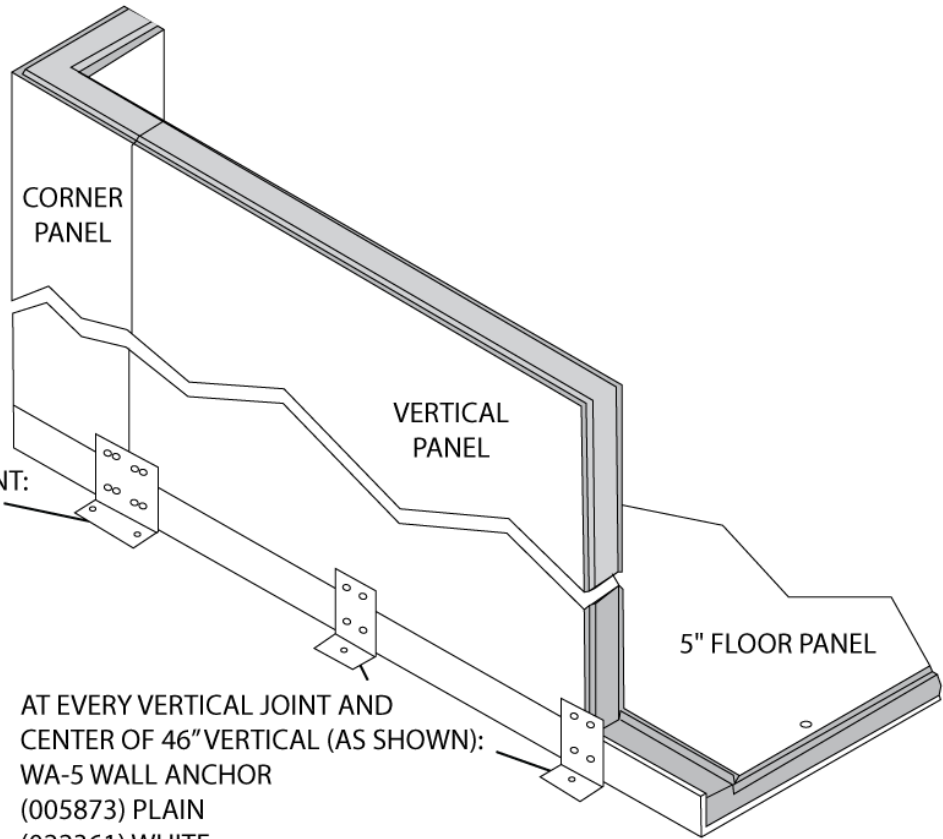


INSTRUCTION MANUAL

Exterior Wall Anchoring With Floor 4" Screeds

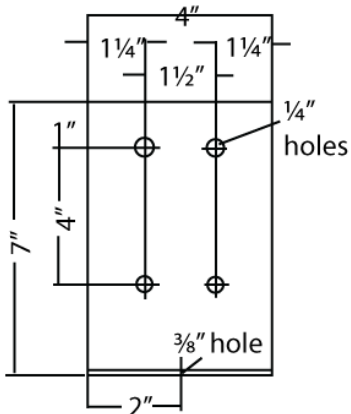
IM-263-88

5" PANELS

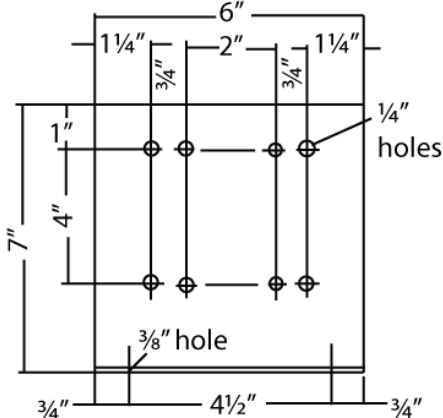


AT EVERY CORNER JOINT:
WA-6 WALL ANCHOR
(005876) PLAIN
(022367) WHITE
(022363) TAN

AT EVERY VERTICAL JOINT AND
CENTER OF 46" VERTICAL (AS SHOWN):
WA-5 WALL ANCHOR
(005873) PLAIN
(022361) WHITE
(022357) TAN



WA-5



WA-6

