

**Hardware Included:**

- Aluminum Channel
- Strip Curtains
- End Caps
- Mounting Screws
- Anchoring Screws

**Required Materials:**

- Easimount® Vinyl Strip Curtain System
- Drill with drill bits and Phillips head bit/screwdriver
- Marking instrument

1. Using the aluminum channel as a template, make sure channel is level and centered above opening. Bar height should allow strips to clear floor 1/4" (Fig. 1). Mark hole patterns with pencil.

2. Drill holes and mount channel with proper fasteners.

\*For flush mount freezer doors, shim aluminum channel off jamb 1/4" to increase space between vinyl strips and freezer door, see below. (shim not included)

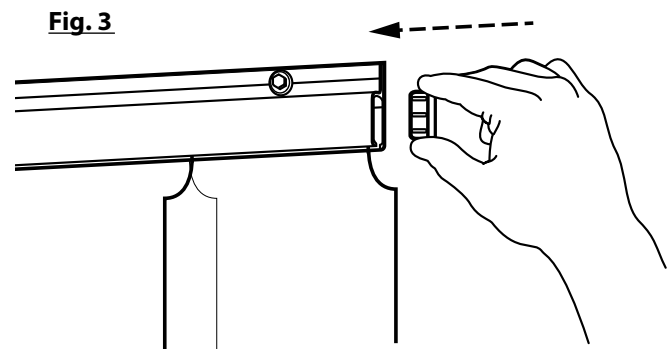
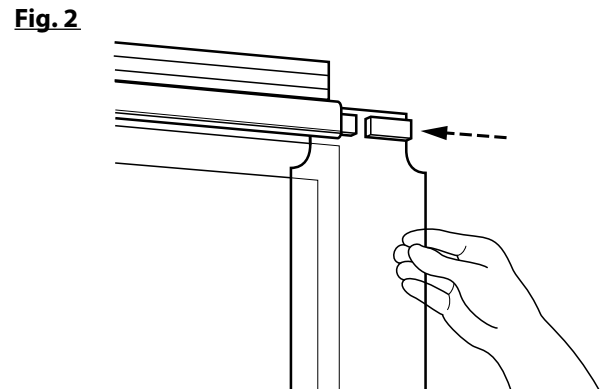
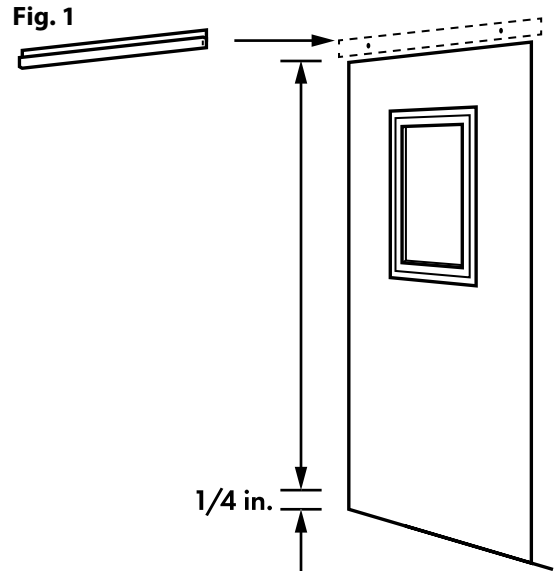
3. Insert one end cap at either end of channel.

4. Insert strips through uncapped end of channel (Fig. 2).

5. After verifying that all strips are evenly placed and overlapping properly, insert other end cap and trim strips, if needed, for proper floor height (Fig 3).

6. Optional: Insert self-tapping screws at each end of channel through last strip for added retention.

\*\*CLEANING: We recommend cleaning vinyl curtains with soap and water on regular basis. For stubborn stains use a 5% ethanol (Windex type product) and water. Wipe curtain dry. Mop up any residual water on the floor.\*\*



**GreenGuard®**

