



INSTRUCTION MANUAL
Condensing Unit Stand
IM-204-23-TR

Assembly Instructions for Trenton Condensing Unit Stand TR-200 / TR-600



CONDENSING UNIT STAND BACKGROUND

Trenton Condensing Unit Stands are designed to maximize floor space, improve technician ergonomics, and help reduce the risk of unit damage. Trenton Condensing Unit Stands come in two model sizes; the TR-200 and the TR-600. Both Trenton Condensing Unit Stands have two mounting levels and can hold a variety of Condensing Unit Chassis.

The TR-200 is compatible with Chassis 1 and Chassis 2 Condensing Units. The TR-200 can support one of either Chassis 1 or Chassis 2 per level.

The TR-600 is compatible with Chassis 1, Chassis 2 and Chassis 3 Condensing Units. The TR-600 can support up to two Chassis 1 units per level or one Chassis 2/Chassis 3 unit per level.

Each can be surface mounted with standard 3/8" hardware, *(not included)*. The units will come disassembled.

INSTALLATION INSTRUCTIONS FOR THE TR-200-4 / TR-600-4

Use Figures 1 & 2 for Building Clarification

Step 1

To assemble the top and bottom horizontal frame elements, lap piece B's (004642 / 004644) over top of pieces A's (004641 / 004643) and secure with eight 3/8" dia. x 3/4" (016479) hex bolts, lock washers (016530) and nuts (016510) per level.

Step 2

Position legs, pieces C (004640 / 004645) against the outside corners of the top and bottom horizontal frame elements and secure each leg to the frame elements with eight 3/8" dia. x 3/4" hex bolts (016479), lock washers (016530) and nuts (016510). Anchoring tabs can be oriented in multiple directions (*See Fig. 3*) and will affect the overall dimension (*See Table 1*).

Fig. 1

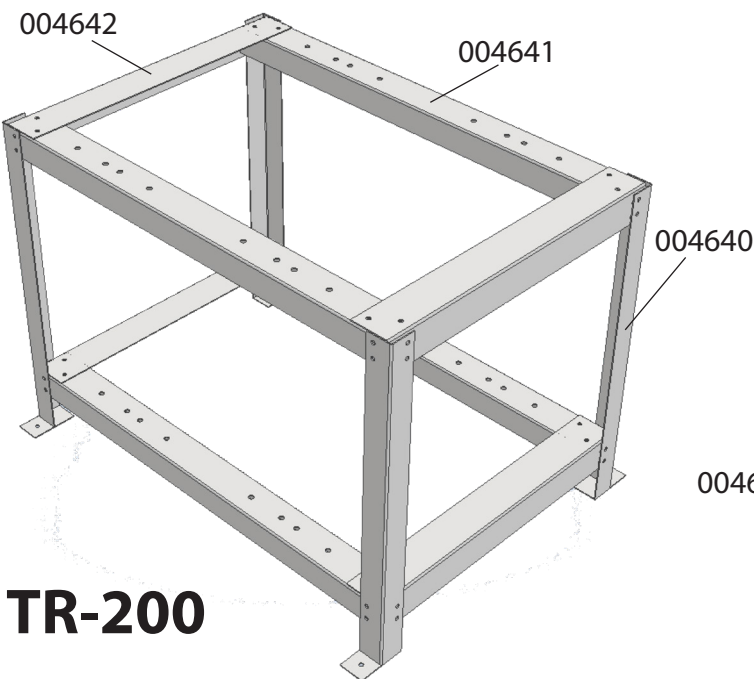
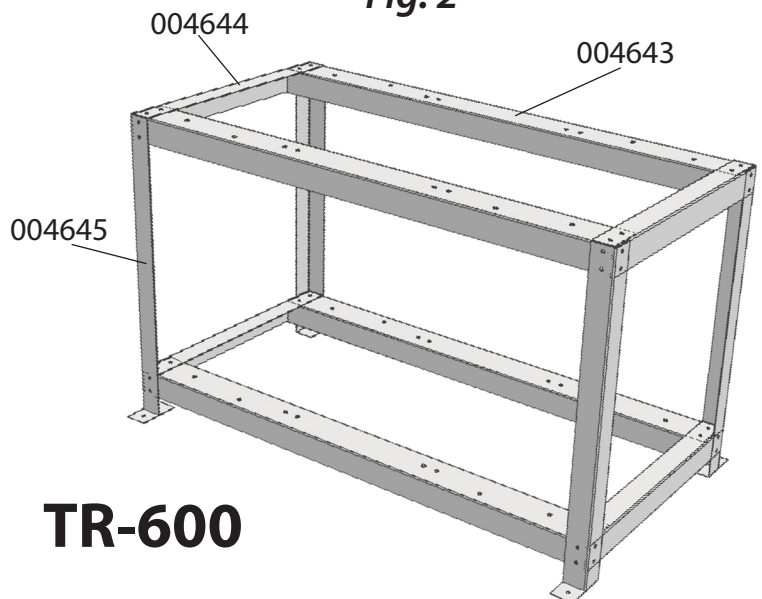
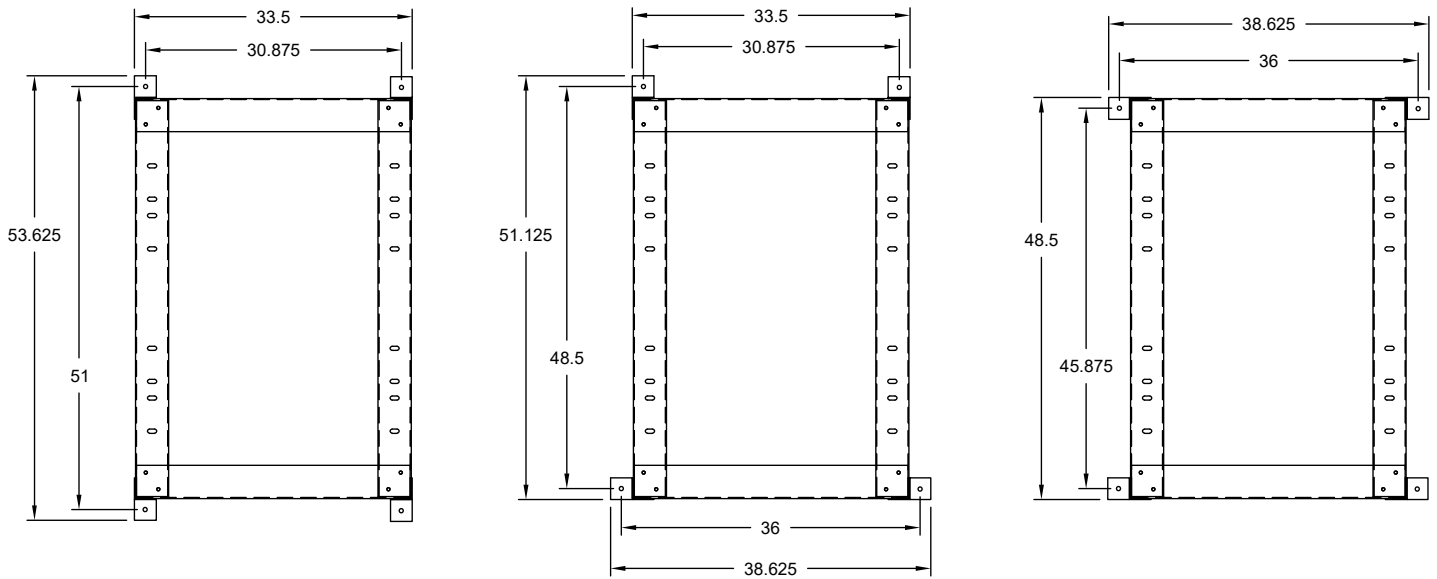


Fig. 2

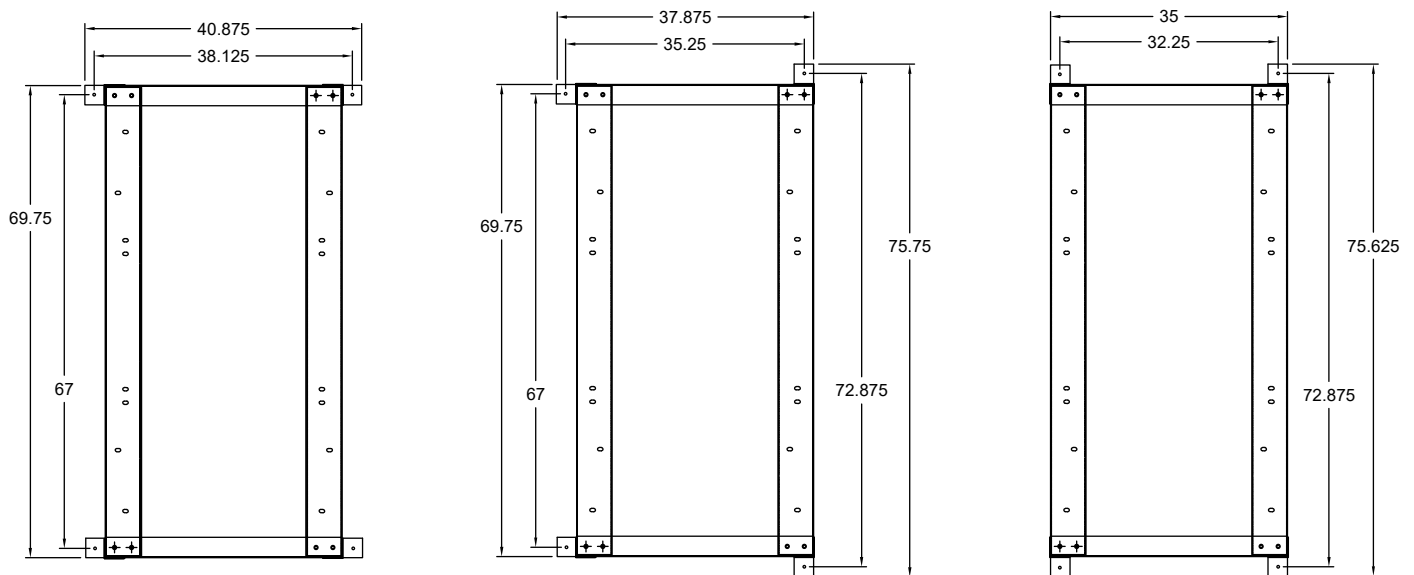


TR Stand legs can be configured in three possible orientations to fit multiple mounting layouts. Each stand can be surface mounted with standard 3/8" hardware, not included in this kit.

TR-200 is 35" height and can be assembled in one of the following ways:



TR-600 is 42" height and can be assembled in one of the following ways:



INSTALLING CONDENSING UNITS ON THE TR-200 / TR-600

Hint

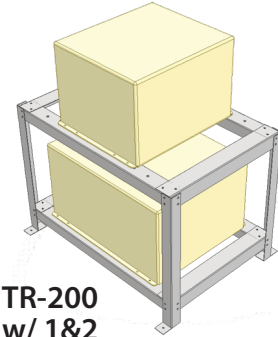
- Secure Condensing Unit Stand to final location prior to the installation of Condensing Units.
- Mount Lower-Level Condensing Units first to aid with install.

Step 1

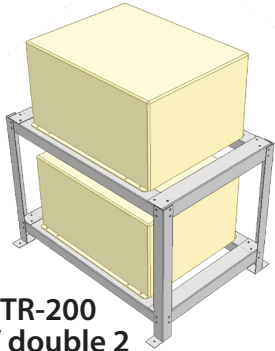
Place the Condensing Unit on the Condensing Unit Stand and secure using 3/8" dia. x 3/4" hex bolts (016479), nuts (016510), flat washers (016521), and lock washers (016530). See *Mounting Configuration* for clarification.

MOUNTING CONFIGURATIONS

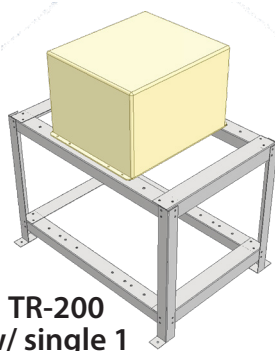
(Chasis 1, 2 & 3 Mounting)



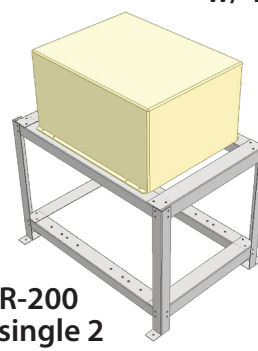
TR-200
w/ 1&2



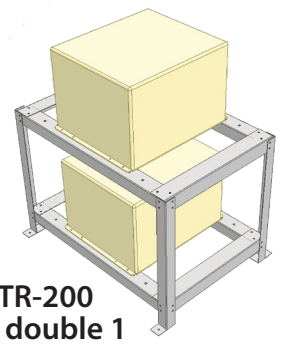
TR-200
w/ double 2



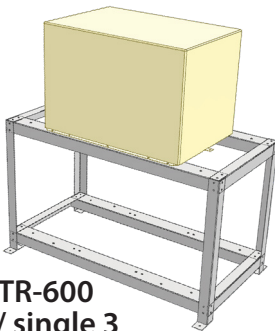
TR-200
w/ single 1



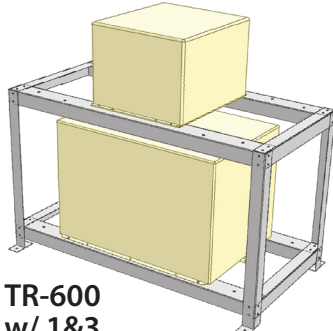
TR-200
w/ single 2



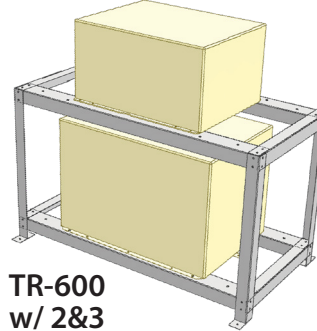
TR-200
w/ double 1



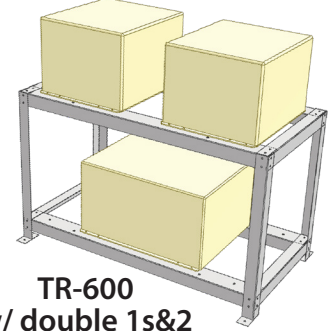
TR-600
w/ single 3



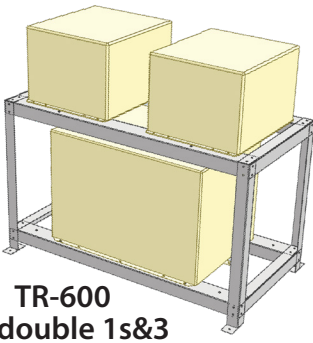
TR-600
w/ 1&3



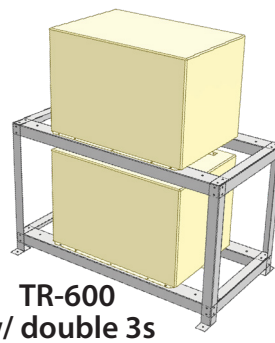
TR-600
w/ 2&3



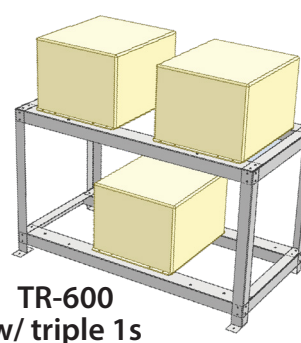
TR-600
w/ double 1s&2



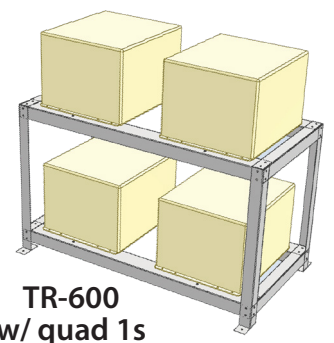
TR-600
w/ double 1s&3



TR-600
w/ double 3s



TR-600
w/ triple 1s



TR-600
w/ quad 1s