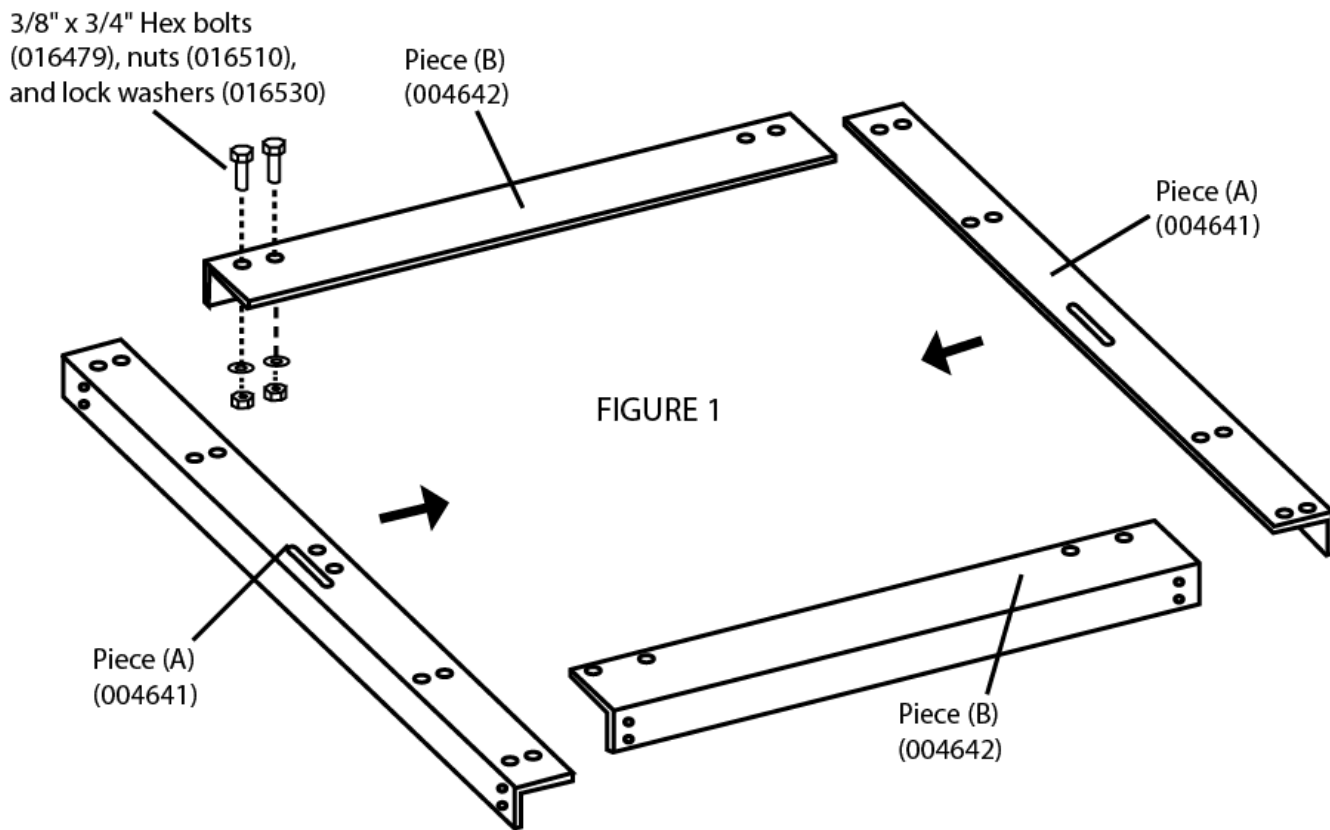




**Assembly Instructions for the Bally Compressor Rack System,
Model DR-200-1 (017642) for Pre-assembled 1/3 to 7½ H.P.
Low and Medium Temperature Units**

- Step 1 To assemble the top and bottom horizontal frame elements, lap piece B's (004542) over top of pieces A's (004641) and secure with 16 3/8" dia. x 3/4" (016479) hex bolts, lock washers (016530) and nuts (016510). See Figures 1 and 2 for clarification.
- Step 2 Position legs, pieces C (004640) against the outside corners of the top and bottom horizontal frame elements and secure each leg to the frame elements with 8 3/8" dia. x 3/4" hex bolts (016479), lock washers (016530) and nuts (016510). See Figures 3 and 4 for clarification.
- Step 3 Place the unit legs on the frame and secure using 3/8" dia. x 3/4" hex bolts (016479) with nuts (016510) and lock washers (016530). See Figures 5, and 6. (Note: some additional 7/16" diameter holes may have to be drilled to mount compressors.)



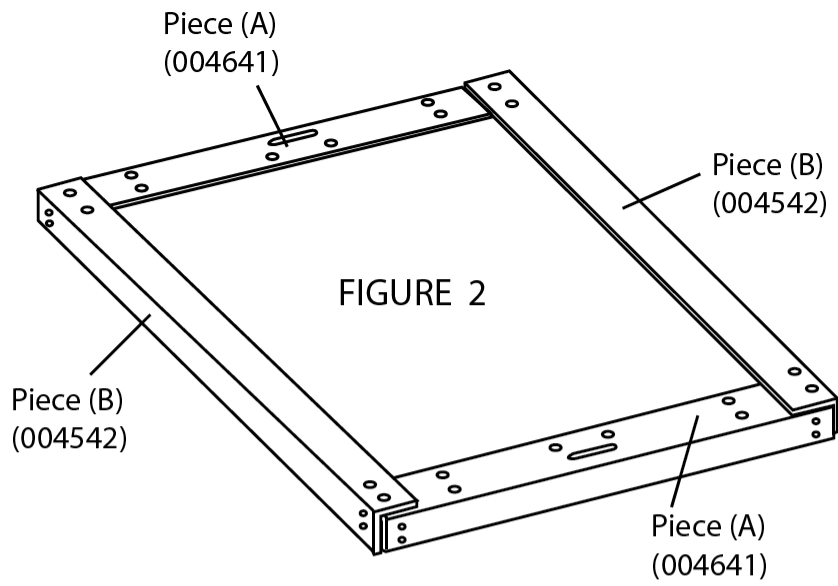


FIGURE 2

3/8" x 3/4" Hex bolts (016479), nuts (016510), and lock washers (016530)

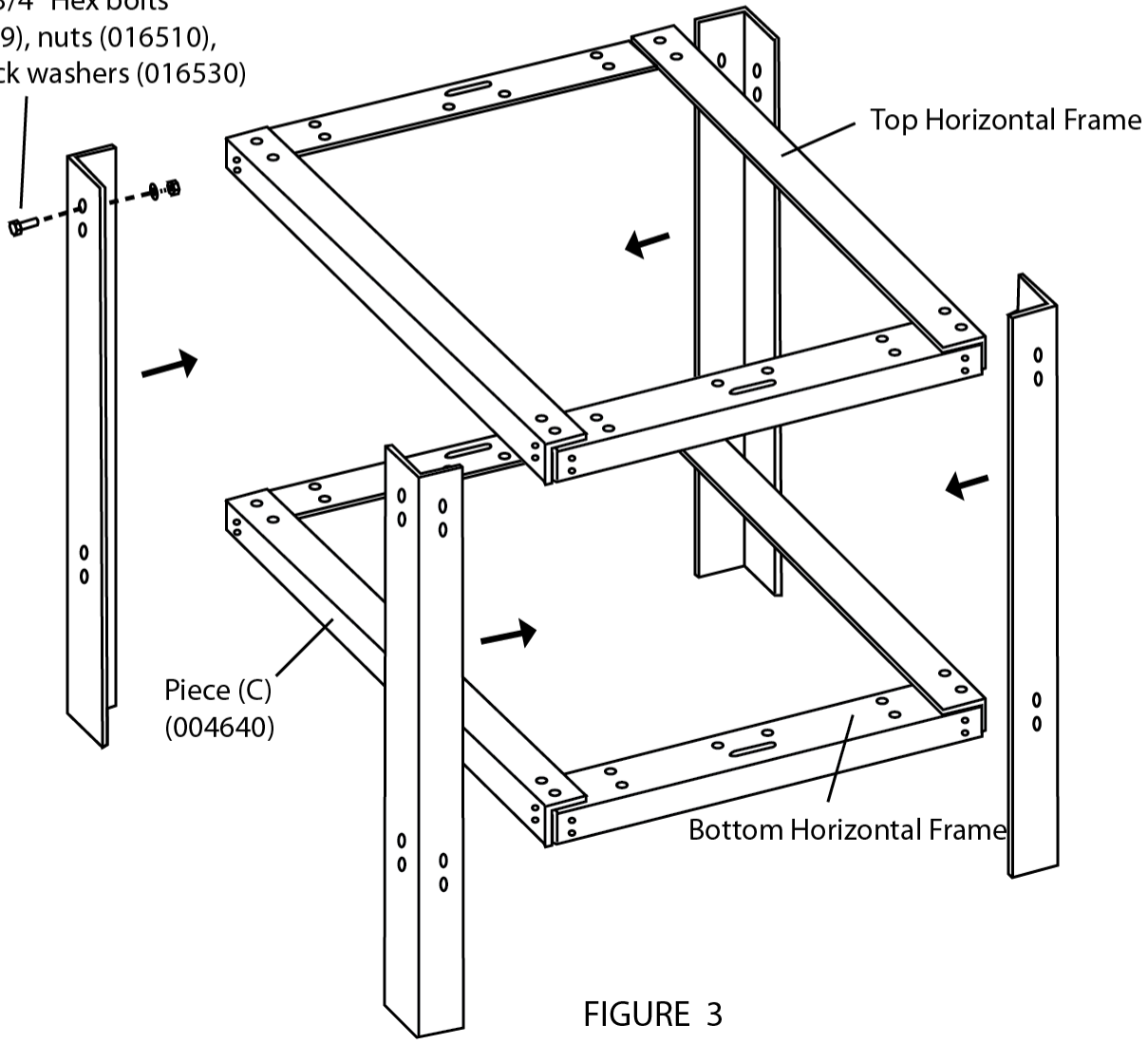


FIGURE 3

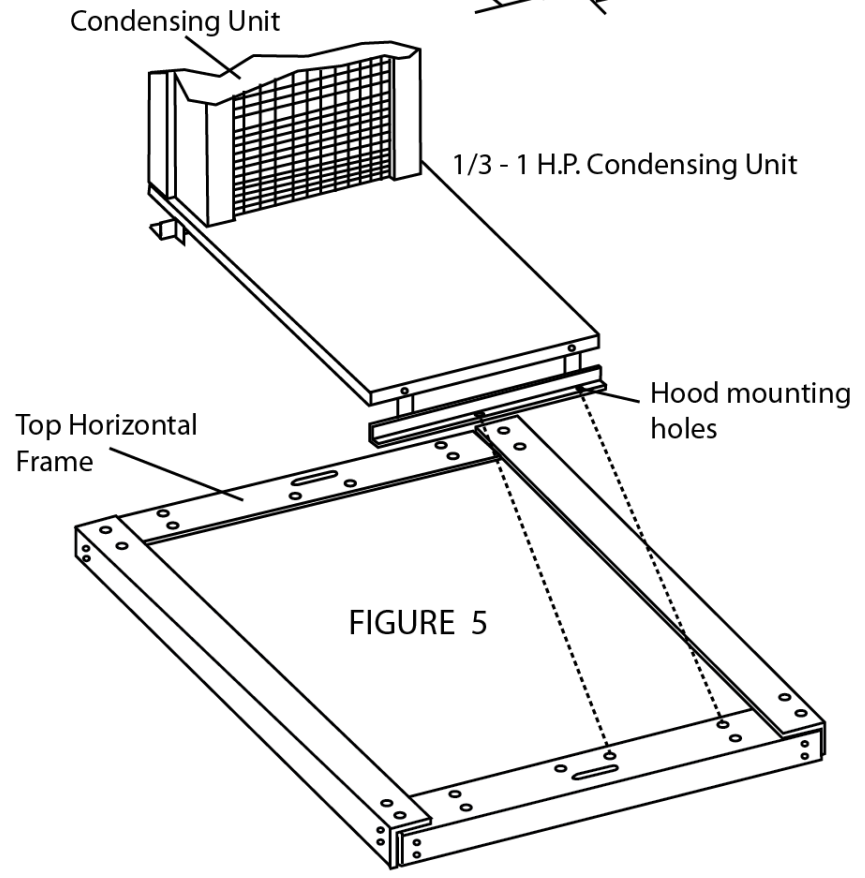
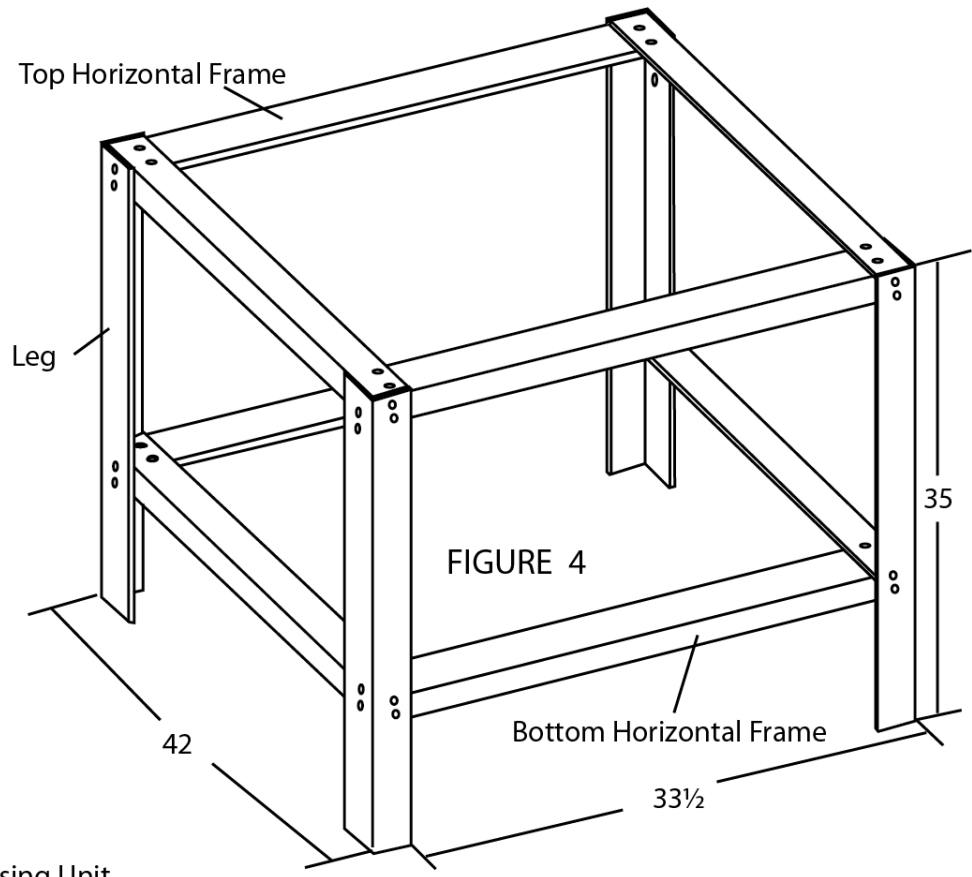


FIGURE 6

