

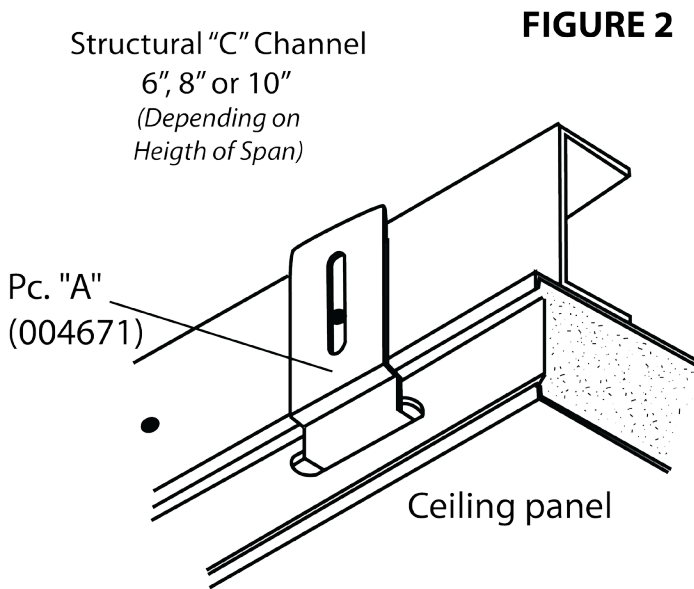
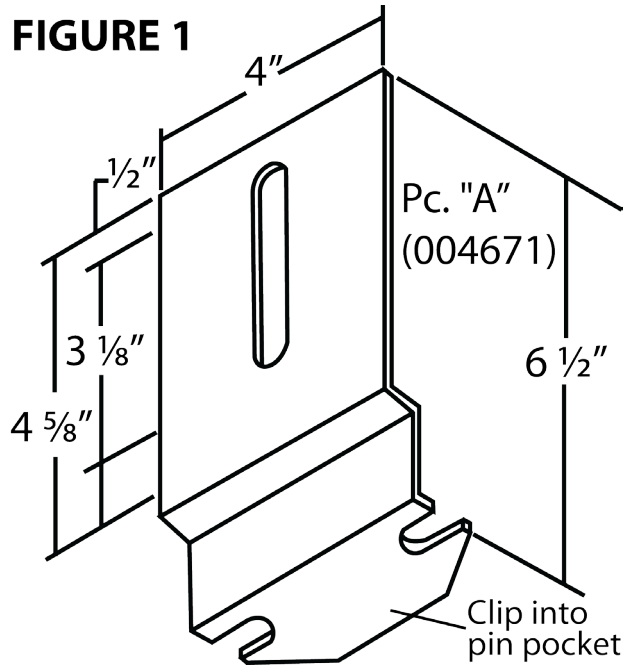
Various Uses of the Bally Attachment Mechanism The Piece "A" Clip

Construction: is 22ga. bright galvanized steel

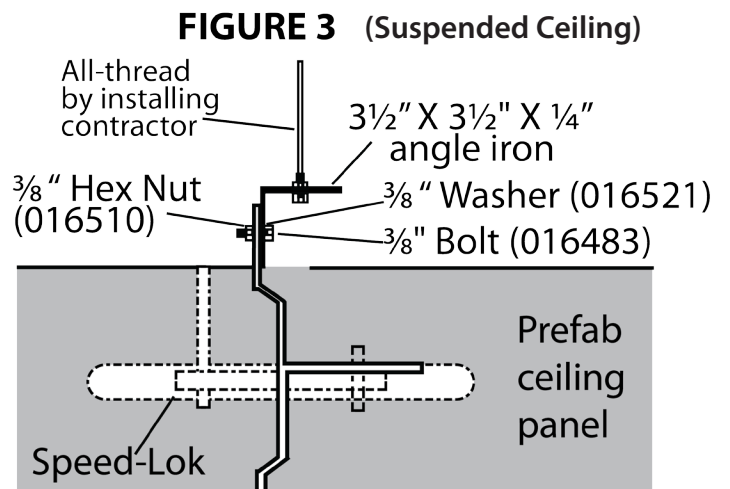
Description: "L" shaped clip with an offset in the long leg. See Figure 1.

How Used: Insert short leg of "L" into pin pocket which is located in groove side of panel. The short leg has two recesses, one of which will straddle pin in the pocket. The long leg of clip will extend beyond panel surface 4 5/8".

Figures 2, 3, 4, and 5 show a variety of uses for Pc. "A". The elongated hole provides adjustment. For leveling of panels, the clip is securely clamped in place when bolt is tightened. Any excess can be bent over as in Figure 7.



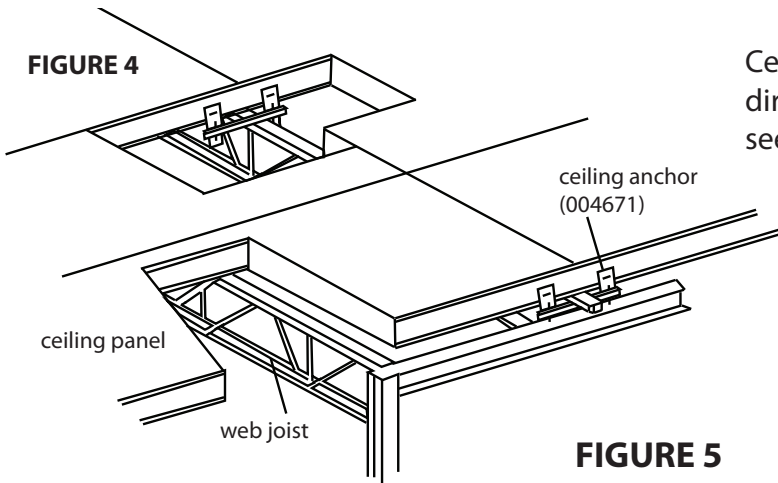
Figures 2&5 show:
Ceiling panel anchor when using Self Supporting Structural Channels.



Detail showing suspended ceiling panels from building structure.

Note: It is important NEVER to walk on top of a Bally ceiling that is not supported by interior steel or other temporary structural supports. Failure to support ceiling will cause joint failure and likely cause serious injury or death.

FIGURE 4



Ceiling panel anchor when placing panels directly on joists spaced on 5'9" centers. As seen in Figure 4.

Figure 6 shows the Pc. "A" used as an eyelet for a hook. This clamping method is used where channels or beams are spaced on 5'9" centers. The damping action would hold down the ceiling panels.

FIGURE 6

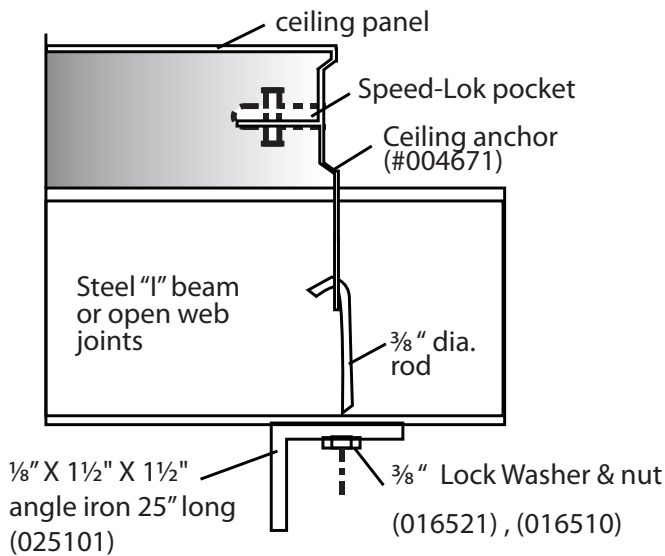


FIGURE 5

Self Supporting C Channel

1 1/2" da. X 1 1/2" long Bolt, Nut, Washer (016498), (016511), (016522)

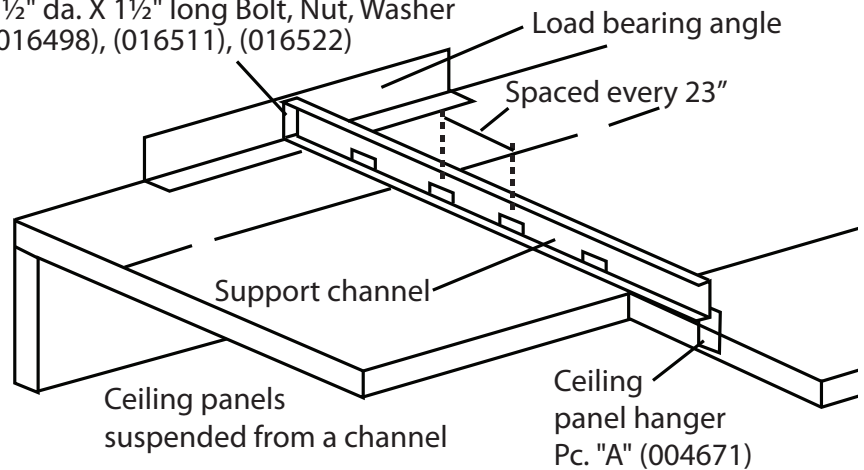
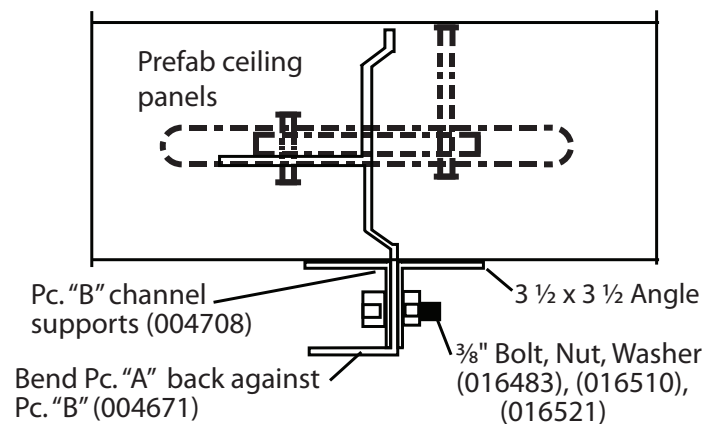


Figure 7

The extended portion of Pc. "A" will, in some cases, extend beyond structural steel. Do not cut this excess off; if extension is objectionable, bend the excess back as shown in Figure 7.



Note: It is important NEVER to walk on top of a Bally ceiling that is not supported by interior steel or other temporary structural supports. Failure to support ceiling will cause joint failure and likely cause serious injury or death.