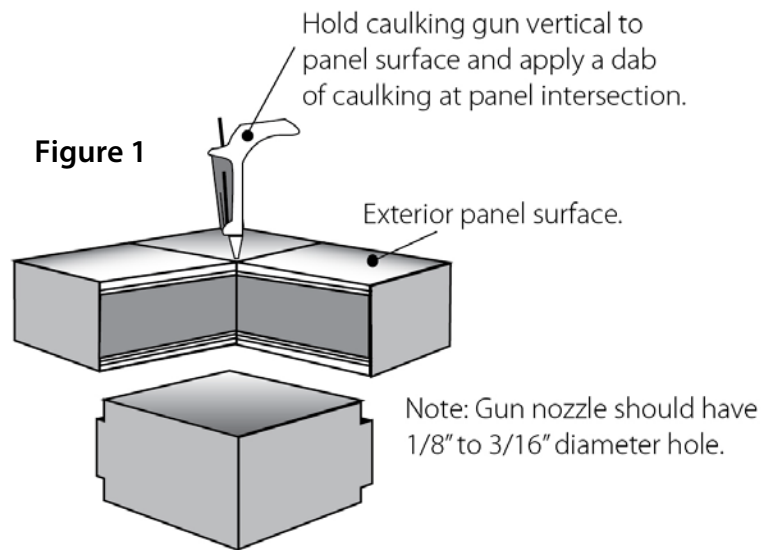


Preventing Vapor Leaks

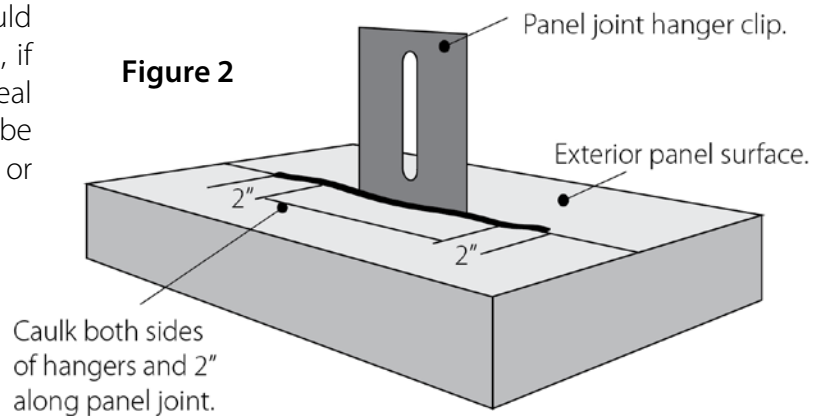
Because they are molded in massive steel jigs, prefab panels are square and accurate dimensionally and, in most installation conditions, will seal against vapor leaks. However, in some adverse conditions, and usually only in coolers, minor leaks will occur.

Vapor leaks could occur if the panels follow the slab variations or when the building settles. If the internal temperature is cycled periodically, the natural process of materials expanding and contracting will create sufficient movement to speed up settlement and can by itself create sufficient separation of vapor seals.

Internal dripping is not always located directly across from vapor leak. Therefore, the task of locating a leak could be rather difficult. In order to avoid a time consuming search procedure, we recommend that the exterior intersections of panel joints are caulked (See Figure 1) since any settlements will be reflected at this point. Secondly, any wall penetrations should be sealed; this should include any protruding clips or hangers installed in panel joints (See Figure 2). Caulking of the entire panel joint should not be necessary, as any settlements in panels would not open these seams.



The type of caulking material used could be calbar or silicone. Silicone caulking, if used, would require cutting the seal points, if the panels are to be disassembled for relocation or expansion.



Note: Cut nozzle of caulking tube to a 45° for best results. Bead should be 3/16" wide.