

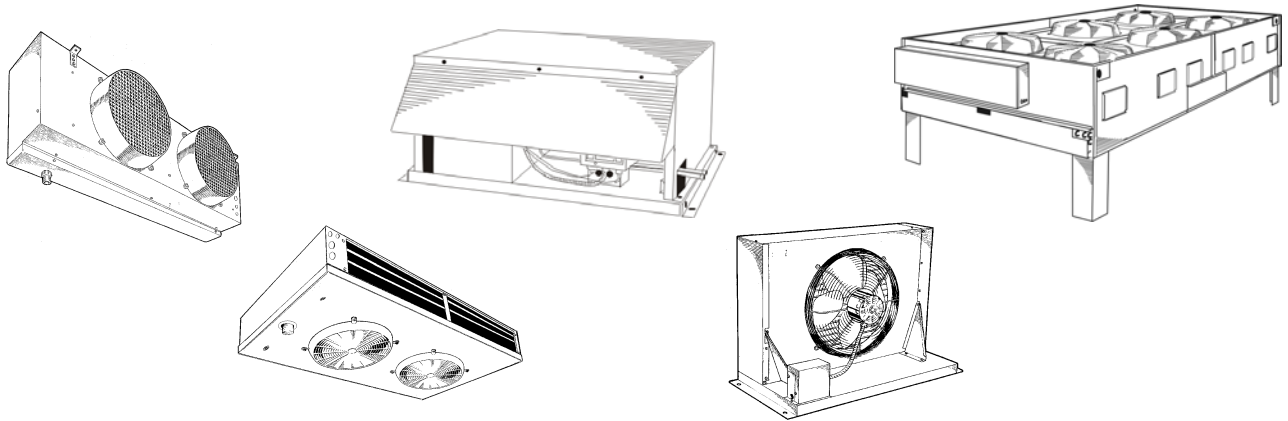


Product Service Parts List

Bulletin B00-PROD-SPL-22

1075577

Evaporators, Condensing Units and Air Cooled Condensers



CONTENTS

PAGE No.

EVAPORATORS.....	2 - 17
BTK - Line, Tuck-Away Unit Coolers.....	2
BR - Line, Half Round Unit Coolers.....	3
BTW - Line, Two-Way Unit Coolers.....	4 - 5
BLV - Line, Low Velocity Unit Coolers.....	6 - 7
BA/BF - Line, Low Profile Unit Coolers.....	8 - 10
BB - Line, Medium Profile Unit Coolers.....	11 - 13
BC - Line, Blast Unit Coolers.....	14 - 15
BJBF - Line, Blast Freezer Unit Coolers.....	16 - 17
CONDENSING UNITS.....	18 - 21
RPH - Line, Hermetic and RP-Line, Semi-Hermetic Condensing Units (Small Chassis).....	18
RPZ - Line, Scroll Condensing Units.....	19
RP - Line, Semi-Hermetic Condensing Units (Large Chassis).....	20 - 21
AIR COOLED CONDENSERS.....	22 - 23
BCH - Line, Air Cooled Condensers - Horizontal Air.....	22
BVC - Line, Air Cooled Condensers - Vertical Air.....	23



SERVICE PARTS LIST

BTK-LINE, TUCK-AWAY UNIT COOLERS

MODEL NUMBER	DESCRIPTION	PART NUMBER
ALL	115V FAN MOTOR	1044151
BTKA 090, 110, 140, 170, 320	5" FAN BLADE	1044158
BTKA 230, 270, 430, 510	6" FAN BLADE	1044159
ALL	MOTOR MOUNT	1044178
ALL	FAN GUARD	1044115
BTKA 090A	DRAIN PAN ASSEMBLY.	1044132-001
BTKA 110A		1044132-001
BTKA 140A		1044134-001
BTKA 170A		1044135-001
BTKA 230A		1044136-001
BTKA 270A		1044137-001
BTKA 320A		1044138-001
BTKA 430A		1044139-001
BTKA 510A		1044140-001
BTKA 090A	COIL ASSEMBLY.	1044530
BTKA 110A		1044124
BTKA 140A		1044125
BTKA 170A		1044126
BTKA 230A		1044127
BTKA 270A		1044128
BTKA 320A		1044129
BTKA 430A		1044130
BTKA 510A		1044131



SERVICE PARTS LIST

BR-LINE, HALF ROUND UNIT COOLERS

MODEL NUMBER	DESCRIPTION	PART NUMBER		
		<i>115/1/60 SP MOTOR</i>	<i>115/1/60 PSC MOTOR</i>	<i>208-230/1/60 PSC MOTOR</i>
BR375	FAN MOTORS	170621	1062533	1062534
BR485		170621	1062533	1062534
BR595		170621	1062533	1062534
BR775		170620	1062541	1062531
BR905		170620	1062541	1062531
BR1025		170620	1062541	1062531
BR1305		170620	1062541	1062531
BR2050		170620	1062541	1062531
BR375	FAN BLADE	28271		
BR485		28271		
BR595		28270		
BR775		28272		
BR905		28269		
BR1025		28269		
BR1305		28269		
BR2050		28269		
BR375	FAN GUARD	1046145		
BR485		1046145		
BR595		1043043		
BR775		1043043		
BR905		170512-003		
BR1025		170512-003		
BR1305		170512-003		
BR2050		170512-003		
BR375	COIL ASSEMBLY.	28228		
BR485		28227		
BR595		28230		
BR775		28229		
BR905		28206		
BR1025		28234		
BR1305		28233		
BR2050		28235		
BR375	DRAIN PAN ASSEMBLY	28283		
BR485		28283		
BR595		28284		
BR775		28284		
BR905		28285		
BR1025		28085		
BR1305		28285		
BR2050		28139		



SERVICE PARTS LIST

BTW-LINE, TWO WAY UNIT COOLERS

MODEL NUMBER		DESCRIPTION	PART NUMBER	
<i>AIR DEFROST</i>	<i>ELEC.DEFROST</i>		<i>115/1/60</i>	<i>208-230/1/60</i>
BTW009AD	BTW008ED	FAN MOTOR	1069592	1069593
BTW013AD	BTW011ED		1069592	1069593
BTW017AD	BTW015ED		1069592	1069593
BTW020AD	BTW018ED		1069592	1069593
BTW025AD	BTW022ED		1069592	1069593
BTW030AD	BTW026ED		1069592	1069593
BTW045AD	BTW039ED		1069592	1069593
BTW060AD	BTW051ED		1069592	1069593
BTW090AD	BTW077ED		1069592	1069593
BTW115AD	BTW098ED		1069592	1069593
BTW009AD	BTW008ED	FAN BLADE	1043870-001	
BTW013AD	BTW011ED		1043870-002	
BTW017AD	BTW015ED		1043870-003	
BTW020AD	BTW018ED		1043870-004	
BTW025AD	BTW022ED		1043870-005	
BTW030AD	BTW026ED		1043870-005	
BTW045AD	BTW039ED		1043870-005	
BTW060AD	BTW051ED		1043870-005	
BTW090AD	BTW077ED		1043870-006	
BTW115AD	BTW098ED		1043870-006	
BTW009AD	BTW008ED	FAN GUARD	1043293	
BTW013AD	BTW011ED		1043293	
BTW017AD	BTW015ED		1043293	
BTW020AD	BTW018ED		1043293	
BTW025AD	BTW022ED		1043294	
BTW030AD	BTW026ED		1043294	
BTW045AD	BTW039ED		1043294	
BTW060AD	BTW051ED		1043294	
BTW090AD	BTW077ED		1043294	
BTW115AD	BTW098ED		1043294	
BTW009AD	BTW008ED	DRAIN PAN	1043868-001	
BTW013AD	BTW011ED		1043868-001	
BTW017AD	BTW015ED		1043868-001	
BTW020AD	BTW018ED		1043868-001	
BTW025AD	BTW022ED		1043869-001	
BTW030AD	BTW026ED		1043869-001	
BTW045AD	BTW039ED		1070010-001	
BTW060AD	BTW051ED		1070010-001	
BTW090AD	BTW077ED		1070011-001	
BTW115AD	BTW098ED		1070012-001	



SERVICE PARTS LIST

BTW-LINE, TWO WAY UNIT COOLERS

MODEL NUMBER		DESCRIPTION	PART NUMBER	
	BTW008ED	DEFROST HEATERS *	1070468-001	
	BTW011ED		1069861-001	
	BTW015ED		1069861-001	
	BTW018ED		1069861-001	
	BTW022ED		1069861-002	
	BTW026ED		1069861-002	
	BTW039ED		1070468-002	
	BTW051ED		1069861-003	
	BTW077ED		1069861-004	
	BTW098ED		1069861-005	
*HEATERS ARE RATED AT 115V. HEATERS TO BE WIRED IN SERIES FOR 230V OR IN PARALLEL FOR 115V				
BTW009AD	BTW008ED	COIL ASSEMBLY LH/RH	1043876-001	1043876-002
BTW013AD	BTW011ED		1043875-001	1043875-002
BTW017AD	BTW015ED		1043874-001	1043874-002
BTW020AD	BTW018ED		1043879-001	1043879-002
BTW025AD	BTW022ED		1043873-001	1043873-002
BTW030AD			1043872-001	1043872-002
BTW045AD			1070113-001	1070113-002
BTW060AD			1070114-001	1070114-002
BTW090AD			1070115-001	1070115-002
BTW115AD			1070116-001	1070116-002
	BTW026ED	COIL ASSEMBLY LH/RH	1070035-001	1070035-002
	BTW039ED		1070036-001	1070036-002
	BTW051ED		1070037-001	1070037-002
	BTW077ED		1070038-001	1070038-002
	BTW098ED		1070039-001	1070039-002
BTW045AD		TERMINAL BOARD	1048825	
BTW060AD			1048825	
BTW090AD			1048825	
BTW115AD			1048825	
	BTW039ED	TERMINAL BOARD	1070060	
	BTW051ED		1070060	
	BTW077ED		1070060	
	BTW098ED		1070060	
	ALL ELECTRIC DEFROST MODELS	FAN DELAY/DEFROST TERMINATION CONTROL	1072338	



SERVICE PARTS LIST

BLV-LINE, LOW VELOCITY UNIT COOLERS

MODEL NUMBER	DESCRIPTION	PART NUMBER
ALL MODELS	FAN MOTORS:100V-115/1/60 SP, 1/15HP	1073402
	FAN MOTORS:100V-115/1/60 PSC, 1/15HP	1073403
	FAN MOTORS:200-230/1/60 SP, 1/15HP	1073404
	FAN MOTORS:200-230/1/60 PSC, 1/15HP	1073405
BLVB 60, 90, 120, 150	HEATER:COIL FACE, 115V, 650W	1070854-003
BLVB 180, 220,270,300	HEATER:COIL FACE, 115V, 930W	1070854-002
BLVB 340,370	HEATER:COIL FACE, 115V, 1140W	1070854-001
BLVB 60, 90, 120,150	HEATER:DRAIN PAN, 115V, 290W	1070854-006
BLVB 180,220,270,300	HEATER:DRAIN PAN, 115V, 410W	1070854-005
BLVB 340, 370	HEATER:DRAIN PAN, 115V, 510W	1070854-004
BLVB 90,270, 340	FAN BLADES:14" 35 ⁰ 5 BLADES	1073414
BLVB 150, 220,300,370	FAN BLADES:14" 32 ⁰ 5 BLADES	1073415
BLVB 60,120,180	FAN BLADES:14" 22 ⁰ 5 BLADES	1073416
HG DEF.MODELS (RE & HE)	THERMOSTAT:FAN/HEATER CONTROL	1073640
ALL MODELS	THERMOSTAT:DEFROST TERMINATION	1040239
ALL MODELS	FAN GUARD	1073350
BLVB 60,90,120,150	INNER DRAIN PAN	1073825-001
BLVB 220,270,300		1073825-002
BLVB 340,370		1073825-003
BLVB 60,90	OUTER DRAIN PAN	1073760-002
BLVB 120,150		1073761-002
BLVB 180,220,270		1073762-002
BLVB 300		1073763-002
BLVB 340		1073764-002
BLVB 370		1073765-002



SERVICE PARTS LIST

BLV-LINE, LOW VELOCITY UNIT COOLERS

MODEL NUMBER	DESCRIPTION	PART NUMBER	
BLVB 60	COIL ASSEMBLY LH/RH AIR DEFROST AND REVERSE CYCLE HG MODELS ONLY	1073527-003	1073528-003
BLVB 90		1073529-003	1073530-003
BLVB 120		1073531-003	1073532-003
BLVB 150		1073533-003	1073534-003
BLVB 180		1073535-003	1073536-003
BLVB 220		1073537-003	1073538-003
BLVB 270		1073539-003	1073540-003
BLVB 300		1073541-003	1073542-003
BLVB 340		1073543-003	1073544-003
BLVB 370		1073545-003	1073546-003
BLVB 60	COIL ASSEMBLY LH/RH ELECTRIC DEFROST MODELS ONLY	1073527-001	1073528-001
BLVB 90		1073529-001	1075330-001
BLVB 120		1073531-001	1073532-001
BLVB 150		1073533-001	1073534-001
BLVB 180		1073535-001	1073536-001
BLVB 220		1073537-001	1073538-001
BLVB 270		1073537-001	1073538-001
BLVB 300		1073539-001	1073540-001
BLVB 340		1073543-001	1073544-001
BLVB 370		1073543-001	1073544-001



SERVICE PARTS LIST

BA/BF-LINE, LOW PROFILE UNIT COOLERS

MODEL NUMBER	DESCRIPTION	PART NUMBER
ALL MODELS	FAN MOTOR 115V	1043336
	FAN MOTOR 208/230V	1043766
	MOTOR MOUNT	1043304
	FAN BLADE	1043667
	MOLDED FAN GUARD/WIRE FAN GUARD	1043305/1046145
	*FAN DELAY/DEFROST TERM. CONTROL	1072338
	DRAIN FITTING KIT	1043544-001
*Not used on High Temp (Air Defrost) Models		
BF 35/43 DED	HEATER: COIL FACE,(3 REQUIRED) 270W	501321-001
BF 53/70/87 DED	HEATER: COIL FACE,(3 REQUIRED) 500W	501321-002
BF 105/130 DED	HEATER: COIL FACE,(3 REQUIRED) 750W	501321-003
BF 173 DED	HEATER: COIL FACE,(3 REQUIRED) 960W	501321-004
BF 217 DED	HEATER: COIL FACE,(3 REQUIRED) 1190W	501321-005
BF 260 DED	HEATER: COIL FACE,(3 REQUIRED) 1420W	501321-006
BF 35/43 DED	HEATER: COIL BOTTOM (1 REQUIRED) 500W	1043603-001
BF 53/70/87 DED	HEATER: COIL BOTTOM (1 REQUIRED) 900W	1043603-002
BF 105/130 DED	HEATER: COIL BOTTOM (1 REQUIRED) 1300W	1043603-003
BF 173 DED	HEATER: COIL BOTTOM (1 REQUIRED) 1700W	1043603-004
BF 217 DED	HEATER: COIL BOTTOM (1 REQUIRED) 2100W	1043603-005
BF 260 DED	HEATER: COIL BOTTOM (1 REQUIRED) 2500W	1043603-006
ALL MODELS	HEATER RETAINER (WIRE CLIP)	505377
AIR DEFROST MODELS	TERMINAL BOARDS	1043529
ELEC DEF MODELS		1043538
HOT GAS DEF MODELS		1043543



SERVICE PARTS LIST

BA/BF-LINE, LOW PROFILE UNIT COOLERS

MODEL NUMBER	DESCRIPTION	PART NUMBER
BA41A	COIL ASSEMBLY	1043729
BA51A		1043730
BA62A		1043731
BA82A		1043732
BA102C		1043733
BA123A		1043734
BA153A		1043735
BA204A		1043736
BA255A		1043737
BA306A		1043738
BF35DED		1043448
BF43DED		1043449
BF53DED		1043450
BF70DED		1043451
BF87DED		1043452
BF105DED		1043453
BF130DED		1043454
BF173DED		1043455
BF217DED		1043456
BF260DED		1043457
BF53AHG		1043684
BF70AHG		1043685
BF87AHG		1043686
BF105AHG		1043687
BF130AHG		1043688
BF173AHG		1043689
BF217AHG		1043690
BF260AHG		1043691



SERVICE PARTS LIST

BA/BF-LINE, LOW PROFILE UNIT COOLERS

MODEL NUMBER	DESCRIPTION	PART NUMBER
BA41A	DRAIN PAN ASSY.	1043331-001
BA51A		1043331-001
BA62A		1043331-002
BA82A		1043331-002
BA102C		1043331-002
BA123A		1043331-003
BA153A		1043331-003
BA204A		1043331-004
BA255A		1043331-005
BA306A		1043331-006
BF35DED		1045670-001
BF43DED		1045670-001
BF53DED		1045670-002
BF70DED		1045670-002
BF87DED		1045670-002
BF105DED		1045670-003
BF130DED		1045670-003
BF173DED		1045670-004
BF217DED		1045670-005
BF260DED		1045670-006
BF53AHG		1045670-001
BF70AHG		1045670-002
BF87AHG		1045670-002
BF105AHG		1045670-003
BF130AHG		1045670-003
BF173AHG		1045670-004
BF217AHG		1045670-005
BF260AHG		1045670-006



SERVICE PARTS LIST

BB-LINE, MEDIUM PROFILE UNIT COOLERS

MODEL NUMBER	DESCRIPTION	PART NUMBER
ALL MODELS	FAN MOTORS:208-230/1/60 3.3 A 3/4HP	1045032
	FAN MOTORS:208-230/3/60 2 A 3/4HP	1045033
	FAN MOTORS:460/3/60 1 A 3/4HP	1045034
	FAN MOTORS:575/3/60 .8 A 3/4HP	1045035
ALL MODELS (EXCEPT EL.DEF MODELS)	FAN MOTORS:200-220/1/50 3.1 A 3/4HP	1045032
	FAN MOTORS:200-220/3/50 1.7 A 3/4HP	1045033
	FAN MOTORS:380-400/3/50 .8 A 3/4HP	1045034
120A,116E,116H	FAN BLADES: 20" 18 ⁰ PITCH 4 BLADES	1048568
ALL OTHER MODELS	FAN BLADES: 20" 23 ⁰ PITCH 4 BLADES	1045115
EXCEPT 120A,116E,116H		
ALL MODELS	FAN GUARD:MOULDED THROW BOOSTER (STD)	1045089
	FAN GUARD:METAL WIRE (OPTIONAL)	1045091
	ACORN NUT	1045138
ALL MODELS	MOTOR MOUNT	1045031
AIR DEF. MODELS	TERMINAL BLOCK	1045017
ELEC. AND HG DEF. MODELS	TERMINAL BLOCK - FAN MOTOR	1045017
	TERMINAL BLOCK - DRAIN PAN HTR (IF APPLICABLE)	1045017
	TERMINAL BLOCK - CONTROL	1045017
	THERMOSTAT:DEFROST CONTROL	1048610
ELEC. DEF. MODELS	FACE HEATER CLIP	1048609
AIR DEFROST MODELS		
120A	COIL ASSEMBLY-AIR DEFROST MODELS	1048554
125A		1048555
131A		1045007
239A		1045008
247A		1045009
254A		1045010
263A		1045011
374A		1045012
383A		1045013
393A		1045014



SERVICE PARTS LIST

BB-LINE, MEDIUM PROFILE UNIT COOLERS

MODEL NUMBER	DESCRIPTION	PART NUMBER
ELEC. DEF MODELS		
116P-ED	COIL ASSEMBLY- ELEC DEF MODELS	1048643
119P-ED		1048644
124P-ED		1045107
232P-ED		1045108
238P-ED		1045109
245P-ED		1045110
251P-ED		1045111
360P-ED		1045112
368P-ED		1045113
375P-ED		1045114
AIR DEF MODELS		
120	DRAIN PAN ASSEMBLY- AIR DEF MODELS	1073871-001
125		1073872-001
131		1073872-001
239		1073873-001
247		1073873-001
254		1073873-001
263		1073873-001
374		1073874-001
383		1073874-001
393		1073874-001
ELEC. DEF MODELS		
116	DRAIN PAN ASSEMBLY- ELEC. DEF MODELS	1068780-005
119		1068780-006
124		1068780-006
232		1068780-007
238		1068780-007
245		1068780-007
251		1068780-007
360		1068780-008
368		1068780-008
375		1068780-008

NOTE: ON HG DEF. MODELS, CONSULT FACTORY FOR PART NUMBERS OF COIL AND DRAIN PAN ASSEMBLY



SERVICE PARTS LIST

BB-LINE, MEDIUM PROFILE UNIT COOLERS

MODEL NUMBER	DESCRIPTION	PART NUMBER	
ELEC. DEF MODELS		230V	460V
116	HEATER: COIL FACE (6 REQUIRED) 677W	1045039-001	1045039-003
119, 124	HEATER: COIL FACE (6 REQUIRED) 950W	1045039-005	1045039-007
232, 238, 245, 251	HEATER: COIL FACE (6 REQUIRED) 1824W	1045039-009	1045039-011
360, 368, 375	HEATER: COIL FACE (6 REQUIRED) 2697W	1045039-013	1045039-015
ELEC. DEF MODELS		575V	
116	HEATER: COIL FACE (6 REQUIRED) 677W	1045039-004	
119, 124	HEATER: COIL FACE (6 REQUIRED) 950W	1045039-008	
232, 238, 245, 251	HEATER: COIL FACE (6 REQUIRED) 1824W	1045039-012	
360, 368, 375	HEATER: COIL FACE (6 REQUIRED) 2697W	1045039-016	
ELEC. DEF MODELS		230V	460V
116	HEATER: DRAIN PAN (1 REQUIRED) 260W	1045039-017	1045039-019
119, 124	HEATER: DRAIN PAN (1 REQUIRED) 400W	1045039-021	1045039-023
232, 238, 245, 251	HEATER: DRAIN PAN (1 REQUIRED) 736W	1045039-025	1045039-027
360, 368, 375	HEATER: DRAIN PAN (1 REQUIRED) 1071W	1045039-029	1045039-031
ELEC. DEF MODELS		575V	
116	HEATER: DRAIN PAN (1 REQUIRED) 260W	1045039-020	
119, 124	HEATER: DRAIN PAN (1 REQUIRED) 400W	1045039-024	
232, 238, 245, 251	HEATER: DRAIN PAN (1 REQUIRED) 736W	1045039-028	
360, 368, 375	HEATER: DRAIN PAN (1 REQUIRED) 1071W	1045039-032	
HG DEF MODELS		230V	380V
116	HEATER:DRAIN PAN (1 REQUIRED) 512W	1067848-001	1067848-002
119, 124	HEATER:DRAIN PAN (1 REQUIRED) 750W	1067848-005	1067848-006
232, 238, 245, 251	HEATER:DRAIN PAN (1 REQUIRED) 1320W	1067848-009	1067848-010
360, 364, 375	HEATER:DRAIN PAN (1 REQUIRED) 1890W	1067848-013	1067848-014
HG DEF MODELS		460V	575V
116	HEATER:DRAIN PAN (1 REQUIRED) 512W	1067848-003	1067848-004
119, 124	HEATER:DRAIN PAN (1 REQUIRED) 750W	1067848-007	1067848-008
2320 238, 245, 251	HEATER:DRAIN PAN (1 REQUIRED) 1320W	1067848-011	1067848-012
360, 364, 375	HEATER:DRAIN PAN (1 REQUIRED) 1890W	1067848-015	1067848-016



SERVICE PARTS LIST

BC-LINE, BLAST UNIT COOLERS

MODEL NUMBER	DESCRIPTION	PART NUMBER
ALL MODELS	FAN MOTORS - 60HZ 1HP ODP 208-230/3/60	1040154
	FAN MOTORS - 60HZ 1HP OPD 460/3/60	1040155
	FAN MOTORS - 60HZ 1HP ODP 575/3/60	1040156
	MOTOR MOUNT	1040157
	FAN BLADE 30"	1040158
	TERMINAL BLOCK TB1:FAN MOTOR	1040160
	TERMINAL BLOCK TB2:DEFROST CONTROL	1040161
	TERMINAL BLOCK TB3:DEFROST HEATER	1040162
	THERMOSTAT:FAN DELAY	1040240
	THERMOSTAT:DEFROST TERMINATION	1040239
	HEATERS:COIL DEFROST 208-230/3/60	1040167
	HEATERS:COIL DEFROST 460/3/60	1040166
	HEATERS:COIL DEFROST 575/3/60	1040165
	HEATERS:DRAIN PAN DEFROST 208-230/3/60	1040167
	HEATERS:DRAIN PAN DEFROST 460/3/60	1040166
	HEATERS:DRAIN PAN DEFROST 575/3/60	1040165
THROW BOOSTER	1040695	
ALL MODELS	DRAIN PAN ASSEMBLY: AIR DEF. UNITS	1040312
ALL MODELS	DRAIN PAN ASSEMBLY: ELEC.DEF. UNITS	1040210

NOTE: ON HG DEF MODELS, CONSULT FACTORY FOR PART NUMBER OF DRAIN PAN ASSEMBLY



SERVICE PARTS LIST

BC-LINE, BLAST UNIT COOLERS

MODEL	DESCRIPTION	PART NUMBER			
		<i>EL. DEF</i>	<i>AIR DEF</i>	<i>REV. CYL HG DEF</i>	<i>3PIPE HG DEF</i>
053	COIL ASSEMBLY: R22/R404A	1040991	NA	1041149	1041214
059		1040992	NA	1041150	1041215
064		1040993	1041052	1041151	1041216
066		1040997	NA	1041155	1041220
072		1040998	NA	1041156	1041221
085		NA	1041053	NA	NA
077		1040999	1041056	1041157	1041222
078		1041003	NA	1041161	1041226
085		1041004	NA	1041162	1041227
100		NA	1041057	NA	NA
089		1041005	1041060	1041163	1041228
091		1041009	NA	1041167	1041232
094		1041015	NA	1041173	1041238
097		1041010	NA	1041168	1041233
115		NA	1041061	NA	NA
101		1041011	1041064	1041169	1041234
103		1041016	NA	1041174	1041239
125		NA	1041065	NA	NA
110		1041017	1041068	1041175	1041240
112		1041021	NA	1041179	1041244
140		NA	1041069	NA	NA
120		1041022	NA	1041180	1041245
126		1041023	1041072	1041181	1041246
129		1041027	NA	1041185	1041250
160		NA	1041073	NA	NA
138		1041028	NA	1041186	1041251
143		1041029	1041076	1041187	1041252
180		NA	1041077	NA	NA



SERVICE PARTS LIST

BJBF-LINE, BLAST UNIT COOLERS

MODEL NUMBER	DESCRIPTION	PART NUMBER
ALL MODELS	FAN MOTORS: 3HP TEFC 208-230/3/60	1040346
	FAN MOTORS: 3HP TEFC 460/3/60	1040347
	FAN MOTORS: 3HP TEFC 575/3/60	1040348
	FAN BLADE 30"	1040321
	TERMINAL BLOCK TB1:FAN MOTOR	1040160
	TERMINAL BLOCK TB2:DEFROST CONTROL	JBF
	TERMINAL BLOCK TB3:DEFROST HEATER	1040162
	THERMOSTAT:FAN DELAY	1040240
	THERMOSTAT:DEFROST TERMINATION	1040239
	HEATERS:COIL DEFROST 208-230/3/60	1040167
	HEATERS:COIL DEFROST 460/3/60	1040166
	HEATERS:COIL DEFROST 575/3/60	1040165
	HEATERS:DRAIN PAN DEFROST 208-230/3/60	1040167
	HEATERS:DRAIN PAN DEFROST 460/3/60	1040166
	HEATERS:DRAIN PAN DEFROST 575/3/60	1040165
	THROW BOOSTER	1041036
ALL MODELS	DRAIN PAN ASSEMBLY: AIR DEF. UNITS	1040312
ALL MODELS	DRAIN PAN ASSEMBLY: ELEC.DEF. UNITS	1040210

NOTE: ON HG DEF MODELS, CONSULT FACTORY FOR PART NUMBER OF DRAIN PAN ASSEMBLY



SERVICE PARTS LIST

BJBF-LINE, BLAST UNIT COOLERS

MODEL	DESCRIPTION	PART NUMBER			
		<i>EL. DEF</i>	<i>AIR DEF</i>	<i>REV. CYL HG DEF</i>	<i>3PIPE HG DEF</i>
063	COIL ASSEMBLY: R22/R404A	1040991	NA	1041149	1041214
069		1040992	NA	1041150	1041215
075		1040993	1041052	1041151	1041216
078		1040997	NA	1041155	1041220
084		1040998	NA	1041156	1041221
085		NA	1041053	NA	NA
090		1040999	1041056	1041157	1041222
092		1041003	NA	1041161	1041226
099		1041004	NA	1041162	1041227
100		NA	1041057	NA	NA
105		1041005	1041060	1041163	1041228
108		1041009	NA	1041167	1041232
111		1041015	NA	1041173	1041238
114		1041010	NA	1041168	1041233
115		NA	1041061	NA	NA
120		1041011	1041064	1041169	1041234
122		1041016	NA	1041174	1041239
125		NA	1041065	NA	NA
130		1041017	1041068	1041175	1041240
132		1041021	NA	1041179	1041244
140	NA	1041069	NA	NA	
142	1041022	NA	1041180	1041245	
150	1041023	1041072	1041181	1041246	
153	1041027	NA	1041185	1041250	
160	NA	1041073	NA	NA	
163	1041028	NA	1041186	1041251	
170	1041029	1041076	1041187	1041252	
180	NA	1041077	NA	NA	



SERVICE PARTS LIST

RPH-LINE, HERMETIC and RP-LINE, SEMI-HERMETIC CONDENSING UNITS (SMALL CHASSIS)

HP&APPLICATION.	PART NUMBER					
	CONDENSER	FAN BLADE	FAN MOTOR			
			208-230V*	460V**	200-220V*	380-400V**
0.5 H2	1063919	1049950	1049946	N/A	1065395	N/A
0.5 L2	1063919	1049950	1049946	N/A	1065395	N/A
0.5 L6	1063919	1049950	1049946	N/A	1065395	N/A
0.5 M8	1063919	1049950	1049946	N/A	1065395	N/A
0.75 H2	1063922	1049950	1049946	N/A	1065395	N/A
0.75 L2	1063919	1049950	1049946	N/A	1065395	N/A
0.75 L6	1063919	1049950	1049946	N/A	1065395	N/A
0.75 M8	1063922	1049950	1049946	N/A	1065395	N/A
0.76 L6	1063922	1049950	1049946	N/A	1065395	N/A
0.99 L6	1063923	1049951	1049946	1049949	1065395	1049949
1.0 H2	1063923	1049951	1049946	1049949	1065395	1049949
1.0 L2	1063923	1049951	1049946	1049949	1065395	1049949
1.0 L6	1063923	1049951	1049946	1049949	1065395	1049949
1.0 M8	1063923	1049951	1049946	1049949	1065395	1049949
1.5 H2	1063918	1049952	1049520	1049947	1049520	1049947
1.5 L5	1063918	1049952	1049520	1049947	1049520	1049947
1.5 L6	1063918	1049952	1049520	1049947	1049520	1049947
1.5 M8	1063918	1049952	1049520	1049947	1049520	1049947
1.51 L6	1063918	1049952	1049520	1049947	1049520	1049947
1.75 L6	1063918	1049952	1049520	1049947	1049520	1049947
2.0 H2	1063917	1049952	1049520	1049947	1049520	1049947
2.0 L2	1063917	1049952	1049520	1049947	1049520	1049947
2.0 L5	1063917	1049952	1049520	1049947	1049520	1049947
2.0 L6	1063917	1049952	1049520	1049947	1049520	1049947
2.0 M8	1063917	1049952	1049520	1049947	1049520	1049947
2.01 L6	1063917	1049952	1049520	1049947	1049520	1049947
2.10 L2	1063917	1049952	1049520	1049947	1049520	1049947
2.10 L6	1063917	1049952	1049520	1049947	1049520	1049947
2.10 M8	1063917	1049952	1049520	1049947	1049520	1049947
2.5 M8	1063917	1049952	1049520	1049947	1049520	1049947
2.9 L6	1046046	1049505	1049502	1049502	1049502	1049502
3.0 H2	1046046	1049505	1049502	1049502	1049502	1049502
3.0 L6	1046046	1049505	1049502	1049502	1049502	1049502
3.0 M8	1046046	1049505	1049502	1049502	1049502	1049502
3.5 M8	1046046	1049505	1049502	1049502	1049502	1049502
4.0 H2	1047727	1049505	1049502	1049502	1049502	1049502
4.0 M8	1047727	1049505	1049502	1049502	1049502	1049502
5.0 H2	1047727	1049505	1049502	1049502	1049502	1049502
5.0 M8	1047727	1049505	1049502	1049502	1049502	1049502

* SINGLE AND THREE PHASE(208-230V 60HZ AND 200-220V 50HZ)

** THREE PHASE(460V 60HZ AND 380-400V 50HZ)

575/3/60 FAN MOTORS NOT AVAILABLE ON ALL MODELS EXCEPT 5 HP H2 AND M6(PART NO: 1049598)



SERVICE PARTS LIST

RPZ-LINE, SCROLL CONDENSING UNITS

HP&APPLICATION.	PART NUMBER					
	CONDENSER	FAN BLADES		FAN MOTORS		
			575/3/60	ALL OTHER VOLTAGES	575/3/60	208-230/1/60, 200-220/1/50, 208-230/3/60, 200-230/3/50
2 E6	1063917	TBA	1049522	TBA	1049520	1049947
2 H2	1063917	TBA	1049522	TBA	1049520	1049947
2 L6	1063917	TBA	1049522	TBA	1049520	1049947
2.5 E6	1046132	TBA	1049505	TBA	1049502	1049502
2.5 H2	1046046	TBA	1049505	TBA	1049502	1049502
2.5 L6	1046132	TBA	1049505	TBA	1049502	1049502
3 E6	1046132	1049505	1049505	1049598	1049502	1049502
3 H2	1046046	1049505	1049505	1049598	1049502	1049502
3 L6	1046132	1049505	1049505	1049598	1049502	1049502
3.5 E6	1046046	1049505	1049505	1049598	1049502	1049502
3.5 H2	1047727	1049505	1049505	1049598	1049502	1049502
3.5 L6	1046046	1049505	1049505	1049598	1049502	1049502
4 E6	1047727	1049505	1049505	1049598	1049502	1049502
4 H2	1047042	1049506	1049506	1049600	1049502	1049502
4 L6	1047727	1049505	1049505	1049598	1049502	1049502
5 E6	1046136	TBA	1049509	TBA	1049554	1049554
5 H2	1047321	1049508	1049508	1049600	1049502	1049502
5 L6	1046136	TBA	1049509	TBA	1049554	1049554
6 E6	1047042	1049506	1049506	1049600	1049502	1049502
6 H2	1047321	1049508	1049508	1049600	1049502	1049502
6 L6	1047042	1049506	1049506	1049600	1049502	1049502
7.5 E6	1047321	TBA	1049508	1049600	1049502	1049502
7.5 H2	1047134	1049512	1049513	1049601	1049805	1049805
7.5 L6	1047321	TBA	1049508	1049600	1049502	1049502
9 H2	1047121	1049512	1049513	1049601	1049805	1049805
10 E6	1047134	TBA	1049513	1049601	1049805	1049805
10 H2	1047139	1049512	1049513	1049601	1049805	1049805
10 L6	1047134	TBA	1049511	1049601	1049805	1049805
13 E6	1047121	TBA	1049513	1049601	1049805	1049805
13 H2	1047143	1049512	1049513	1049601	1049805	1049805
13 L6	1047121	TBA	1049513	1049601	1049805	1049805
15 E6	1047139	1049512	1049513	1049601	1049805	1049805
15 H2	1047143	1049512	1049513	1049601	1049805	1049805
15 L6	1047139	1049512	1049513	1049601	1049805	1049805

TBA=TO BE ADVISED-CONSULT FACTORY



SERVICE PARTS LIST

RP-LINE, SEMI-HERMETIC CONDENSING UNITS (LARGE CHASSIS)

APPLN	PART NUMBER					
	HIGH/MEDIUM	LOW	MEDIUM TEMP.		LOW TEMP.	
	CONDENSER		FAN BLADES			
HP			575V	ALL OTHER VOLTAGES	575V	ALL OTHER VOLTAGES
2	1046132	1046132	TBA	1049507	1049504	1049504
3	1046046	1046046	1049505	1049505	1049505	1049505
3.1	1046136	TBA	TBA	1049509	TBA	TBA
3.5	TBA	1046136	TBA	TBA	1049506	1049506
4	TBA	1046136	TBA	TBA	1049509	1049509
5	1047321	TBA	1049506	1049508	TBA	TBA
5.1	1047321	TBA	1049506	1049508	TBA	TBA
5.2	TBA	TBA	TBA	TBA	TBA	TBA
6	TBA	1047042	TBA	TBA	1049506	1049506
6.1	TBA	1047042	TBA	TBA	1049506	1049506
6.2	TBA	TBA	TBA	TBA	TBA	TBA
6.3	TBA	TBA	TBA	TBA	TBA	TBA
7.5	1047134	1047321	1049512	1049513	1049508	1049508
7.6	1047121	TBA	1049512	1049513	TBA	TBA
9.0	TBA	1047134	TBA	TBA	1049512	1049511
10	1047139	1047139	1049512	1049513	1049512	1049511
10.1	TBA	TBA	TBA	TBA	TBA	TBA
15	1047143	1047143	1049512	1049513	1049512	1049513
20	1047325	1047143	1049512	1049513	1049512	1049513
25	1047325	1047325	1049512	1049513	1049512	1049513
30	1047325	1047325	1049512	1049513	1049512	1049513

TBA=TO BE ADVISED-CONSULT FACTORY



SERVICE PARTS LIST

RP-LINE, SEMI-HERMETIC CONDENSING UNITS (LARGE CHASSIS)

APPLN	PART NUMBER			
	LOW TEMP		MED TEMP	
	FANMOTOR			
HP	575V	ALL OTHER VOLTAGES	575V	ALL OTHER VOLTAGES
2	TBA	1049899	1049598	1049502
3	1049598	1049502	1049598	1049502
3.1	TBA	1049502	TBA	1049554
3.5	1049600	1049502	TBA	TBA
4	1049600	1049502	TBA	TBA
5	TBA	TBA	1049600	1049502
5.1	TBA	TBA	1049600	1049502
5.2	TBA	TBA	TBA	TBA
6	1049600	1049502	TBA	TBA
6.1	1049600	1049502	TBA	TBA
6.2	1049600	1049502	TBA	TBA
6.3	1049600	1049502	TBA	TBA
7.5	1049600	1049502	1049601	1049805
7.6	TBA	TBA	1049601	1049805
9.0	1049601	1049805	1049601	1049805
10	1049601	1049805	1049601	1049805
10.1	1049601	1049805	1049601	1049805
15	1049601	1049805	1049601	1049805
20	1049601	1049805	1049601	1049805
25	1049601	1049805	1049601	1049805
30	1049601	1049805	1049601	1049805

TBA=TO BE ADVISED-CONSULT FACTORY



SERVICE PARTS LIST

BCH-LINE, AIR COOLED CONDENSER

MODEL	DESCRIPTION	PART NUMBER
ALL MODELS	FAN MOTOR: 208-230/1/60	1041300
	FAN MOTOR: 460/1/60	1042141
	FAN MOTOR: 575/1/60	1042140
	CAPACITOR, 5MFD,370V	171521-056
	FAN BLADE	1042139
	MOTOR MOUNT	1041313
	TERMINAL BLOCK	1041289
	CONDENSER COIL, (02)	1042441
	CONDENSER COIL, (03)	1042219
	CONDENSER COIL, (05)	1042148
	CONDENSER COIL, (08)	1042220
	CONDENSER COIL, (10)	1042221



SERVICE PARTS LIST

BVC-LINE, DIRECT DRIVE AIR COOLED CONDENSER

MODELS	DESCRIPTION	PART NUMBER
60HZ, 850RPM MODELS	FAN MOTORS - 60HZ, 850RPM, 0.75 HP, 208-230/1/60	1048725-001
	FAN MOTORS - 60HZ,850RPM, 1 HP, 460/3/60	1048727-001
	FAN MOTORS - 60HZ,850RPM, 1 HP, 575/3/60	1062968-001
	FAN MOTORS - 60HZ,850RPM, 1 HP, 208-230/460/3/60	1062967-001
60HZ, 550 RPM MODELS	FAN MOTORS - 60HZ,550RPM, 0.5HP, 208-230/460/3/60	1068176-001
	FAN MOTORS - 60HZ,550RPM, 0.5HP, 575/3/60	1068177-001
60HZ, 1140 RPM MODELS	FAN MOTORS - 60HZ,1140RPM, 2 HP,208-230/460/3/60	1067454-001
	FAN MOTORS - 60HZ,1140RPM, 2 HP, 575/3/60	1068175-001
50HZ, 700 RPM MODELS	FAN MOTORS - 50HZ,700RPM, 0.75 HP, 200-220/1/50	1048725-001
	FAN MOTORS - 50HZ,700RPM, 1 HP, 200-220/3/50	1048726-001
	FAN MOTORS - 50HZ,700RPM, 1 HP, 380/3/50	1048727-001
	FAN MOTORS - 50HZ,700RPM, 1 HP, 200-220/380/3/50	1062967-001
50HZ,450 RPM MODEL	FAN MOTORS - 50HZ,450RPM, 0.5 HP, 200-220/380/3/50	1068176-001
50HZ, 950 RPM MODEL	FAN MOTORS - 50HZ,950RPM, 2 HP, 200-220/380/3/50	1067454-001
MODELS WITH 35" WIDE FAN SECTION	MOTOR MOUNT RAIL (2 REQUIRED)	1046500
MODELS WITH 45" WIDE FAN SECTION	MOTOR MOUNT RAIL (2 REQUIRED)	1046502
ALL MODELS	MOTOR RAIN SHIELD*	1043295
	MOTOR RAIN SLINGER*	106098
MODELS UP TO 144" LONG	FAN BLADES: 30" 22° PITCH 4 BLADE	1048739
MODELS 183" LONG AND OVER	FAN BLADES: 30" 28° PITCH 4 BLADE	1048738
ALL MODELS	FAN GUARD - 35" DIA.	1048603
ALL MODELS	MOUNTING LEGS 20" CORNER LEG	106025
MODELS 144" LONG AND OVER	MOUNTING LEGS 20" LEFT HAND CENTRE LEG	107024-001
MODELS 144" LONG AND OVER	MOUNTING LEGS 20" RIGHT HAND CENTRE LEG	107024-002
MODELS 144" LONG AND OVER	SUPPORT RAIL 90" - DOUBLE ROW	107025
MODELS 144" LONG AND OVER	SUPPORT RAIL 45" - SINGLE ROW	1065906

* FAN MOTOR PART NUMBER WITH "-001" SUFFIX INCLUDES RAIN SHIELD AND SLINGER.

NOTE: THE FOLLOWING IS THE COMBINATION OF FAN MOTOR, FAN BLADE TO BE USED WITH P66 FAN SPEED CONTROL

FAN MOTOR: 1048725-001

FAN BLADE:1048739

P66AAB-28C :1042262



135 Little Nine Drive, Morehead City, NC 28557
252-240-2829 • FAX: 252-240-0384

Specifications Subject to Change Without Notice

DISTRIBUTED BY:

--