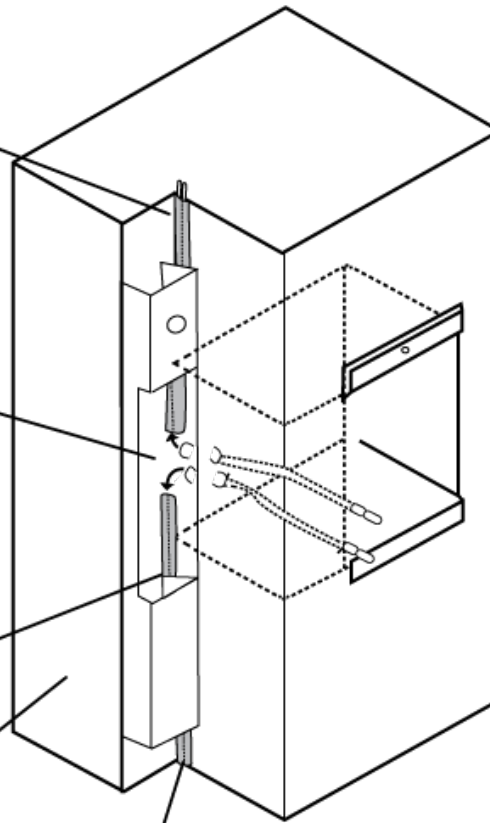


APPLY SILICONE TO INSIDE CORNER OF DOOR FRAME PRIOR TO INSTALLING HEATER WIRES AND HEATER STRIKES. PRESS HEATER WIRES DIRECTLY INTO SILICONE TO ENSURE PROPER HEAT TRANSFER.

ONLY HEATER WIRE LEADS ARE TO ENTER INTO ELECTRICAL BOX. MAKE CERTAIN THAT HEATER WIRE DOES NOT OVERLAP ITSELF AT ENTRANCE SLOT.

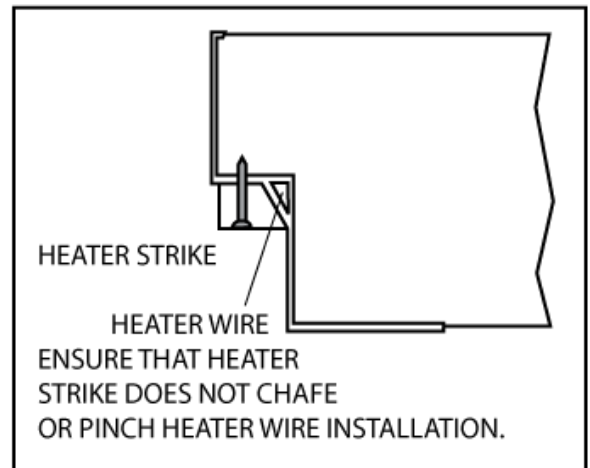
HEATER STRIKE

SECTION OF DOOR PANEL



RUN HEATER ELEMENT TO BOTTOM OF DOOR FRAME AND MAKE LOOP AT THE BOTTOM. (SHOWN WITHOUT SILICONE).

HEATER WIRE & STRIKE SECTION VIEW



ELECTRICAL DIAGRAM

