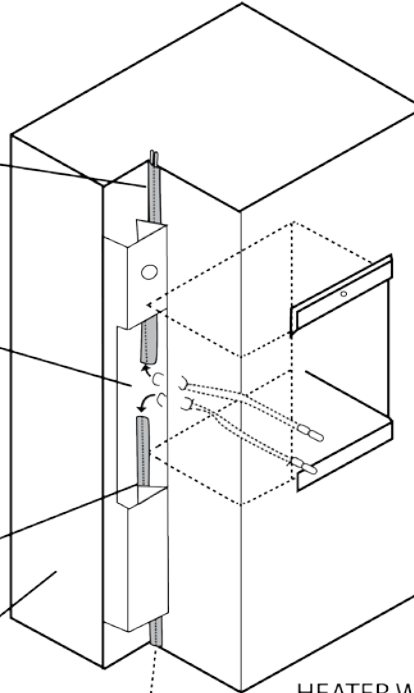


APPLY SILICONE TO INSIDE CORNER OF DOOR FRAME PRIOR TO INSTALLING HEATER WIRES AND HEATER STRIKES. PRESS HEATER WIRES DIRECTLY INTO SILICONE TO ENSURE PROPER HEAT TRANSFER.

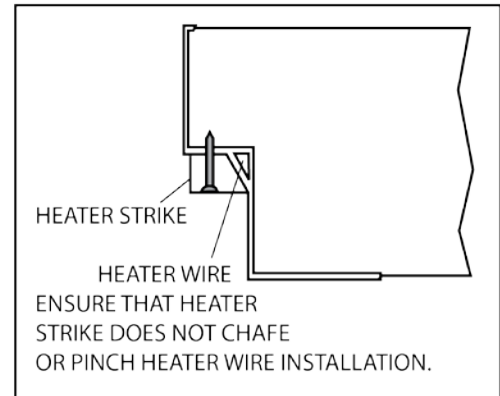
ONLY HEATER WIRE LEADS ARE TO ENTER INTO ELECTRICAL BOX. MAKE CERTAIN THAT HEATER WIRE DOES NOT OVERLAP ITSELF AT ENTRANCE SLOT.

HEATER STRIKE

SECTION OF DOOR PANEL



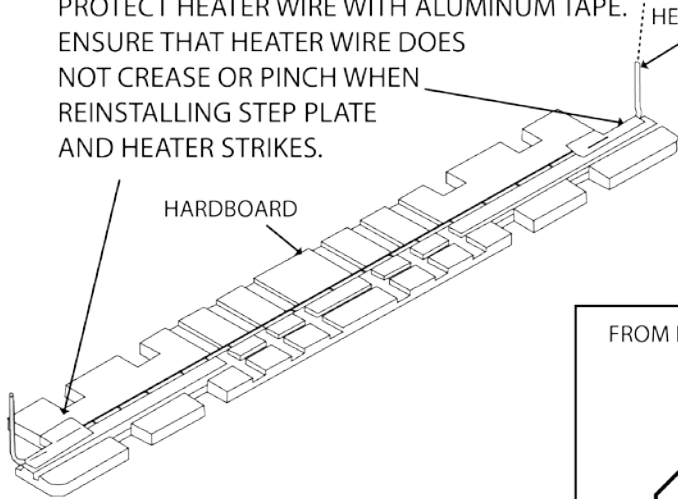
HEATER WIRE & STRIKE SECTION VIEW



PROTECT HEATER WIRE WITH ALUMINUM TAPE. ENSURE THAT HEATER WIRE DOES NOT CREASE OR PINCH WHEN REINSTALLING STEP PLATE AND HEATER STRIKES.

HEATER WIRE

HARDBOARD



ELECTRICAL DIAGRAM

