

Figure 1

The height of the locking bar is located anywhere on latch side of door. Ensure that there is no interference with exterior or internal components that might have been added after factory manufacturing. The longer half of the locking bar will mount on the door cap and the shorter half will mount on the door panel. The locking bar pieces are mounted approximately 1/8" back from edge of respective door opening edges.

Figures 2 & 3

Once locking bar height is established, mark a vertical line 2 1/8" inward from exterior door cap edge and place the backing plate against it at locking bar height. Center punch the (3) hole locations on the backing plate. Ensure that backing plate is level.

Figure 4

Drill (1) 5/16" hole through both exterior and interior metal. This hole must be drilled perpendicular to door cap surface with reasonable accuracy (This hole will locate backing plate against interior metal when locating interior holes).

Figure 5

Using one of the 1/4" x 4" bolts, temporarily place backing plate against the interior door cap and center punch remaining interior hole locations. Ensure that backing plate is level.

Figure 6

Drill the remaining (2) 5/16" holes thru interior door cap metal and foam insulation.

Figure 7

On exterior of door cap, drill (3) 5/8" holes 1 1/4" deep using the (1) 5/16" hole and (2) center punch marks.

Figure 8

Install long half of locking bar on exterior of door cap with the (3) 1/4" x 4" bolts, (3) flat washers and (1) backing plate.

Figure 8

Locate mounting hole center for shorter half of locking bar by measuring 1 1/2" down from the top edge of long half of locking bar and 11/16" from door panel opening edge.

Figure 9

Drill a 7/16" hole through exterior and interior metal. This hole must be drilled perpendicular to door surface with reasonable accuracy.

Figure 9

Drill 5/8" hole using the 7/16" hole in exterior metal approximately 1 1/4" deep on exterior metal.

Figures 10 & 11

Insert locking bar into 5/8" hole and position it level with the other half. lightly tap on locking bar with hammer to dimple metal with the alignment pin (On the back to locking bar half). Use this dimple for location and drill a 5/16" hole for the alignment pin through the exterior metal of door cap approximately 1/4" deep.

Figure 12

Install locking bar on exterior of cap and thread release knob into coupler nut.

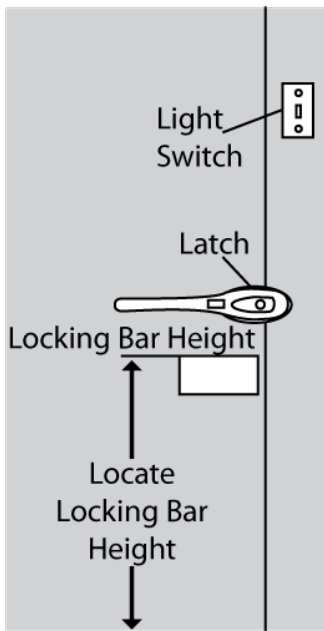


FIGURE 1
Door Exterior

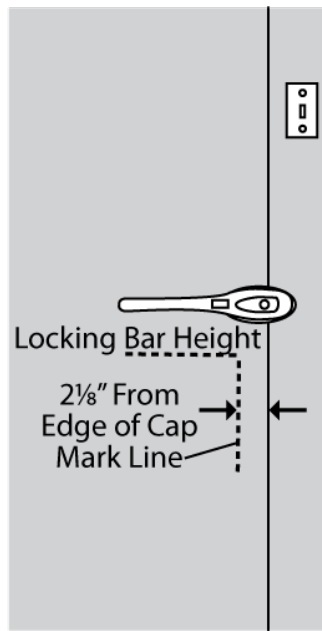


FIGURE 2
Door Exterior

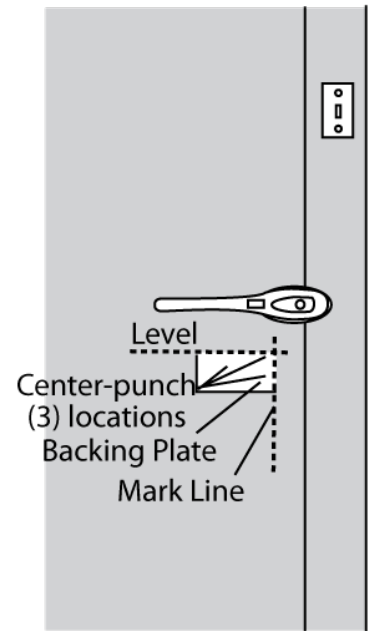


FIGURE 3
Door Exterior

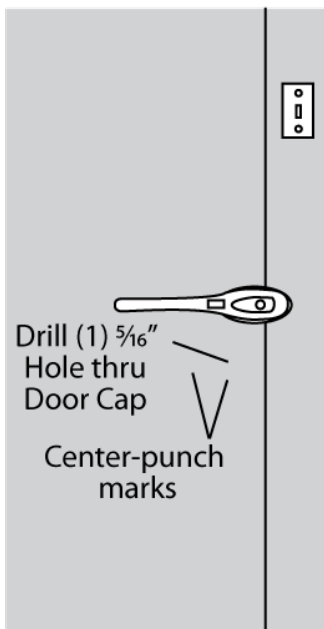


FIGURE 4
Door Exterior

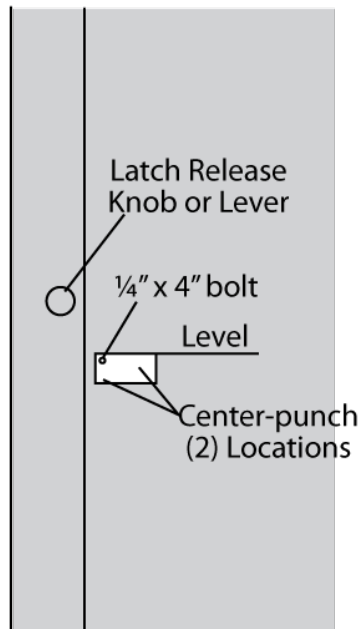


FIGURE 5
Door Interior

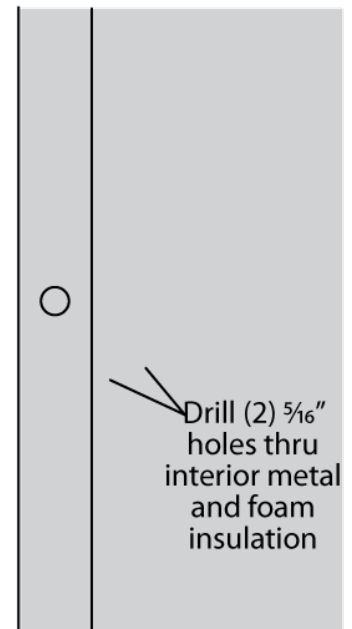


FIGURE 6
Door Interior

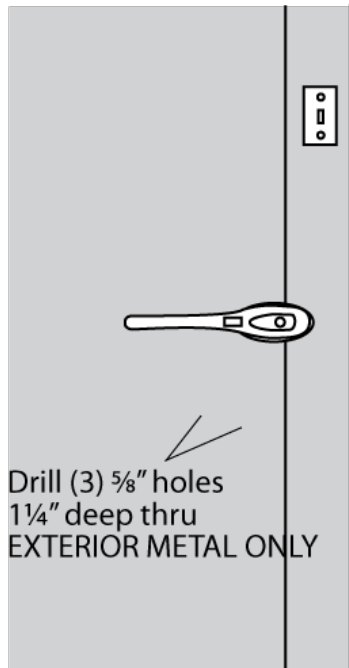


FIGURE 7
Door Exterior

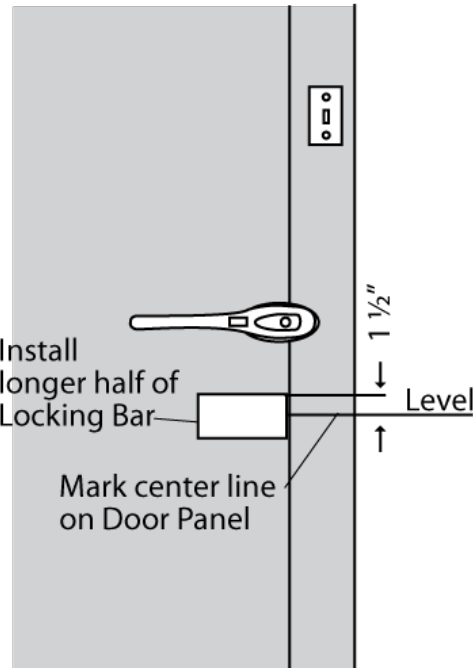


FIGURE 8
Door Exterior

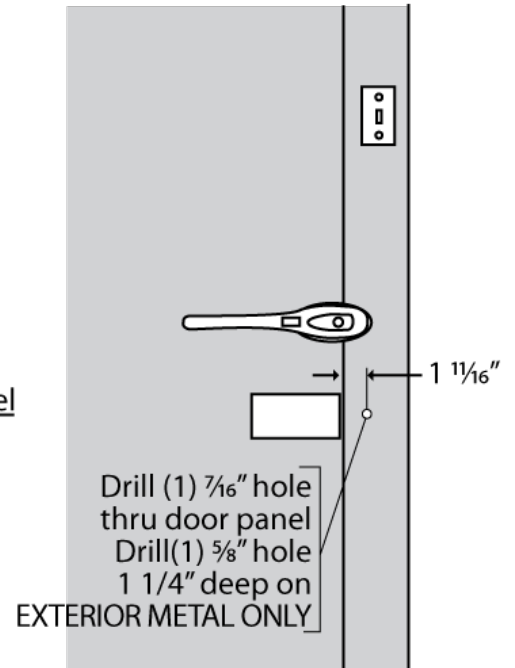


FIGURE 9
Door Exterior

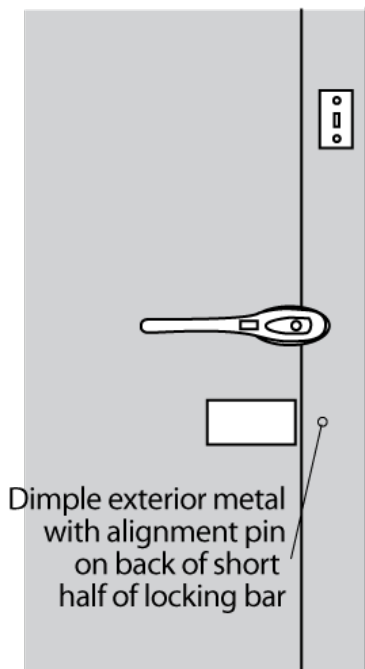


FIGURE 10
Door Exterior

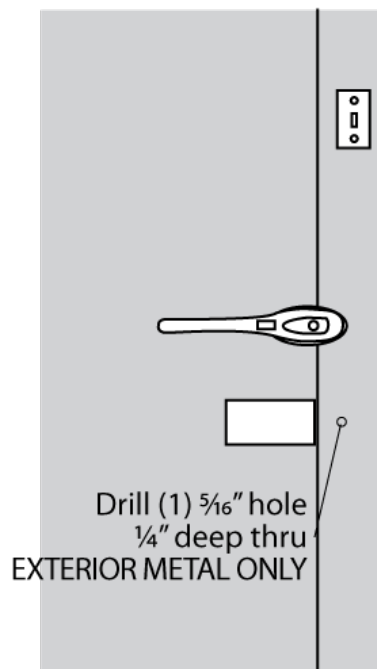


FIGURE 11
Door Exterior

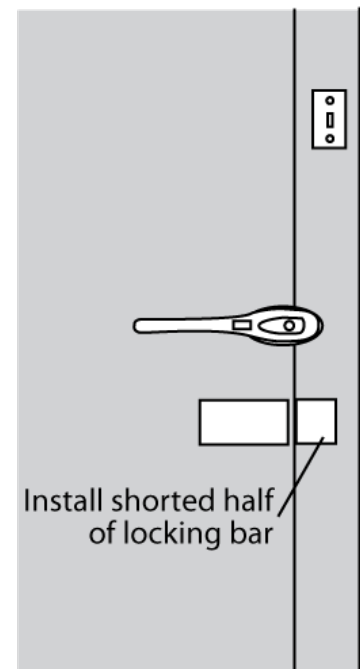
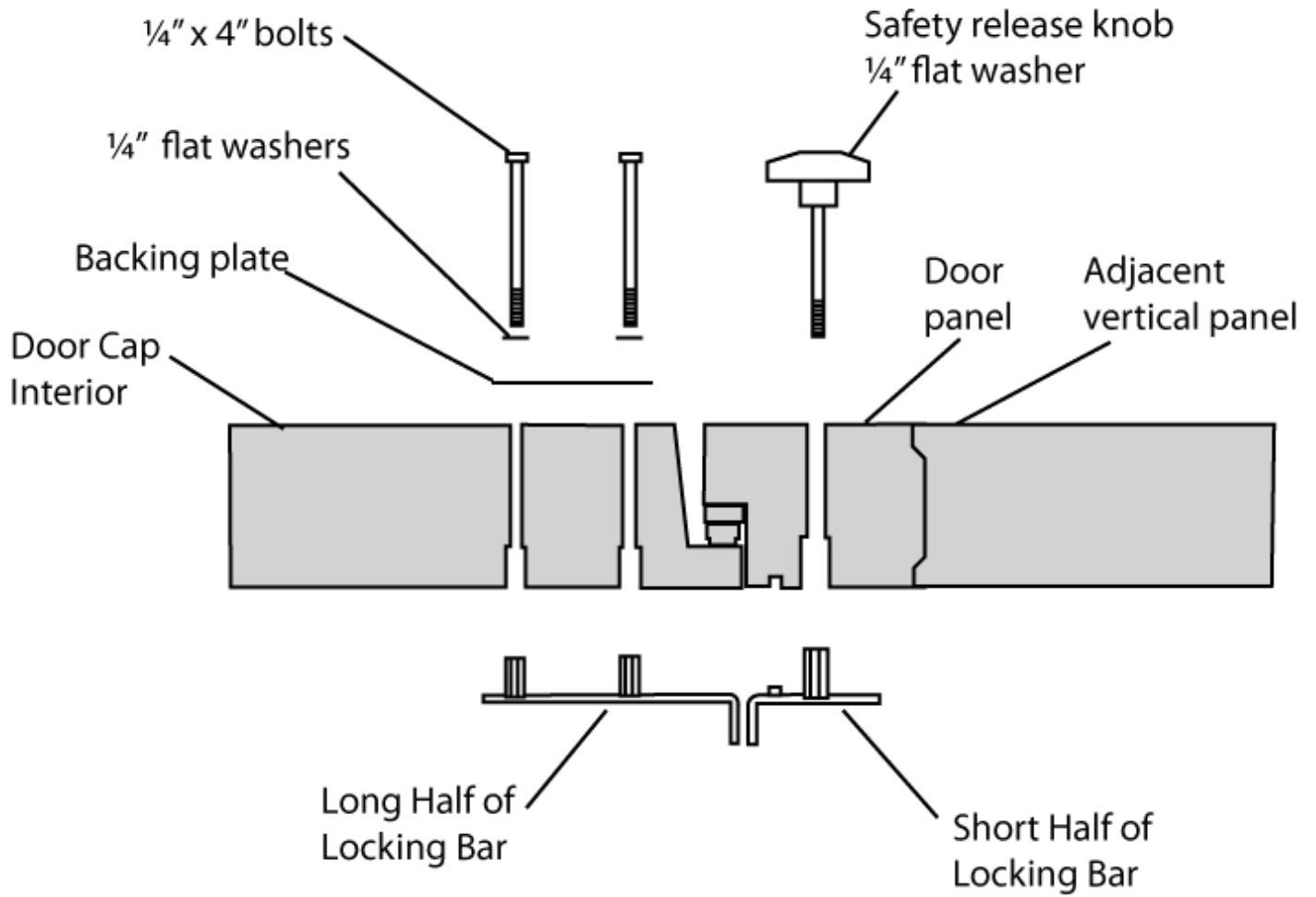


FIGURE 12
Door Exterior



Exploded view of assembly
section of door latch side