



RP-Line Condensing Units

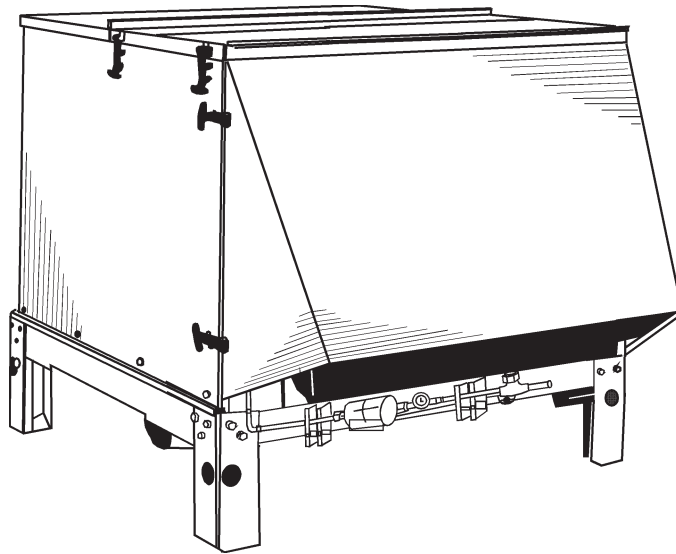
PRODUCT DATA & SPECIFICATIONS

Bulletin B40-RP-PDS-13

1064617

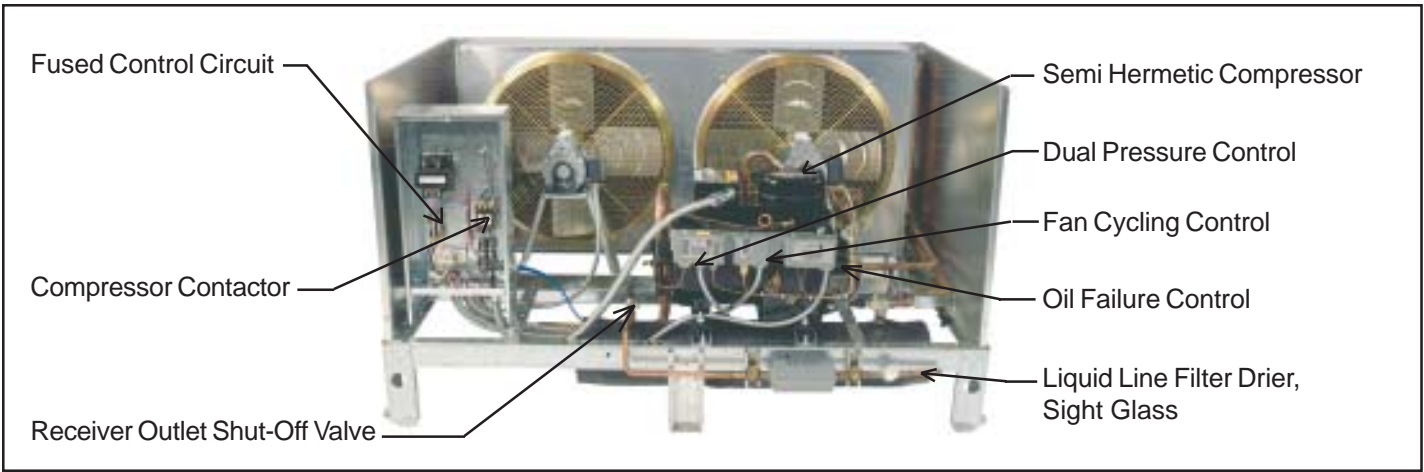
Indoor & Outdoor Air Cooled
Semi-Hermetic Condensing Units

3 to 30 HP



CONTENTS

	Page
Features.....	2
Nomenclature.....	2
 CAPACITY DATA	
R22 - High/Medium Temp.....	3
R134a - High/Medium Temp.....	4
R404A/R507 - High/Medium Temp.....	5
R404A/R507 - Low Temp.....	6
R22 Low Temp.....	7
R502 Low Temp.....	8
Dimensional Data.....	9, 10
Specifications.....	11 - 13
Electrical Specifications.....	14 - 19



FEATURES

STANDARD FEATURES INCLUDE:

Indoor Unit

Standard Features Include:

- Weatherproof electrical control box with compressor contactor and fused control circuit
- Spring mounted, accessible semi-hermetic compressor
- Discharge vibration eliminator
- Copper tubing secured with Hydra-Zorb / Cush-A-Clamp
- Receiver with fusible plug and liquid shut off valve
- Sealed liquid line filter drier and sight glass
- Adjustable dual high / low pressure control
- Oil failure control on all applicable models
- Demand Cooling™ on R22 low temp. models
- Time clock - Factory mounted and wired (low temp models)

Outdoor Unit

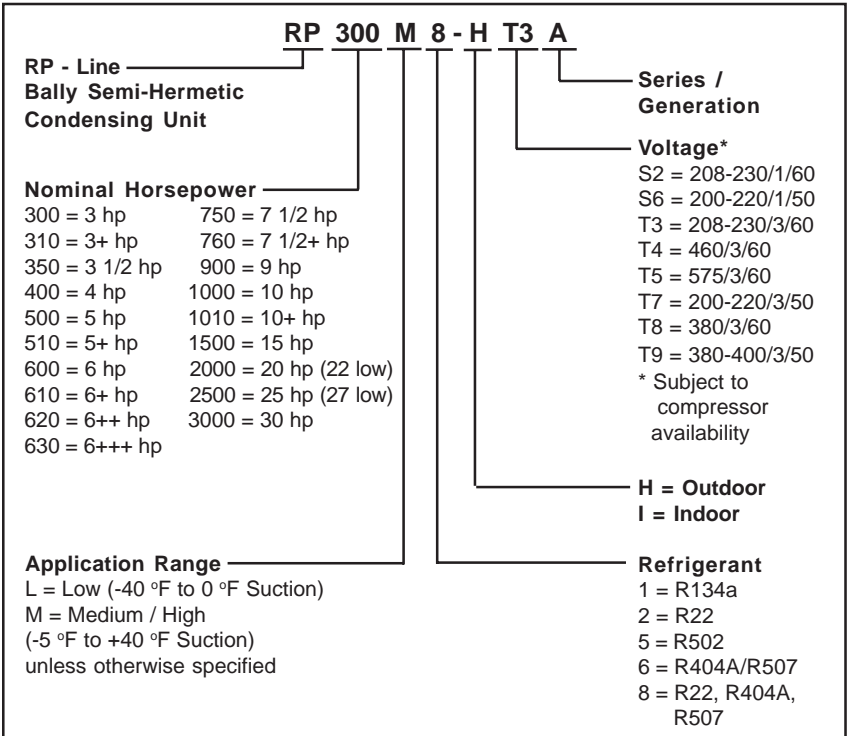
All Standard Features of Indoor Unit Plus:

- Outdoor weather-resistant housing with removable hood
- Flooded head pressure control (non adjustable)
- Fixed ambient fan cycling thermostat on 2 or more fan models only
- Crankcase heater
- Pump down toggle switch
- Two valve adjustable flooded head pressure control (standard on M8 units only)

OPTIONAL FEATURES (FACTORY MOUNTED)

- Suction accumulator
- Sealed or replaceable core suction filter with vibration eliminator
- Oil separator c/w oil return filter and solenoid valve
- Over-sized receiver
- Heated and insulated receiver
- Receiver inlet valve
- Replaceable core liquid line filter drier
- Time clock - Factory mounted and wired or shipped loose
- Liquid line solenoid valve with 230 volt coil (shipped loose)
- Ball valve (shipped loose)
- Sentronic oil failure control
- Two valve adjustable flooded head pressure control
- Flex hose on all controls
- Compressor circuit breaker
- Compressor time delay relay
- Pump down toggle switch
- Defrost contactor with fuse block
- Evaporator fan contactor with fuse block
- Adjustable ambient fan cycling thermostat or pressure fan cycling control on 2 or more fan models
- Fused disconnect
- Phase / voltage monitor

NOMENCLATURE



OTHER OPTIONS AVAILABLE AT YOUR REQUEST - CONSULT FACTORY

60Hz COPELAND PERFORMANCE CAPACITY

Application Data Calculated at 65°F. Return Gas, 0 °F. Liquid Subcooling

R22 - HIGH/MEDIUM TEMPERATURE - CAPACITY (BTU/HR)

Unit Shipped with polyolester oil

COND. UNIT MODEL *	SAT. SUCTION TEMP. °F	80°F Amb.	90°F Amb.	95°F Amb.	100°F Amb.	105°F Amb.
RP300M8 Compressor Model ERFA-031E	40	36990	34900	33940	32980	32020
	30	30520	28880	28060	27420	23830
	25	27610	26080	25330	24580	23830
	20	24860	23450	22760	22070	21390
	10	19990	18800	18220	17640	17060
RP500M8 Compressor Model 2DC3-050E	40	65580	61330	59380	57330	55190
	30	54880	51290	49550	47810	46070
	25	49840	46560	44970	43370	41780
	20	45070	42080	40620	39160	37710
	10	36450	34010	32760	31550	30350
RP510M8 Compressor Model 2DD3-050E	40	74180	69570	67280	64980	62590
	30	62240	58230	56280	54330	52390
	25	56610	52930	51140	49350	47570
	20	51250	47890	46250	44610	42980
	10	41540	38790	37390	36030	34670
RP750M8 Compressor Model 2DL3-075E	40	94010	88370	85300	82520	79740
	30	78590	73590	71230	68870	66520
	25	71120	66780	64620	62450	60300
	20	64350	60330	58340	56370	54390
	10	52030	48710	47030	45380	43740
RP760M8 Compressor Model 3DA3-075E	40	125480	117760	114340	110780	107230
	30	104550	98460	95430	92400	89380
	25	95060	89370	86580	83800	81030
	20	85960	80750	78190	75650	73100
	10	69530	65180	63050	60920	58800
RP1000M8 Compressor Model 3DB3-100E	40	147780	139420	135290	130510	126510
	30	123170	116060	112520	108980	105460
	25	111880	105350	102100	98850	95610
	20	101290	95200	92220	89240	86270
	10	91850	76870	74370	71880	69400
RP1500M8 Compressor Model 3DS3-150E	40	192840	181440	176020	170320	164640
	30	162330	152350	147680	142650	138810
	25	147750	138570	134100	129630	125180
	20	133860	125450	121340	117250	113160
	10	108670	101630	98190	94760	91340
RP2000M8 Compressor Model 4DA3-200E	40	220750	207290	201100	194900	188770
	30	183300	172780	167500	161600	156340
	25	166570	156600	151190	146350	141500
	20	150200	140790	136350	131900	127490
	10	120800	113380	109670	105970	102280
RP2500M8 Compressor Model 4DH3-250E	40	280170	262240	254260	244590	236600
	30	234830	220560	212600	205450	198290
	25	213800	199560	193000	186370	179090
	20	193060	180650	174600	167900	161860
	10	156490	145800	140730	135600	130600
RP3000M8 Compressor Model 4DJ3-300E	40	308300	291000	281000	271000	262000
	30	259900	243900	236400	228000	220100
	25	235900	222000	214000	207300	200300
	20	214000	200000	193700	187300	180200
	10	173100	162500	156300	150900	145500

* COMPRESSOR MODEL SHOWN IS FOR 208-230/3/60, EXACT MODEL MAY VARY WITH OTHER VOLTAGES.

60Hz COPELAND PERFORMANCE CAPACITY

Application Data Calculated at 65 °F. Return Gas, 0 °F. Liquid Subcooling

R134a - HIGH/MEDIUM TEMPERATURE - CAPACITY (BTU/HR)

Unit Shipped with polyolester oil

COND. UNIT MODEL *	SAT. SUCTION TEMP. °F	80°F Amb.	90°F Amb.	95°F Amb.	100°F Amb.	105°F Amb.
RP290M1 Compressor Model LAHA-031E	25	27451	25368	24477	23539	22462
	20	24262	22517	21479	20450	19590
	10	18752	17203	16564	15677	14932
	0	14595	13210	12568	12060	11424
	-5	12297	11107	10716	10162	9613
RP300M1 Compressor Model 2DF3-030E	40	53130	49350	47660	45780	44100
	30	43370	40250	38800	37400	35980
	25	38990	36100	34900	33500	32190
	20	34150	32350	31050	29800	28660
	10	27540	25590	24490	23490	22480
RP600M1 Compressor Model 2DA3-060E	40	65350	61340	59080	56980	54630
	30	53840	49980	48170	46390	44600
	25	48420	44840	43200	41570	39940
	20	43080	40000	38560	37050	35550
	10	34360	31800	30430	29160	27880
RP620M1 Compressor Model 3DA3A060E	40	76270	71760	69020	66700	64380
	30	62740	58990	56890	54680	52730
	25	56670	52960	50930	49130	47330
	20	50840	47320	45530	43870	42200
	10	40500	37460	36000	34540	33080
RP630M1 Compressor Model 3DA3A060E	40	80020	75290	72570	70130	67390
	30	65780	61700	59160	57140	55120
	25	58920	54920	53150	51290	49420
	20	52770	49060	47430	45430	43700
	10	41920	38910	37160	35650	34150
RP750M1 Compressor Model 3DB3A075E	40	92800	86540	83750	80970	77830
	30	75890	70890	68520	65800	63420
	25	68350	63730	61210	59020	56830
	20	61020	56680	54660	52640	50690
	10	48420	44860	42930	41170	39420
RP900M1 Compressor Model 3DF3A090E	40	109450	102320	98740	95590	92240
	30	90330	84140	81310	74870	75260
	25	81020	75680	73180	70110	67500
	20	72650	67420	65020	62610	60220
	10	57590	53580	51430	49390	47350
RP1000M1 Compressor Model 3DS3A100E	40	119340	112150	107910	104270	100620
	30	98530	91920	88670	85540	82420
	25	88300	82690	79670	76450	73560
	20	79290	73870	70920	68250	65600
	10	63220	58450	56090	53850	51600
RP1010M1 Compressor Model 4DA3-100E	40	133100	124030	119560	114600	110300
	30	106680	99430	96040	92690	89320
	25	94800	88380	84580	82520	79220
	20	83600	78460	75420	72810	70240
	10	66150	61690	59490	57420	55340
RP1500M1 Compressor Model 4DH3-150E	40	172190	159850	153840	147260	141320
	30	141050	131450	126200	121230	115730
	25	126910	118200	112950	108400	103890
	20	113640	104880	100740	96660	92580

* COMPRESSOR MODEL SHOWN IS FOR 208-230/3/60, EXACT MODEL MAY VARY WITH OTHER VOLTAGES.

60Hz COPELAND PERFORMANCE CAPACITY

Application Data Calculated at 65 °F. Return Gas, 0 °F. Liquid Subcooling

R404A, R507 - HIGH/MEDIUM TEMPERATURE - CAPACITY (BTU/HR)

Unit Shipped with polyolester oil

COND. UNIT MODEL *	SAT. SUCTION TEMP. °F	80°F Amb.	90°F Amb.	95°F Amb.	100°F Amb.	105°F Amb.
RP300M8 Compressor Model ERFA-031E	40	41130	37080	35190	33310	31440
	30	35420	32150	30510	28900	27080
	25	32670	29640	28140	26450	24950
	20	29930	27130	25570	24190	22810
	10	24570	22050	20870	19700	18530
RP500M8 Compressor Model 2DC3-050E	40	67020	61040	58050	55490	52530
	30	55930	50910	48710	46230	43750
	25	50910	46340	44070	41810	39550
	20	45870	41720	39390	37610	35320
	10	36850	33460	31780	29910	28220
RP510M8 Compressor Model 2DD3-050E	40	77270	70890	66980	64100	60240
	30	65450	59670	56790	53910	50620
	25	59240	53930	51290	48660	46390
	20	53920	49093	46690	43990	41920
	10	43610	39680	37720	35530	33560
RP750M8 Compressor Model 2DL3-075E	40	97440	88570	84510	80920	76910
	30	81570	74450	71390	68010	63700
	25	73920	67990	64080	60950	57880
	20	67180	60800	57950	55470	52340
	10	54610	49600	47290	44750	42430
RP760M8 Compressor Model 3DA3-075E	40	127560	117140	111920	107380	102240
	30	108110	99570	94080	90320	85520
	25	98160	89730	86320	81990	78670
	20	88470	81500	78000	74560	71550
	10	72710	66780	63970	61180	58360
RP1000M8 Compressor Model 3DB3-100E	40	150250	138650	131750	126450	120370
	30	129890	117010	112470	107350	100770
	25	116390	107510	102830	96700	92060
	20	106480	96690	92350	88120	84450
	10	87870	80200	76250	72730	69180
RP1500M8 Compressor Model 3DS3-150E	40	199090	183460	172450	167830	155810
	30	170590	155380	148360	141370	133230
	25	156330	142410	136010	128610	123290
	20	140900	129150	123280	118370	112600
	10	117170	107560	102160	97400	92610
RP2000M8 Compressor Model 4DA3-200E	40	226250	206050	197300	187290	177310
	30	192910	174500	165820	158230	149620
	25	175330	160160	152150	144170	136210
	20	161800	146700	139250	131800	124360
	10	130540	118110	111930	105060	98830
RP2500M8 Compressor Model 4DH3-250E	40	267590	256900	233970	223010	213710
	30	231730	211100	201460	193250	182090
	25	212110	195400	186500	176240	168790
	20	195230	178700	169200	162300	154140
	10	160940	146980	140050	132220	125250
RP3000M8 Compressor Model 4DJ3-300E	40	315130	290520	278640	260890	245030
	30	268170	244600	232890	223380	209560
	25	249740	224585	215700	203010	194310
	20	225290	205380	195300	187190	177390
	10	187340	170850	161410	153240	146380

* COMPRESSOR MODEL SHOWN IS FOR 208-230/3/60, EXACT MODEL MAY VARY WITH OTHER VOLTAGES.

60Hz COPELAND PERFORMANCE CAPACITY

Application Data Calculated at 65 °F. Return Gas, 0 °F. Liquid Subcooling

R404A / R507 - LOW TEMPERATURE - CAPACITY (BTU/HR)

Unit Shipped with polyolester oil

COND. UNIT MODEL *	SAT. SUCTION TEMP. °F	80°F Amb.	90°F Amb.	95°F Amb.	100°F Amb.	105°F Amb.
RP300L6 Compressor Model LAHA-032E	0	26800	24500	23200	21900	20800
	-10	21300	19100	18100	17000	15800
	-20	16100	14200	13300	12300	11400
	-30	11700	10200	9500	8800	8000
	-40	7800	6700	6199	5600	5000
RP350L6 Compressor Model 2DF3-030E	0	35400	31880	30400	28380	26670
	-10	28530	25880	24270	23060	21660
	-20	22370	20040	18880	17740	16600
	-30	16980	14980	13990	13010	12040
	-40	12920	10990	10060	9140	8310
RP400L6 Compressor Model 2DL3-040E	0	40980	37530	35400	33230	31400
	-10	33180	30010	28440	27100	25550
	-20	26220	23700	22360	21040	19730
	-30	20240	17940	16800	15680	14550
	-40	15360	13330	12320	11250	10340
RP600L6 Compressor Model 2DA3-060E	0	47560	42860	41050	38520	36770
	-10	38520	34900	33100	31570	29790
	-20	30720	27670	26160	24670	23180
	-30	23710	21100	19810	18530	17260
	-40	18050	15720	14570	13510	12380
RP610L6 Compressor Model 3DA3A060E	0	54770	50700	47980	45150	42790
	-10	45090	40810	39170	37230	35300
	-20	35510	32460	30850	29250	27670
	-30	27670	24880	23500	22140	20790
	-40	21470	18780	17520	16260	15120
RP750L6 Compressor Model 3DB3A075E	0	64780	59130	56340	53030	50260
	-10	53020	48070	46170	43920	41690
	-20	42060	38310	36460	34630	32810
	-30	32610	29390	27810	26250	24700
	-40	25200	22210	20740	19290	17960
RP900L6 Compressor Model 3DF3A090E	0	81080	74920	71630	67280	64050
	-10	66490	60240	57480	54780	52120
	-20	52060	47750	45500	43260	41040
	-30	40490	36610	34690	32790	30910
	-40	31300	27820	26100	24400	22720
RP1000L6 Compressor Model 3DS3A100E	0	91430	84480	80790	76550	73470
	-10	74810	68970	65510	62400	59750
	-20	59590	54620	52010	49420	46860
	-30	46600	42040	39790	37560	35360
	-40	35970	31710	29680	27800	25800
RP1500L6 Compressor Model 4DL3-150E	0	120540	110870	105690	98850	93750
	-10	100649	90610	86250	81930	77670
	-20	80580	72810	69610	66010	62440
	-30	63100	56910	53870	50840	47850
	-40	48460	43110	40480	37870	35290
RP2000L6 Compressor Model 4DT3-220E	0	143230	130420	122310	115450	108610
	-10	119560	108000	103120	97410	91730
	-20	97330	87660	82880	78130	73430
	-30	76100	67870	63800	59770	55770
	-40	58040	50340	46700	43170	39780
RP2500L6 Compressor Model 6DL3-270E	0	180310	165270	157740	150220	142700
	-10	147500	135160	128990	122820	116650
	-20	117100	106890	101780	96670	91560
	-30	90540	82470	78430	74390	70360
	-40	68120	61190	57720	54250	50790
RP3000L6 Compressor Model 6DT3-300E	0	206430	187520	178150	167020	157830
	-10	168400	152740	146160	138430	130760
	-20	135310	122140	115630	109180	102800
	-30	105310	93940	88320	82750	77250
	-40	81210	70620	65480	60870	55830

* COMPRESSOR MODEL SHOWN IS FOR 208-230/3/60, EXACT MODEL MAY VARY WITH OTHER VOLTAGES.

60Hz COPELAND PERFORMANCE CAPACITY

Application Data Calculated at 65 °F. Return Gas, 0 °F. Liquid Subcooling

R22 - LOW TEMPERATURE - CAPACITY (BTU/HR)

Unit Shipped with mineral oil - All Models (except RP300L2) utilize Copeland's Demand Cooling™

COND. UNIT MODEL *	SAT. SUCTION TEMP. °F	80°F Amb.	90°F Amb.	95°F Amb.	100°F Amb.	105°F Amb.
RP300L2 Compressor Model LAHA-0310	0	25090	23000	21930	20890	19840
	-10	19440	17690	16800	15920	15050
	-20	14440	12990	12250	11530	10800
	-30	10280	9070	8460	7850	7240
	-40	7130	6100	5580	5060	4540
RP350L2 Compressor Model 2DF3-0300	0	32540	29620	28190	26760	25330
	-10	25280	22920	21700	20510	19320
	-20	18990	16980	15960	14960	13950
	-30	13950	12170	11280	10390	9500
	-40	10480	8770	7920	7070	6220
RP400L2 Compressor Model 2DL3-0400	0	37400	34390	32940	31460	29950
	-10	29600	26910	25540	24210	22880
	-20	22660	20290	19070	17890	16690
	-30	16800	14710	13650	12600	11550
	-40	12150	10340	9430	8520	7610
RP600L2 Compressor Model 2DA3-0600	0	44080	40720	38970	37280	35590
	-10	34870	31810	30230	28690	27160
	-20	26710	23970	22570	21190	19840
	-30	19720	17330	16130	14940	13740
	-40	14050	12050	11050	10050	9050
RP610L2 Compressor Model 3DA3A0600	0	50210	46200	44290	42390	40500
	-10	39700	36360	34560	32920	31270
	-20	30310	27500	25930	24470	23020
	-30	22720	20140	18710	17380	16050
	-40	17090	14590	13300	11950	10720
RP750L2 Compressor Model 3DB3A0750	0	61320	56560	54310	51980	49660
	-10	49230	45120	42990	40910	38870
	-20	38580	34830	32910	31020	29160
	-30	29650	26120	24360	22600	20850
	-40	22680	19300	17620	15940	14250
RP900L2 Compressor Model 3DF3A0900	0	76000	70440	67820	65210	62600
	-10	60620	55690	53170	50690	48250
	-20	47290	42680	40350	38060	35800
	-30	35730	31580	29540	27490	25440
	-40	26140	22620	20860	19110	17350
RP1000L2 Compressor Model 3DS3A1000	0	84220	78360	75390	72490	69590
	-10	67170	61820	59080	56400	53750
	-20	52200	47260	44780	42330	39920
	-30	39320	34910	32720	30520	28350
	-40	28810	25000	23100	21210	19310
RP1500L2 Compressor Model 4DL3-1500	0	110180	101900	98000	94300	90400
	-10	88400	81100	77180	73500	69900
	-20	68800	62200	58600	55300	52000
	-30	52300	46100	42800	39700	35600
	-40	38900	33100	30100	27200	24200
RP2000L2 Compressor Model 4DT3-2200	0	132000	122680	118250	113330	108870
	-10	104870	96990	92960	88990	85000
	-20	81500	74470	70580	67120	63570
	-30	61700	55190	51940	48780	45530
	-40	46600	40500	37470	34400	31340
RP2500L2 Compressor Model 6DL3-2700	0	166480	155910	150620	145330	140050
	-10	131710	122430	117790	113150	108510
	-20	102520	94280	90160	86040	81930
	-30	77360	70890	67650	64410	61180
	-40	54930	48940	45940	42950	39950
RP3000L2 Compressor Model 6DT3-3000	0	197300	182500	175560	168300	160200
	-10	157650	144600	138300	132080	126000
	-20	122000	111300	105650	100000	94960
	-30	92460	82780	77770	73100	68280
	-40	69170	60340	55940	51500	47060

* COMPRESSOR MODEL SHOWN IS FOR 208-230/3/60, EXACT MODEL MAY VARY WITH OTHER VOLTAGES.

60Hz COPELAND PERFORMANCE CAPACITY

Application Data Calculated at 65 °F. Return Gas, 0 °F. Liquid Subcooling

R502 - LOW TEMPERATURE - CAPACITY (BTU/HR)

Unit Shipped with mineral oil

COND. UNIT MODEL *	SAT. SUCTION TEMP. °F	80°F Amb.	90°F Amb.	95°F Amb.	100°F Amb.	105°F Amb.
RP300L5 Compressor Model LAH1-0310	0	26850	24130	22860	21590	20380
	-10	21220	19100	18050	17000	15900
	-20	16210	14420	13490	12590	11700
	-30	12270	10640	9830	9030	8230
	-40	9680	8100	7320	6530	5750
RP350L5 Compressor Model 2DF3-0300	0	35210	32100	30570	29040	27520
	-10	28350	25680	24360	22980	21650
	-20	22080	19750	18590	17440	16290
	-30	16680	14650	13640	12640	11650
	-40	12390	10610	9720	8840	7960
RP400L5 Compressor Model 2DL3-0400	0	39610	36160	34530	39920	31310
	-10	32280	29580	28250	26850	25500
	-20	25630	23360	22220	21100	19990
	-30	19870	17890	16910	15940	14980
	-40	15330	13510	12610	11700	10800
RP600L5 Compressor Model 2DA3-0600	0	46290	42750	41000	39270	37550
	-10	37710	34780	33320	31800	30340
	-20	29930	27430	26190	24960	23730
	-30	23360	21170	20090	19020	17960
	-40	18300	16310	15310	14320	12240
RP610L5 Compressor Model 3DA3A0600	0	54200	50050	47900	45870	43720
	-10	44260	40620	38720	36880	35040
	-20	35400	31990	30350	28710	27100
	-30	27430	24560	23030	21570	20170
	-40	20100	18420	17100	15780	14470
RP750L5 Compressor Model 3DB3A0750	0	64430	60000	57810	55650	53350
	-10	52850	49850	46930	44980	43040
	-20	42290	38780	37040	35320	33610
	-30	33090	30010	28460	26930	25400
	-40	25750	22640	21560	20170	18790
RP900L5 Compressor Model 3DF3A0900	0	78690	72460	69540	66630	63740
	-10	64610	59170	56620	54000	51440
	-20	51490	46920	44660	42400	40140
	-30	40320	36240	34220	32220	30230
	-40	31200	27540	25720	23910	22100
RP1000L5 Compressor Model 3DS3A1000	0	89410	83120	80010	76920	73850
	-10	72960	67450	64720	61940	59210
	-20	58160	53350	50870	48460	46060
	-30	45460	41140	39010	36900	34790
	-40	35220	31430	29560	27690	25830
RP1500L5 Compressor Model 4DL3-1500	0	116800	108870	104840	100370	96350
	-10	95260	87670	84100	80450	76980
	-20	75600	69200	65840	62600	59480
	-30	59200	53230	50290	47460	44540
	-40	46000	40690	38000	35370	32700
RP2000L5 Compressor Model 4DT3-2200	0	138120	128000	123280	118700	113940
	-10	114090	105800	101540	96990	92750
	-20	93030	85140	81460	77730	73950
	-30	74500	67700	63990	60600	57240
	-40	59510	53280	50170	47070	43980
RP2500L5 Compressor Model 6DL3-2700	0	183560	170840	164490	158130	151780
	-10	150120	139210	133760	128300	122850
	-20	120310	111170	106600	102030	97470
	-30	94160	86520	82690	78870	75040
	-40	70110	63700	60490	57290	54080
RP3000L5 Compressor Model 6DT3-3000	0	206270	189090	179740	171170	162490
	-10	168540	153700	146320	138190	130810
	-20	134460	121830	114870	108580	102360
	-30	104130	93440	88040	82830	77540
	-40	79890	70940	66500	62080	57660

* COMPRESSOR MODEL SHOWN IS FOR 208-230/3/60, EXACT MODEL MAY VARY WITH OTHER VOLTAGES.

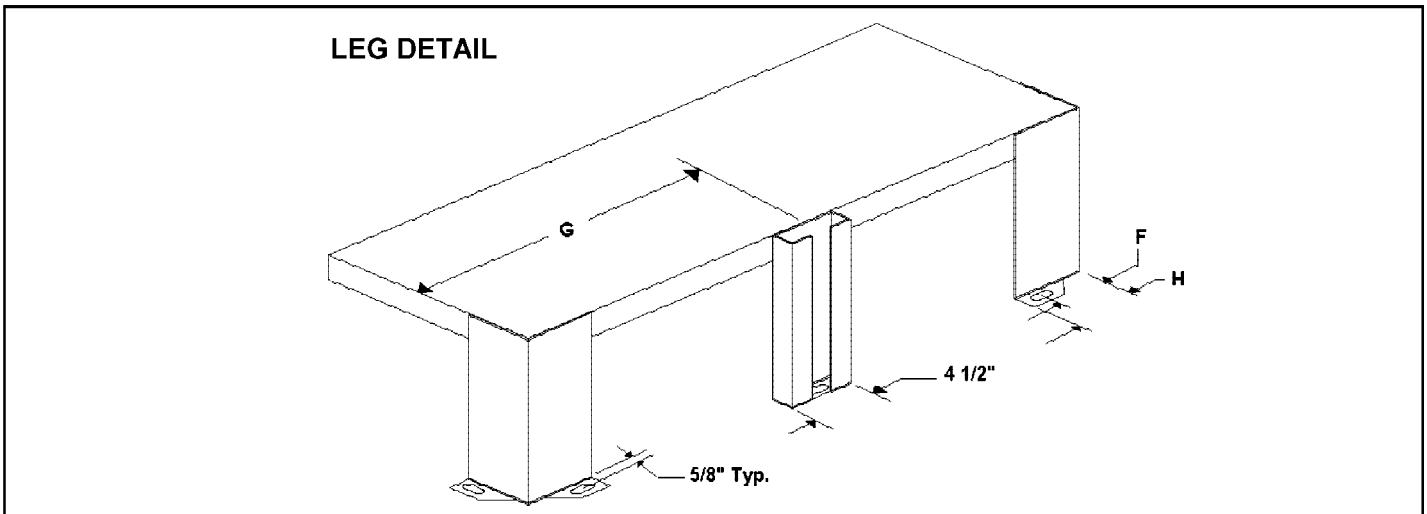
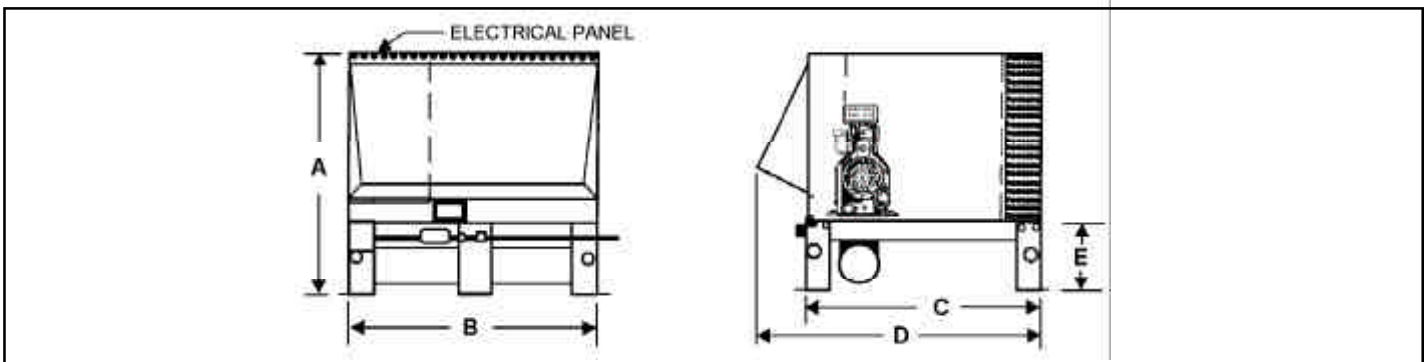
RP - LINE DIMENSIONAL DATA

CONDENSING UNIT MODEL NUMBERS	DIMENSIONS							
	A	B	C	D	E	F	G †	H
RP290M1, RP300M8, RP300L2, RP300L5, RP300L6	35 1/2"	38 1/4"	35 1/4"	46"	9 13/16"	2 1/8"	N/A	3 1/2"
RP350L2, RP350L5, RP350L6, RP400L2, RP400L5, RP400L6	35 1/2"	48 1/4"	35 1/4"	46"	9 13/16"	2 1/8"	N/A	3 1/2"
RP300M1, RP500M8, RP510M8, RP600M1, RP600L2, RP600L5, RP600L6, RP610L2, RP610L5, RP610L6, RP620M1, RP750L2, RP750L5, RP750L6	35 1/2"	58 1/4"	35 1/4"	46"	9 13/16"	2 1/8"	N/A	3 1/2"
RP630M1, RP750M1, RP750M8, RP760M8, RP900M1, RP900L2, RP900L5, RP900L6, RP1000M1	39"	68 1/4"	42 1/4"	55"	9 13/16"	2 1/8"	34 1/8"	3 1/2"
RP1000M8, RP1000L2, RP1000L5, RP1000L6, RP1010M1, RP1500M1, RP1500M8, RP1500L2, RP1500L5, RP1500L6, RP2000L2, RP2000L5, RP2000L6	49"	68 1/4"	42 1/4"	57"	9 13/16"	2 1/8"	34 1/8"	3 1/2"
RP2000M8, RP2500M8, RP2500L2, RP2500L5, RP2500L6, RP3000M8, RP3000L2, RP3000L5, RP3000L6	49"	98 1/4"	46 1/4"	66 1/4"	9 13/16"	2 1/8"	49 1/8"	3 1/2"
RP2500M8, RP2500L2, RP2500L5, RP2500L6, RP3000M8, RP3000L2, RP3000L5, RP3000L6	**53"	98 1/4"	46 1/4"	66 1/4"	13 13/16"	4"	49 1/8"	6"

** For outdoor units only, dimension 'A' is increased due to larger receiver

* Indoor units only

† Center leg not required for all models



RP - LINE SPECIFICATIONS

MODEL	COMPRESSOR *	CONNECTIONS		RECEIVER CAPACITY 90% FULL (LBS)		SHIPPING Wt. (LBS)
		LIQUID (OD)	SUCTION (OD)	INDOOR	OUTDOOR	
RP290M1 - HS2, HT3, HT4	LAHB-031E	1/2	1 1/8	29	29	540
RP300M1 - HS2, HT3, HT4, HT5	2DF3-030E	1/2	1 1/8	44	70	788
RP600M1 - HT3, HT4, HT5	2DA3-060E	5/8	1 3/8	44	70	810
RP620M1 - HT3, HT4, HT5	3DA3-060E	5/8	1 3/8	44	70	880
RP630M1 - HT3, HT4, HT5	3DA3-060E	5/8	1 3/8	70	70	1090
RP750M1 - HT3, HT4, HT5	3DB3-075E	5/8	1 3/8	70	70	1090
RP900M1 - HT3, HT4, HT5	3DF3-090E	5/8	1 3/8	70	82	1140
RP1000M1 - HT3, HT4, HT5	3DS3-100E	5/8	1 3/8	82	119	1186
RP1010M1 - HT3, HT4, HT5	4DA3-100E	7/8	1 5/8	82	119	1210
RP1500M1 - HT3, HT4, HT5	4DH3-150E	7/8	1 5/8	82	119	1335

MODEL	COMPRESSOR *	CONNECTIONS		RECEIVER CAPACITY 90% FULL (LBS)				SHIPPING Wt. (LBS)
		LIQUID (OD)	SUCTION (OD)	INDOOR		OUTDOOR		
				R22	R404A/ R507	R22	R404A/ R507	
RP300M8 - HS2, HT3, HT4, HT5	ERFA-031E	1/2	1 1/8	29	25	29	25	450
RP500M8 - HS2, HT3, HT4, HT5	2DC3-050E	5/8	1 3/8	44	38	70	61	730
RP510M8 - HT3, HT4, HT5	2DD3-050E	5/8	1 3/8	44	38	70	61	730
RP750M8 - HT3, HT4, HT5	2DL3-075E	5/8	1 3/8	44	38	70	61	890
RP760M8 - HT3, HT4, HT5	3DA3-075E	5/8	1 3/8	70	38	70	61	1000
RP1000M8 - HT3, HT4, HT5	3DB3-100E	5/8	1 3/8	70	72	95	72	1000
RP1500M8 - HT3, HT4, HT5	3DS3-150E	7/8	1 5/8	82	72	119	104	1075
RP2000M8 - HT3, HT4, HT5	4DA3-200E	7/8	1 5/8	119	72	119	104	1417
RP2500M8 - HT3, HT4, HT5	4DH3-250E	1 1/8	2 1/8	119	82	181	125	1470
RP3000M8 - HT3, HT4, HT5	4DJ3-300E	1 1/8	2 1/8	119	104	181	125	1475

* COMPRESSOR MODEL SHOWN IS FOR 208-230/3/60, EXACT MODEL MAY VARY WITH OTHER VOLTAGES.

RP - LINE SPECIFICATIONS

MODEL	COMPRESSOR *	CONNECTIONS		RECEIVER CAPACITY 90% FULL (LBS)		SHIPPING Wt. (LBS)
		LIQUID (OD)	SUCTION (OD)	INDOOR	OUTDOOR	
RP300L2 - HS2,HT3,HT4,HT5	LAHA-0310	1/2	1 1/8	29	29	540
RP350L2 - HS2,HT3,HT4,HT5	2DF3-0300	1/2	1 1/8	35	35	685
RP400L2 - HT3,HT4,HT5	2DL3-0400	1/2	1 1/8	35	35	685
RP600L2 - HT3,HT4,HT5	2DA3-0600	5/8	1 3/8	44	70	788
RP610L2 - HT3,HT4,HT5	3DA3A0600	5/8	1 3/8	44	70	878
RP750L2 - HT3,HT4,HT5	3DB3A0750	5/8	1 3/8	70	70	880
RP900L2 - HT3,HT4,HT5	3DF3A0900	5/8	1 3/8	70	70	1090
RP1000L2 - HT3,HT4,HT5	3DS3A1000	5/8	1 3/8	70	95	1125
RP1500L2 - HT3,HT4,HT5	4DL3-1500	7/8	1 5/8	82	119	1260
RP2000L2 - HT3,HT4,HT5	4DT3-2200	1 1/8	2 1/8	119	119	1330
RP2500L2 - HT3,HT4,HT5	6DL3-2700	1 1/8	2 1/8	119	181	1473
RP3000L2 - HT3,HT4,HT5	6DT3-3000	1 1/8	2 1/8	119	181	1805
RP300L5 - HS2,HT3,HT4,HT5	LAH1-0310	1/2	1 1/8	29	29	540
RP350L5 - HS2,HT3,HT4,HT5	2DF3-0300	1/2	1 1/8	35	35	685
RP400L5 - HT3,HT4,HT5	2DL3-0400	1/2	1 1/8	35	35	685
RP600L5 - HT3,HT4,HT5	2DA3-0600	5/8	1 3/8	44	44	760
RP610L5 - HT3,HT4,HT5	3DA3A0600	5/8	1 3/8	44	44	850
RP750L5 - HT3,HT4,HT5	3DB3A0750	5/8	1 3/8	44	71	880
RP900L5 - HT3,HT4,HT5	3DF3A0900	5/8	1 3/8	71	71	1090
RP1000L5 - HT3,HT4,HT5	3DS3A1000	5/8	1 3/8	83	83	1125
RP1500L5 - HT3,HT4,HT5	4DL3-1500	7/8	1 5/8	83	120	1260
RP2000L5 - HT3,HT4,HT5	4DT3-2200	1 1/8	2 1/8	83	120	1330
RP2500L5 - HT3,HT4,HT5	6DL3-2700	1 1/8	2 1/8	120	145	1443
RP3000L5 - HT3,HT4,HT5	6DT3-3000	1 1/8	2 1/8	120	145	1775

* COMPRESSOR MODEL SHOWN IS FOR 208-230/3/60, EXACT MODEL MAY VARY WITH OTHER VOLTAGES.

RP - LINE SPECIFICATIONS

MODEL	COMPRESSOR *	CONNECTIONS		RECEIVER CAPACITY 90% FULL (LBS)		SHIPPING Wt. (LBS)
		LIQUID (OD)	SUCTION (OD)	INDOOR	OUTDOOR	
RP300L6 - HS2,HT3,HT4	LAHA - 032E	1/2	1 1/8	25	25	540
RP350L6 - HT3,HT4,HT5	2DF3 - 030E	1/2	1 1/8	30	30	685
RP400L6 - HT3,HT4,HT5	2DL3 - 040E	1/2	1 1/8	30	30	685
RP600L6 - HT3,HT4,HT5	2DA3 - 060E	5/8	1 3/8	38	38	760
RP610L6 - HT3,HT4,HT5	3DA3 -A060E	5/8	1 3/8	38	38	850
RP750L6 - HT3,HT4,HT5	3DB3 -A075E	5/8	1 3/8	38	61	880
RP900L6 - HT3,HT4,HT5	3DF3 -A090E	5/8	1 3/8	61	61	1090
RP1000L6 - HT3,HT4,HT5	3DS3 -A100E	5/8	1 3/8	72	72	1125
RP1500L6 - HT3,HT4,HT5	4DL3 - 150E	7/8	1 5/8	72	104	1260
RP2000L6 - HT3,HT4,HT5	4DT3 - 220E	1 1/8	2 1/8	72	104	1330
RP2500L6 - HT3,HT4,HT5	6DL3 - 270E	1 1/8	2 1/8	104	125	1443
RP3000L6 - HT3,HT4,HT5	6DT3 - 300E	1 1/8	2 1/8	104	125	1775

* COMPRESSOR MODEL SHOWN IS FOR 208-230/3/60, EXACT MODEL MAY VARY WITH OTHER VOLTAGES.

RP - LINE ELECTRICAL SPECIFICATIONS

MODEL	POWER SUPPLY	COMPRESSOR		CONDENSER FANS			TOTAL AMPS	M.C.A.	M.O.P.
		RLA	LRA	QTY	Hp @	FLA @			
RP290M1 - HS2	208-230/1/60	16.6	93	1	1/3	3.2	19.8	24.0	40
RP290M1 - HT3	208-230/3/60	8.5	82	1	1/3	3.2	11.7	13.8	20
RP290M1 - HT4	460/3/60	6.0	56	1	1/3	1.6	7.6	9.1	15
RP300M1 - HS2	208-230/1/60	25.8	125	2	1/2	4.6	35.0	41.5	60
RP300M1 - HT3	208-230/3/60	16.8	102	2	1/2	4.6	26.0	30.2	40
RP300M1 - HT4	460/3/60	8.1	52	2	1/2	2.3	12.7	14.7	20
RP300M1 - HT5	575/3/60	6.7	41	2	1/2	2.3	11.3	13.0	20
RP600M1 - HT3	208-230/3/60	28.8	161	2	1/2	4.6	39.0	45.2	70
RP600M1 - HT4	460/3/60	10.2	60	2	1/2	2.3	14.8	17.3	25
RP600M1 - HT5	575/3/60	9.1	49	2	1/2	2.3	13.7	16.0	25
RP620M1 - HT3	208-230/3/60	30.3	150	2	1/2	4.6	39.5	47.1	70
RP620M1 - HT4	460/3/60	13.7	77	2	1/2	2.3	18.3	21.7	30
RP620M1 - HT5	575/3/60	10.5	62	2	1/2	2.3	15.1	17.9	25
RP630M1 - HT3	208-230/3/60	30.3	150	2	3/4	4.2	38.7	46.3	70
RP630M1 - HT4	460/3/60	13.7	77	2	3/4	2.1	17.9	21.3	30
RP630M1 - HT5	575/3/60	10.5	62	2	3/4	2.1	14.7	17.3	25
RP750M1 - HT3	208-230/3/60	31.5	161	2	3/4	4.2	39.9	47.8	80
RP750M1 - HT4	460/3/60	16.1	83	2	3/4	2.1	20.3	24.3	40
RP750M1 - HT5	575/3/60	11.0	67	2	3/4	2.1	15.2	18.0	30
RP900M1 - HT3	208-230/3/60	39.0	215	2	3/4	4.2	47.4	57.2	90
RP900M1 - HT4	460/3/60	16.9	106	2	3/4	2.1	21.1	25.3	40
RP900M1 - HT5	575/3/60	16.5	84	2	3/4	2.1	20.7	24.8	40
RP1000M1 - HT3	208-230/3/60	42.0	215	2	3/4	4.2	50.4	60.9	100
RP1000M1 - HT4	460/3/60	18.6	106	2	3/4	2.1	22.8	27.5	40
RP1000M1 - HT5	575/3/60	16.8	84	2	3/4	2.1	21.0	25.2	40
RP1010M1 - HT3	208-230/3/60	42.0	240	2	3/4	4.2	50.8	60.9	100
RP1010M1 - HT4	460/3/60	21.0	120	2	3/4	2.1	25.2	30.5	50
RP1010M1 - HT5	575/3/60	17.5	106	2	3/4	2.1	21.7	26.1	40
RP1500M1 - HT3	208-230/3/60	58.0	278	2	3/4	4.2	66.4	80.9	125
RP1500M1 - HT4	460/3/60	29.0	139	2	3/4	2.1	33.2	40.5	70
RP1500M1 - HT5	575/3/60	24.3	113	2	3/4	2.1	28.5	34.6	50

M.O.P. = Maximum Overcurrent Protection

M.C.A. = Minimum Circuit Ampacity

RP - LINE ELECTRICAL SPECIFICATIONS

MODEL	POWER SUPPLY	COMPRESSOR		CONDENSER FANS			TOTAL AMPS	M.C.A.	M.O.P.
		RLA	LRA	QTY	Hp @	FLA @			
RP300M8 - HS2	208-230/1/60	17.0	86	1	1/3	3.2	20.2	24.5	40
RP300M8 - HT3	208-230/3/60	12.4	82	1	1/3	3.2	15.6	18.7	30
RP300M8 - HT4	460/3/60	5.8	41	1	1/3	1.6	7.4	8.9	15
RP300M8 - HT5	575/3/60	5.2	30	1	1/3	1.6	6.8	8.1	15
RP500M8 - HT3	208-230/3/60	22.3	120	2	1/2	4.6	31.5	37.5	60
RP500M8 - HT4	460/3/60	10.4	60	2	1/2	2.3	15.0	17.6	25
RP500M8 - HT5	575/3/60	7.7	49	2	1/2	2.3	12.3	14.2	20
RP510M8 - HT3	208-230/3/60	22.3	120	2	1/2	4.6	31.5	37.1	60
RP510M8 - HT4	460/3/60	10.5	60	2	1/2	2.3	15.1	17.7	25
RP510M8 - HT5	575/3/60	7.9	49	2	1/2	2.3	12.5	14.5	20
RP750M8 - HT3	208-230/3/60	31.6	169	2	3/4	4.2	40.0	47.9	80
RP750M8 - HT4	460/3/60	13.8	85	2	3/4	2.1	18.0	21.5	35
RP750M8 - HT5	575/3/60	13.2	67	2	3/4	2.1	17.4	20.7	30
RP760M8 - HT3	208-230/3/60	41.0	215	2	3/4	4.2	49.4	59.7	100
RP760M8 - HT4	460/3/60	20.0	106	2	3/4	2.1	24.2	29.2	50
RP760M8 - HT5	575/3/60	16.5	84	2	3/4	2.1	20.7	24.8	40
RP1000M8 - HT3	208-230/3/60	43.6	215	2	3/4	4.2	52.0	62.9	100
RP1000M8 - HT4	460/3/60	20.0	106	2	3/4	2.1	24.2	29.4	50
RP1000M8 - HT5	575/3/60	16.5	84	2	3/4	2.1	20.7	24.8	40
RP1500M8 - HT3	208-230/3/60	59.6	275	2	3/4	4.2	68.0	82.9	125
RP1500M8 - HT4	460/3/60	29.0	138	2	3/4	2.1	33.2	40.5	70
RP1500M8 - HT5	575/3/60	23.6	110	2	3/4	2.1	27.8	33.7	50
RP2000M8 - HT3	208-230/3/60	66.0	308	3	3/4	4.2	78.6	95.1	150
RP2000M8 - HT4	460/3/60	33.0	154	3	3/4	2.1	39.3	47.6	80
RP2000M8 - HT5	575/3/60	24.7	135	3	3/4	2.1	31.0	37.2	60
RP2500M8 - HT3	208-230/3/60	82.2	428	3	3/4	4.2	94.8	115.4	200
RP2500M8 - HT4	460/3/60	41.1	214	3	3/4	2.1	47.4	57.7	100
RP2500M8 - HT5	575/3/60	34.4	172	3	3/4	2.1	40.7	49.3	80
RP3000M8 - HT3	208-230/3/60	94.0	470	3	3/4	4.2	106.6	130.1	225
RP3000M8 - HT4	460/3/60	47.0	235	3	3/4	2.1	53.3	65.1	110
RP3000M8 - HT5	575/3/60	39.3	200	3	3/4	2.1	45.6	55.4	90

M.O.P. = Maximum Overcurrent Protection
M.C.A. = Minimum Circuit Ampacity

RP - LINE ELECTRICAL SPECIFICATIONS

MODEL	POWER SUPPLY	COMPRESSOR		CONDENSER FANS			TOTAL AMPS	MCA	MAX FUSE
		RLA	LRA	QTY	Hp @	FLA @			
RP300L6 - HS2	208-230/1/60	16.7	105	1	1/3	3.2	19.9	24.1	40
RP300L6 - HT3	208-230/3/60	12.8	112	1	1/3	3.2	16.0	19.2	30
RP300L6 - HT4	460/3/60	6.0	56	1	1/3	1.6	7.6	9.1	15
RP350L6 - HT3	208-230/3/60	16.8	102	1	1/2	4.6	21.4	25.6	40
RP350L6 - HT4	460/3/60	8.1	52	1	1/2	2.3	10.4	12.4	20
RP350L6 - HT5	575/3/60	6.7	41	1	1/2	2.3	9.0	10.7	15
RP400L6 - HT3	208-230/3/60	26.3	161	1	1/2	4.6	30.9	37.5	60
RP400L6 - HT4	460/3/60	10.2	60	1	1/2	2.3	12.5	15.0	25
RP400L6 - HT5	575/3/60	7.7	49	1	1/2	2.3	10.0	11.9	20
RP600L6 - HT3	208-230/3/60	28.8	161	2	1/2	4.6	38.0	45.2	70
RP600L6 - HT4	460/3/60	10.2	60	2	1/2	2.3	14.8	17.3	25
RP600L6 - HT5	575/3/60	9.1	49	2	1/2	2.3	13.7	16.0	25
RP610L6 - HT3	208-230/3/60	30.3	150	2	1/2	4.6	39.5	47.1	70
RP610L6 - HT4	460/3/60	13.7	77	2	1/2	2.3	18.3	21.7	30
RP610L6 - HT5	575/3/60	10.5	62	2	1/2	2.3	15.1	17.7	25
RP750L6 - HT3	208-230/3/60	31.5	161	2	1/2	4.6	40.7	48.8	80
RP750L6 - HT4	460/3/60	16.1	83	2	1/2	2.3	20.7	24.7	40
RP750L6 - HT5	575/3/60	11.0	67	2	1/2	2.3	15.6	18.4	30
RP900L6 - HT3	208-230/3/60	39.0	215	2	3/4	4.2	47.4	57.2	90
RP900L6 - HT4	460/3/60	16.9	106	2	3/4	2.1	21.1	25.3	40
RP900L6 - HT5	575/3/60	16.5	84	2	3/4	2.1	20.7	24.8	40
RP1000L6 - HT3	208-230/3/60	42.0	215	2	3/4	4.2	50.4	60.9	100
RP1000L6 - HT4	460/3/60	18.6	106	2	3/4	2.1	22.8	27.5	40
RP1000L6 - HT5	575/3/60	16.8	84	2	3/4	2.1	21.0	25.2	40
RP1500L6 - HT3	208-230/3/60	52.6	278	2	3/4	4.2	61.0	74.2	125
RP1500L6 - HT4	460/3/60	26.3	139	2	3/4	2.1	30.5	37.1	60
RP1500L6 - HT5	575/3/60	20.9	113	2	3/4	2.1	25.1	30.3	50
RP2000L6 - HT3	208-230/3/60	66.0	374	2	3/4	4.2	74.4	90.9	150
RP2000L6 - HT4	460/3/60	33.0	187	2	3/4	2.1	37.2	45.5	75
RP2000L6 - HT5	575/3/60	24.2	135	2	3/4	2.1	28.4	34.5	60
RP2500L6 - HT3	208-230/3/60	80.8	450	3	3/4	4.2	93.4	113.6	175
RP2500L6 - HT4	460/3/60	40.4	225	3	3/4	2.1	46.7	56.8	90
RP2500L6 - HT5	575/3/60	32.5	172	3	3/4	2.1	38.8	46.9	70
RP3000L6 - HT3	208-230/3/60	95.6	470	3	3/4	4.2	108.2	132.1	225
RP3000L6 - HT4	460/3/60	47.8	235	3	3/4	2.1	54.1	66.1	110
RP3000L6 - HT5	575/3/60	39.6	200	3	3/4	2.1	45.9	55.8	90

M.O.P. = Maximum Overcurrent Protection

M.C.A. = Minimum Circuit Ampacity

RP - LINE ELECTRICAL SPECIFICATIONS

MODEL	POWER SUPPLY	COMPRESSOR		CONDENSER FANS			TOTAL AMPS	M.C.A.	M.O.P.
		RLA	LRA	QTY	Hp @	FLA @			
RP300L5 - HS2	208-230/1/60	15.1	86	1	1/3	3.2	18.3	22.1	40
RP300L5 - HT3	208-230/3/60	10.7	82	1	1/3	3.2	13.9	16.6	25
RP300L5 - HT4	480/3/60	5.7	41	1	1/3	1.6	7.3	8.7	15
RP300L5 - HT5	575/3/60	4.0	30	1	1/3	1.6	5.6	6.6	15
RP350L5 - HS2	208-230/1/60	25.8	125	1	1/2	4.6	30.4	36.9	60
RP350L5 - HT3	208-230/3/60	16.8	102	1	1/2	4.6	21.4	25.6	40
RP350L5 - HT4	460/3/60	8.1	52	1	1/2	2.3	10.4	12.4	20
RP350L5 - HT5	575/3/60	6.7	41	1	1/2	2.3	9.0	10.7	15
RP400L5 - HT3	208-230/3/60	26.3	161	1	1/2	4.6	30.9	37.5	60
RP400L5 - HT4	460/3/60	10.2	60	1	1/2	2.3	12.5	15.0	25
RP400L5 - HT5	575/3/60	7.7	49	1	1/2	2.3	10.0	11.9	20
RP600L5 - HT3	208-230/3/60	28.8	161	2	1/2	4.6	38.0	45.2	70
RP600L5 - HT4	460/3/60	10.2	60	2	1/2	2.3	14.8	17.3	25
RP600L5 - HT5	575/3/60	9.1	49	2	1/2	2.3	13.7	16.0	25
RP610L5 - HT3	208-230/3/60	26.5	150	2	1/2	4.6	35.7	42.3	70
RP610L5 - HT4	460/3/60	12.0	77	2	1/2	2.3	16.6	19.6	30
RP610L5 - HT5	575/3/60	10.5	62	2	1/2	2.3	15.1	17.7	25
RP750L5 - HT3	208-230/3/60	31.5	161	2	1/2	4.6	40.7	48.6	80
RP750L5 - HT4	460/3/60	16.1	83	2	1/2	2.3	20.7	24.7	40
RP750L5 - HT5	575/3/60	11.0	67	2	1/2	2.3	15.6	18.4	30
RP900L5 - HT3	208-230/3/60	39.0	215	2	3/4	4.2	47.4	57.2	90
RP900L5 - HT4	460/3/60	16.9	106	2	3/4	2.1	21.1	25.3	40
RP900L5 - HT5	575/3/60	16.5	84	2	3/4	2.1	20.7	24.8	40
RP1000L5 - HT3	208-230/3/60	42.0	215	2	3/4	4.2	50.4	60.9	90
RP1000L5 - HT4	460/3/60	18.6	106	2	3/4	2.1	22.8	27.5	40
RP1000L5 - HT5	575/3/60	16.8	84	2	3/4	2.1	21.0	25.2	40
RP1500L5 - HT3	208-230/3/60	52.6	278	2	3/4	4.2	61.0	74.2	125
RP1500L5 - HT4	460/3/60	26.3	139	2	3/4	2.1	30.5	37.1	60
RP1500L5 - HT5	575/3/60	20.9	113	2	3/4	2.1	25.1	30.3	50
RP2000L5 - HT3	208-230/3/60	66.0	374	2	3/4	4.2	74.4	90.9	150
RP2000L5 - HT4	460/3/60	33.0	187	2	3/4	2.1	37.2	45.5	80
RP2000L5 - HT5	575/3/60	24.2	135	2	3/4	2.1	28.4	34.5	50
RP2500L5 - HT3	208-230/3/60	80.8	450	3	3/4	4.2	93.4	113.6	175
RP2500L5 - HT4	460/3/60	40.4	225	3	3/4	2.1	46.7	56.8	90
RP2500L5 - HT5	575/3/60	32.5	172	3	3/4	2.1	38.8	46.9	70
RP3000L5 - HT3	208-230/3/60	95.6	470	3	3/4	4.2	108.2	132.1	225
RP3000L5 - HT4	460/3/60	47.8	235	3	3/4	2.1	54.1	66.1	110
RP3000L5 - HT5	575/3/60	39.6	200	3	3/4	2.1	45.9	55.8	90

M.O.P. = Maximum Overcurrent Protection

M.C.A. = Minimum Circuit Ampacity

RP - LINE ELECTRICAL SPECIFICATIONS

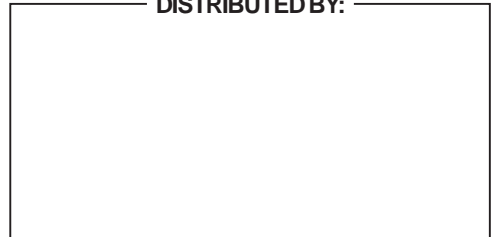
MODEL	POWER SUPPLY	COMPRESSOR		CONDENSER FANS			TOTAL AMPS	M.C.A.	M.O.P
		RLA	LRA	QTY	Hp @	FLA @			
RP300L2 - HS2	208-230/1/60	16.6	86	1	1/3	3.2	19.8	24.0	40
RP300L2 - HT3	208-230/3/60	10.7	82	1	1/3	3.2	13.9	16.6	25
RP300L2 - HT4	460/3/60	5.2	41	1	1/3	1.6	6.8	8.1	15
RP300L2 - HT5	575/3/60	4.0	30	1	1/3	1.6	5.6	6.6	15
RP350L2 - HS2	208-230/1/60	25.8	125	1	1/2	4.6	30.4	36.9	60
RP350L2 - HT3	208-230/3/60	16.8	102	1	1/2	4.6	21.4	25.6	40
RP350L2 - HT4	460/3/60	8.1	52	1	1/2	2.3	10.4	12.4	20
RP350L2 - HT5	575/3/60	6.7	41	1	1/2	2.3	9.0	10.7	15
RP400L2 - HT3	208-230/3/60	26.3	161	1	1/2	4.6	30.9	37.5	60
RP400L2 - HT4	460/3/60	10.2	60	1	1/2	2.3	12.5	15.0	25
RP400L2 - HT5	575/3/60	7.7	49	1	1/2	2.3	10.0	11.9	20
RP600L2 - HT3	208-230/3/60	28.8	161	2	1/2	4.6	38.0	45.2	70
RP600L2 - HT4	460/3/60	10.2	60	2	1/2	2.3	14.8	17.3	25
RP600L2 - HT5	575/3/60	9.1	49	2	1/2	2.3	13.7	16.0	25
RP610L2 - HT3	208-230/3/60	30.3	150	2	1/2	4.6	39.5	47.1	70
RP610L2 - HT4	460/3/60	13.7	77	2	1/2	2.3	18.3	21.7	35
RP610L2 - HT5	575/3/6	10.5	62	2	1/2	2.3	15.1	17.7	25
RP750L2 - HT3	208-230/3/60	31.5	161	2	1/2	4.6	40.7	48.6	80
RP750L2 - HT4	460/3/60	16.1	83	2	1/2	2.3	20.7	24.7	40
RP750L2 - HT5	575/3/60	11.0	67	2	1/2	2.3	15.6	18.4	30
RP900L2 - HT3	208-230/3/60	39.0	215	2	3/4	4.2	47.4	57.2	100
RP900L2 - HT4	460/3/60	16.9	106	2	3/4	2.1	21.1	25.3	40
RP900L2 - HT5	575/3/60	16.5	84	2	3/4	2.1	20.7	24.8	40
RP1000L2 - HT3	208-230/3/60	42.0	215	2	3/4	4.2	50.4	60.9	90
RP1000L2 - HT4	460/3/60	18.6	106	2	3/4	2.1	22.8	27.5	40
RP1000L2 - HT5	575/3/60	16.8	84	2	3/4	2.1	21.0	25.2	40
RP1500L2 - HT3	208-230/3/60	52.6	278	2	3/4	4.2	61.0	74.2	125
RP1500L2 - HT4	460/3/60	26.3	139	2	3/4	2.1	30.5	37.1	60
RP1500L2 - HT5	575/3/60	20.9	113	2	3/4	2.1	25.1	30.3	50
RP2000L2 - HT3	208-230/3/60	66.0	374	2	3/4	4.2	74.4	90.9	150
RP2000L2 - HT4	460/3/60	33.0	187	2	3/4	2.1	37.2	45.5	80
RP2000L2 - HT5	575/3/60	24.2	135	2	3/4	2.1	28.4	34.5	50
RP2500L2 - HT3	208-230/3/60	80.8	450	3	3/4	4.2	93.4	113.6	175
RP2500L2 - HT4	460/3/60	40.4	225	3	3/4	2.1	46.7	56.8	90
RP2500L2 - HT5	575/3/60	32.5	172	3	3/4	2.1	38.8	46.9	70
RP3000L2 - HT3	208-230/3/60	95.6	470	3	3/4	4.2	108.2	132.1	225
RP3000L2 - HT4	460/3/60	47.8	235	3	3/4	2.1	54.1	66.1	110
RP3000L2 - HT5	575/3/60	39.6	200	3	3/4	2.1	45.9	55.8	90

M.O.P. = Maximum Overcurrent Protection
M.C.A. = Minimum Circuit Ampacity



General Sales, Parts & Service Manufacturing & Engineering
135 Little Nine Drive, Morehead City, NC 28557
252-240-2829 • 1-800-24-BALLY • FAX: 252-240-0384
e-mail: ballysales@ballyrefboxes.com • www.ballyrefboxes.com

DISTRIBUTED BY:



Due to Manufacturer's policy of continuous product improvement, the Manufacturer reserves the right to make changes without notice.