

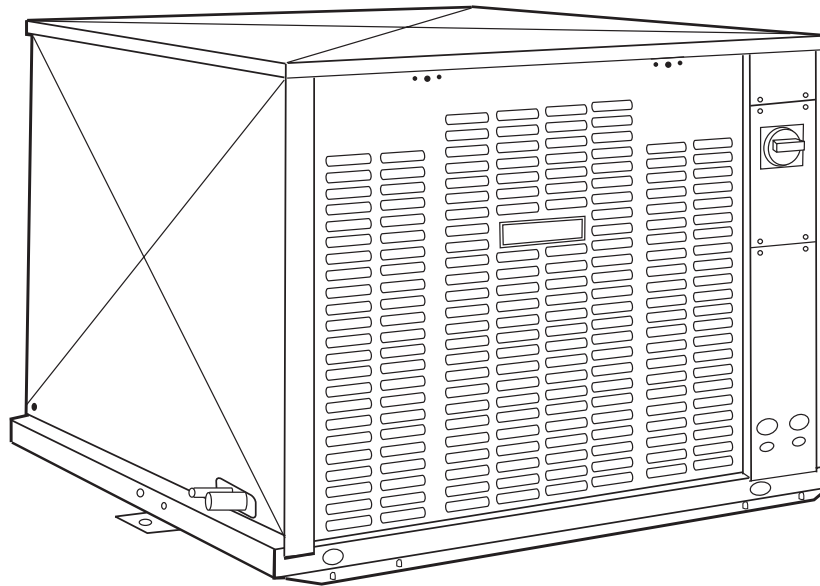
**PRODUCT DATA &
SPECIFICATIONS**

Bulletin B40-BE-PDS-60-12

1077389

60
Hz

Outdoor Air-Cooled
Semi-Hermetic
Condensing Units
3 to 7-1/2 HP -
High Medium and Low
Temperature Refrigeration



CONTENTS

	Page
Nomenclature.....	2
Features.....	2-4
Capacity Data (Imperial and <i>Metric</i>).....	5 -12
Electrical Data.....	13 - 16
Dimensional Data.....	17, 18
Specifications.....	19, 20
Wiring Diagrams.....	21 - 23

NOMENCLATURE

BEA 075 H 6 - H T3 A

BE Excel Model Series

BEA = Bally outdoor air cooled Condensing Unit using Copeland Semi-Hermetic compressor
 BEB = Bally outdoor air cooled Condensing Unit using Bitzer Semi-Hermetic compressor

Nominal HP

075 = 7-1/2 HP

Application Range

H = High and Med. Temp (0 to 45 °F evap temp.)
 M = Med. Temp (Limited within 0 to 25 °F evap temp.)
 L = Low Temp. (-40 to 0 °F evap temp.)

Refrigerant

2 = R22, 6 = R404A/R507

Enclosure

H = Outdoor

Series Generation

A = Latest catalog spec (1st generation)
 X = Special Custom Model (Deviates from catalog)

Voltage*

S2 = 208-230/1/60
 S3 = 230/1/60
 T3 = 208-230/3/60
 T4 = 460/3/60
 T5 = 575/3/60

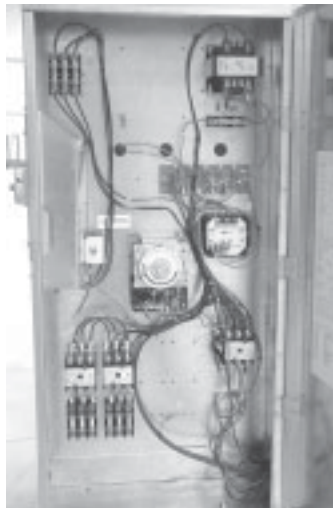
* Subject to compressor availability

PRODUCT FEATURES



Compact Design

Pre-Formed Piping



Large Electrical Panel



PRODUCT FEATURES AND BENEFITS

-
- | | |
|--|---|
| • Compact design | • Smaller foot print, occupies minimum space, allows for better jobsite placement, installation and service |
| • High efficiency enhanced tube and fin condenser design | • Better unit performance |
| • Factory piped suction line terminated outside unit | • Quick jobsite installation |
| • Pre-formed piping | • Minimizes potential leaks and increases unit reliability |
| • Vertical receiver | • Ensures positive liquid seal with less refrigerant |
| • Quiet fan motor operation | • Acceptable sound level while unit is operating in residential, commercial and industrial environment |
| • Energy efficient PSC condenser fan motor | • Results in savings on power bills |
| • Large electrical control panel away from air flow stream | • Allows free unrestricted air flow and ensures easy access to components and better serviceability |
| • Wide open front design with spring latches and handle on front grille | • Offers quick and unrestricted service access to serviceable parts/components |
| • Liquid and suction line access fitting outside the cabinet | • Allows quick service access — saving on service time. Liquid line fitting also provides quick access refrigerant charging |
| • Each Unit : is subjected to a thorough leak test with Helium leak-detectors
: is run tested and allowed to cycle off on high and low pressure | • Ensures reliable operation |
| • Units are shipped with Helium holding charge | • Reassures installer that no in-transit leak has occurred. |
-

STANDARD FEATURES

- Outdoor weather-resistant housing
- Weather proof electrical control box with compressor contactor and fused control circuit
- Spring-mounted accessible semi-hermetic compressor
- Suction and Discharge vibration eliminator on BEA models
- Solid state motor protection on BEB models
- Copper tubing secured with cushion clamps
- Adjustable dual high/low pressure control
- Oil failure control (on applicable models) with capillary line
- Flooded head pressure control (non-adjustable)
- Crankcase heater

OPTIONAL FEATURES (Factory mounted)

- Sealed Suction filter
- Suction accumulator
- Suction accumulator with boil-out coil
- Discharge line Check valve
- Oil separator
- Oil separator c/w oil return filter & solenoid valve
- Adjustable head pressure control valves
- Receiver inlet ball valve
- Heated and Insulated receiver
- Over-sized receiver
- Sealed liquid line filter drier & sight-glass
- Ball valve - liquid line (shipped loose)
- Insulated suction lines
- Leg Kits
- Discharge air hood
- Sub cooling circuit on 5 and 7.5 HP models
- Flex hoses - for all pressure controls (Dual Pressure, Oil switch, etc..)
- Liquid line solenoid valve-(with standard 230 volt coil)-shipped loose
- Compressor Circuit breaker
- Current sensing relay - for use with Oil safety control (where applicable)
- Defrost heater contactor c/w fuse block
- Evaporator Fan contactor c/w fuse block
- Disconnect switch
- Disconnect Fusing
- Pump down toggle switch
- Lock out control circuit -Liquid solenoid valve with separate HP and LP controls
- Hoffmann Speed control for condenser fan (replaces flooded valve)
- Sentronic oil failure control (where applicable)
- Time delay relay for compressor
- Mechanical Time Clock -Paragon 8145
- Electronic Time Clock
- Electronic Voltage/Phase Monitor

CONDENSING UNIT MODEL	SATURATED SUCTION TEMPERATURE		AMBIENT TEMPERATURE ° F (° C)											
	° F	° C	85	(29.4)	90	(32.2)	95	(35.0)	100	(37.8)	105	(40.6)	110	(43.3)
BEA030H2 Compressor Model ERF1-0310	45	(7.2)	43230	(12658)	41720	(12216)	40180	(11765)	38610	(11305)	---	---	---	---
	40	(4.4)	39460	(11554)	38070	(11147)	36650	(10731)	35200	(10307)	33730	(9876)	---	---
	35	(1.7)	35880	(10506)	34600	(10131)	33290	(9747)	31960	(9358)	30610	(8963)	29220	(8556)
	30	(-1.1)	32490	(9513)	31310	(9168)	30110	(8816)	28890	(8459)	27650	(8096)	26390	(7727)
	25	(-3.9)	29290	(8576)	28210	(8260)	27110	(7938)	26000	(7613)	24860	(7279)	23720	(6945)
	20	(-6.7)	26290	(7698)	25290	(7405)	24290	(7112)	23270	(6813)	22250	(6515)	21210	(6210)
	15	(-9.4)	23480	(6875)	22570	(6608)	21650	(6339)	20730	(6070)	19800	(5797)	18860	(5522)
	10	(-12.2)	20870	(6111)	20030	(5865)	19190	(5619)	18360	(5376)	17520	(5130)	16680	(4884)
BEA040H2 Compressor Model NRB2-0400	45	(7.2)	60630	(17752)	58280	(17064)	55990	(16394)	53780	(15747)	51660	(15126)	49620	(14529)
	40	(4.4)	55180	(16157)	53000	(15518)	50900	(14904)	48870	(14309)	46920	(13738)	45060	(13194)
	35	(1.7)	50000	(14640)	48000	(14054)	46060	(13486)	44200	(12942)	42420	(12421)	40730	(11926)
	30	(-1.1)	45100	(13205)	43250	(12664)	41470	(12142)	39770	(11645)	38140	(11167)	36600	(10716)
	25	(-3.9)	40450	(11844)	38750	(11346)	37110	(10866)	35550	(10409)	34060	(9973)	32660	(9563)
	20	(-6.7)	36050	(10555)	34480	(10096)	32970	(9654)	31530	(9232)	30180	(8837)	28900	(8462)
	15	(-9.4)	31880	(9334)	30430	(8910)	29030	(8500)	27710	(8113)	26460	(7747)	25290	(7405)
	10	(-12.2)	27930	(8178)	26570	(7780)	25280	(7402)	24050	(7042)	22890	(6702)	21810	(6386)
BEA050H2 Compressor Model 2DC3-0500	45	(7.2)	71050	(20803)	68710	(20118)	66370	(19433)	64030	(18748)	61690	(18063)	59350	(17378)
	40	(4.4)	64680	(18938)	62510	(18303)	60330	(17665)	58160	(17029)	56000	(16397)	53830	(15761)
	35	(1.7)	58670	(17179)	56660	(16590)	54650	(16002)	52640	(15413)	50630	(14824)	48630	(14239)
	30	(-1.1)	53030	(15527)	51160	(14980)	49300	(14435)	47440	(13890)	45580	(13346)	43720	(12801)
	25	(-3.9)	47730	(13975)	46000	(13469)	44280	(12965)	42550	(12459)	40830	(11955)	39110	(11451)
	20	(-6.7)	42770	(12523)	41160	(12052)	39560	(11583)	37960	(11115)	36360	(10646)	34770	(10181)
	15	(-9.4)	38120	(11162)	36630	(10725)	35140	(10289)	33650	(9853)	32160	(9416)	30680	(8983)
	10	(-12.2)	33770	(9888)	32380	(9481)	30990	(9074)	29600	(8667)	28210	(8260)	26830	(7856)
BEA051H2 Compressor Model 2DD3-0500	45	(7.2)	80180	(23477)	77560	(22710)	74930	(21940)	72320	(21175)	69690	(20405)	67070	(19638)
	40	(4.4)	73200	(21433)	70770	(20721)	68350	(20013)	65920	(19301)	63500	(18593)	61080	(17884)
	35	(1.7)	66590	(19498)	64350	(18842)	62110	(18186)	59870	(17530)	57640	(16877)	55400	(16221)
	30	(-1.1)	60350	(17670)	58280	(17064)	56210	(16458)	54150	(15855)	52090	(15252)	50040	(14652)
	25	(-3.9)	54470	(15949)	52560	(15390)	50650	(14830)	48750	(14274)	46850	(13718)	44960	(13164)
	20	(-6.7)	48940	(14330)	47180	(13814)	45410	(13296)	43650	(12781)	41900	(12268)	40160	(11759)
	15	(-9.4)	43750	(12810)	42110	(12330)	40480	(11853)	38850	(11375)	37240	(10904)	35620	(10430)
	10	(-12.2)	38880	(11384)	37350	(10936)	35840	(10494)	34330	(10052)	32830	(9613)	31340	(9176)
BEA075H2 Compressor Model 2DL3-0750	45	(7.2)	96090	(28135)	93020	(27236)	89940	(26334)	86840	(25427)	83730	(24516)	---	---
	40	(4.4)	88070	(25787)	85240	(24958)	82390	(24124)	79530	(23286)	76650	(22443)	73770	(21600)
	35	(1.7)	80460	(23559)	77860	(22797)	75230	(22027)	72590	(21254)	69940	(20478)	67280	(19700)
	30	(-1.1)	73260	(21451)	70860	(20748)	68440	(20039)	66010	(19328)	63580	(18616)	61140	(17902)
	25	(-3.9)	66430	(19451)	64230	(18807)	62010	(18157)	59780	(17504)	57540	(16848)	55310	(16195)
	20	(-6.7)	59970	(17559)	57950	(16968)	55910	(16370)	53870	(15773)	51820	(15173)	49770	(14573)
	15	(-9.4)	53850	(15767)	51990	(15223)	50120	(14675)	48250	(14128)	46380	(13580)	44510	(13033)
	10	(-12.2)	48040	(14066)	46330	(13565)	44620	(13065)	42900	(12561)	41190	(12060)	39480	(11560)
BEA076H2 Compressor Model 2DA3-0750	45	(7.2)	105240	(30814)	101800	(29807)	98350	(28797)	94870	(27778)	---	---	---	---
	40	(4.4)	96910	(28375)	93750	(27450)	90580	(26522)	87370	(25582)	84150	(24639)	---	---
	35	(1.7)	88900	(26030)	86000	(25181)	83080	(24326)	80130	(23462)	77150	(22590)	74160	(21714)
	30	(-1.1)	81210	(23778)	78540	(22997)	75850	(22209)	73130	(21412)	70390	(20610)	67600	(19793)
	25	(-3.9)	73830	(21617)	71370	(20897)	68890	(20171)	66380	(19436)	63820	(18686)	61230	(17928)
	20	(-6.7)	66770	(19550)	64490	(18883)	62180	(18206)	59840	(17521)	57460	(16824)	55040	(16116)
	15	(-9.4)	60010	(17571)	57890	(16950)	55730	(16318)	53530	(15674)	51290	(15018)	49000	(14347)
	10	(-12.2)	53550	(15679)	51550	(15094)	49500	(14494)	47420	(13885)	45280	(13258)	43100	(12620)
5	(-15.0)	47370	(13870)	45450	(13308)	43490	(12734)	41480	(12145)	39430	(11545)	37330	(10930)	

--- Outside Operating Range

Exact compressor model may vary with voltages

CONDENSING UNIT MODEL	SATURATED SUCTION TEMPERATURE		AMBIENT TEMPERATURE ° F (° C)							
	° F	° C	85 (29.4)	90 (32.2)	95 (35.0)	100 (37.8)	105 (40.6)	110 (43.3)		
BEA030M2 Compressor Model 3RA1-0310	25 (-3.9)		33350 (9765)	32170 (9419)	30990 (9074)	29800 (8725)	28590 (8371)	27370 (8014)		
	20 (-6.7)		30260 (8860)	29130 (8529)	28000 (8198)	26860 (7865)	25700 (7525)	24530 (7182)		
	15 (-9.4)		27280 (7988)	26220 (7677)	25150 (7364)	24060 (7045)	22960 (6723)	21850 (6398)		
	10 (-12.2)		24440 (7156)	23440 (6863)	22430 (6568)	21410 (6269)	20370 (5964)	19310 (5654)		
	5 (-15.0)		21710 (6357)	20790 (6087)	19850 (5812)	18900 (5534)	17930 (5250)	16940 (4960)		
BEA050M2 Compressor Model NRM1-0500	25 (-3.9)		56240 (16467)	54310 (15902)	52400 (15343)	50480 (14781)	48540 (14213)	46580 (13639)		
	20 (-6.7)		50650 (14830)	48900 (14318)	47150 (13806)	45400 (13293)	43630 (12775)	41850 (12254)		
	15 (-9.4)		45480 (13317)	43880 (12848)	42280 (12380)	40690 (11914)	39090 (11446)	37460 (10968)		
	10 (-12.2)		40700 (11917)	39250 (11492)	37800 (11068)	36350 (10643)	34900 (10219)	33420 (9785)		
	5 (-15.0)		36320 (10634)	35000 (10248)	33690 (9864)	32380 (9481)	31060 (9094)	29720 (8702)		

R404A/R507 - HIGH & MEDIUM TEMPERATURE CAPACITY BTU/HR (WATTS)

CONDENSING UNIT MODEL	SATURATED SUCTION TEMPERATURE		AMBIENT TEMPERATURE ° F (° C)							
	° F	° C	85 (29.4)	90 (32.2)	95 (35.0)	100 (37.8)	105 (40.6)	110 (43.3)		
BEA050H6 Compressor Model 2DC3-050E	40 (4.4)		66260 (19401)	63070 (18467)	59920 (17545)	56790 (16628)	53690 (15720)	50630 (14824)		
	35 (1.7)		60610 (17747)	57700 (16895)	54810 (16048)	51940 (15208)	49110 (14379)	46300 (13557)		
	30 (-1.1)		55200 (16163)	52540 (15384)	49910 (14614)	47300 (13849)	44720 (13094)	42170 (12347)		
	25 (-3.9)		50040 (14652)	47630 (13946)	45240 (13246)	42880 (12555)	40540 (11870)	38220 (11191)		
	20 (-6.7)		45150 (13220)	42970 (12582)	40820 (11952)	38690 (11328)	36570 (10708)	34480 (10096)		
	15 (-9.4)		40530 (11867)	38580 (11296)	36640 (10728)	34730 (10169)	32840 (9616)	30960 (9065)		
	10 (-12.2)		36210 (10602)	34470 (10093)	32740 (9586)	31030 (9086)	29330 (8588)	27660 (8099)		
	5 (-15.0)		32190 (9425)	30650 (8974)	29110 (8523)	27590 (8078)	26080 (7636)	24590 (7200)		
	0 (-17.8)		28500 (8345)	27130 (7944)	25770 (7545)	24420 (7150)	23080 (6758)	21750 (6368)		
-5 (-20.6)		25130 (7358)	23920 (7004)	22730 (6655)	21530 (6304)	20350 (5958)	19170 (5613)			
BEA051H6 Compressor Model 2DD3-050E	40 (4.4)		76190 (22308)	72660 (21275)	69110 (20235)	65540 (19190)	61960 (18142)	58370 (17091)		
	35 (1.7)		70010 (20499)	66770 (19550)	63520 (18599)	60250 (17641)	56970 (16681)	53680 (15718)		
	30 (-1.1)		64030 (18748)	61070 (17881)	58100 (17012)	55130 (16142)	52130 (15264)	49130 (14385)		
	25 (-3.9)		58270 (17061)	55580 (16274)	52880 (15483)	50190 (14696)	47480 (13902)	44760 (13106)		
	20 (-6.7)		52770 (15451)	50330 (14737)	47900 (14025)	45460 (13311)	43020 (12596)	40570 (11879)		
	15 (-9.4)		47540 (13920)	45350 (13278)	43160 (12637)	40970 (11996)	38780 (11355)	36590 (10714)		
	10 (-12.2)		42630 (12482)	40660 (11905)	38700 (11331)	36750 (10760)	34800 (10189)	32850 (9618)		
	5 (-15.0)		38050 (11141)	36290 (10626)	34540 (10113)	32810 (9607)	31080 (9100)	29360 (8597)		
	0 (-17.8)		33840 (9908)	32270 (9449)	30720 (8995)	29190 (8547)	27670 (8102)	26160 (7660)		
-5 (-20.6)		30020 (8790)	28630 (8383)	27250 (7979)	25900 (7584)	24570 (7194)	23260 (6811)			
BEA075H6 Compressor Model 2DL3-075E	40 (4.4)		88330 (25863)	84230 (24663)	80140 (23465)	76060 (22270)	71980 (21076)	67910 (19884)		
	35 (1.7)		81450 (23849)	77700 (22751)	73950 (21653)	70220 (20560)	66480 (19465)	62750 (18373)		
	30 (-1.1)		74800 (21901)	71370 (20897)	67970 (19902)	64550 (18900)	61150 (17905)	57750 (16909)		
	25 (-3.9)		68400 (20028)	65290 (19117)	62190 (18209)	59100 (17304)	56010 (16400)	52920 (15495)		
	20 (-6.7)		62270 (18233)	59460 (17410)	56660 (16590)	53860 (15770)	51070 (14953)	48280 (14136)		
	15 (-9.4)		56450 (16529)	53910 (15785)	51390 (15047)	48870 (14309)	46370 (13577)	43860 (12842)		
	10 (-12.2)		50940 (14915)	48670 (14251)	46400 (13586)	44150 (12927)	41900 (12268)	39650 (11610)		
	5 (-15.0)		45790 (13407)	43750 (12810)	41720 (12216)	39710 (11627)	37690 (11036)	35680 (10447)		
	0 (-17.8)		41000 (12005)	39180 (11472)	37370 (10942)	35560 (10412)	33760 (9885)	31970 (9361)		
-5 (-20.6)		36610 (10719)	34970 (10239)	33350 (9765)	31730 (9291)	30120 (8819)	28510 (8348)			
BEA076H6 Compressor Model 2DA3-075E	40 (4.4)		97240 (28472)	92670 (27134)	88130 (25804)	83600 (24478)	79090 (23158)	74600 (21843)		
	35 (1.7)		90060 (26370)	85870 (25143)	81690 (23919)	77520 (22698)	73380 (21486)	69260 (20279)		
	30 (-1.1)		83130 (24340)	79290 (23216)	75470 (22098)	71660 (20982)	67860 (19869)	64090 (18766)		
	25 (-3.9)		76460 (22387)	72970 (21366)	69480 (20344)	66010 (19328)	62540 (18312)	59090 (17302)		
	20 (-6.7)		70070 (20516)	66910 (19591)	63740 (18663)	60570 (17735)	57420 (16813)	54280 (15893)		
	15 (-9.4)		63980 (18733)	61120 (17896)	58240 (17053)	55380 (16215)	52520 (15378)	49660 (14540)		
	10 (-12.2)		58200 (17041)	55610 (16283)	53010 (15521)	50420 (14763)	47820 (14002)	45230 (13243)		
	5 (-15.0)		52730 (15439)	50400 (14757)	48040 (14066)	45690 (13378)	43330 (12687)	40980 (11999)		
	0 (-17.8)		47590 (13934)	45470 (13314)	43340 (12690)	41200 (12063)	39050 (11434)	36900 (10804)		
-5 (-20.6)		42770 (12523)	40840 (11958)	38900 (11390)	36940 (10816)	34970 (10239)	32990 (9659)			

Exact compressor model may vary with voltages

CONDENSING UNIT MODEL	SATURATED SUCTION TEMPERATURE		AMBIENT TEMPERATURE ° F (° C)					
	° F	° C	85 (29.4)	90 (32.2)	95 (35.0)	100 (37.8)	105 (40.6)	110 (43.3)
BEA030M6 Compressor Model ERFA-031E	25 (-3.9)		31330 (9173)	29860 (8743)	28360 (8304)	26840 (7859)	25320 (7414)	23780 (6963)
	20 (-6.7)		28410 (8318)	27070 (7926)	25700 (7525)	24320 (7121)	22930 (6714)	21530 (6304)
	15 (-9.4)		25680 (7519)	24450 (7159)	23210 (6796)	21950 (6427)	20690 (6058)	19420 (5686)
	10 (-12.2)		23130 (6772)	22010 (6445)	20880 (6114)	19730 (5777)	18580 (5440)	17430 (5104)
	5 (-15.0)		20750 (6076)	19730 (5777)	18700 (5475)	17650 (5168)	16600 (4860)	15550 (4553)
	0 (-17.8)		18520 (5423)	17590 (5150)	16640 (4872)	15680 (4591)	14720 (4310)	13770 (4032)
	-5 (-20.6)		16440 (4814)	15570 (4559)	14700 (4304)	13810 (4044)	12930 (3786)	12050 (3528)
BEA035M6 Compressor Model 3RAA-031E	25 (-3.9)		38950 (11405)	36840 (10787)	34730 (10169)	32640 (9557)	30550 (8945)	28480 (8339)
	20 (-6.7)		35150 (10292)	33220 (9727)	31300 (9165)	29390 (8605)	27490 (8049)	25600 (7496)
	15 (-9.4)		31550 (9238)	29790 (8723)	28050 (8213)	26320 (7706)	24590 (7200)	22880 (6699)
	10 (-12.2)		28150 (8242)	26560 (7777)	24980 (7314)	23410 (6854)	21850 (6398)	20310 (5947)
	5 (-15.0)		24970 (7311)	23530 (6890)	22100 (6471)	20680 (6055)	19270 (5642)	17870 (5232)
	0 (-17.8)		21990 (6439)	20690 (6058)	19390 (5677)	18110 (5303)	16840 (4931)	15580 (4562)
	-5 (-20.6)		19220 (5628)	18040 (5282)	16870 (4940)	15700 (4597)	14550 (4260)	13420 (3929)
BEA040M6 Compressor Model NRB2-040E	25 (-3.9)		42870 (12552)	40600 (11888)	38350 (11229)	36110 (10573)	33900 (9926)	31710 (9285)
	20 (-6.7)		38720 (11337)	36650 (10731)	34600 (10131)	32570 (9536)	30560 (8948)	28570 (8365)
	15 (-9.4)		34820 (10195)	32930 (9642)	31070 (9097)	29230 (8559)	27410 (8026)	25610 (7499)
	10 (-12.2)		31150 (9121)	29440 (8620)	27740 (8122)	26070 (7633)	24420 (7150)	22800 (6676)
	5 (-15.0)		27700 (8111)	26140 (7654)	24600 (7203)	23080 (6758)	21580 (6319)	20110 (5888)
	0 (-17.8)		24450 (7159)	23020 (6740)	21610 (6327)	20230 (5923)	18860 (5522)	17530 (5133)
	-5 (-20.6)		21370 (6257)	20050 (5871)	18760 (5493)	17480 (5118)	16230 (4752)	15010 (4395)

Exact compressor model may vary with voltages

CONDENSING UNIT MODEL	SATURATED SUCTION TEMPERATURE		AMBIENT TEMPERATURE ° F (° C)									
	° F	° C	85 (29.4)	90 (32.2)	95 (35.0)	100 (37.8)	105 (40.6)	110 (43.3)				
BEA030L6 Compressor Model LAHA-032E	0	-17.8	26650 (7803)	25250 (7393)	23870 (6989)	22490 (6585)	21090 (6175)	19680 (5762)				
	-5	-20.6	23750 (6954)	22470 (6579)	21190 (6204)	19900 (5827)	18610 (5449)	17300 (5065)				
	-10	-23.3	20990 (6146)	19810 (5800)	18630 (5455)	17440 (5106)	16250 (4758)	15030 (4401)				
	-15	-26.1	18360 (5376)	17280 (5060)	16200 (4743)	15110 (4424)	14020 (4105)	12900 (3777)				
	-20	-28.9	15870 (4647)	14890 (4360)	13920 (4076)	12930 (3786)	11930 (3493)	10910 (3194)				
	-25	-31.7	13550 (3967)	12670 (3710)	11780 (3449)	10900 (3192)	9990 (2925)	9060 (2653)				
	-30	-34.4	11380 (3332)	10600 (3104)	9820 (2875)	9020 (2641)	8210 (2404)	7370 (2158)				
	-35	-37.2	9400 (2752)	8710 (2550)	8030 (2351)	7330 (2146)	6610 (1935)	5860 (1716)				
-40	-40.0	7600 (2225)	7020 (2055)	6420 (1880)	5820 (1704)	5190 (1520)	4520 (1323)					
BEA031L6 Compressor Model NRD1-032E	0	-17.8	29450 (8623)	27950 (8184)	26450 (7745)	24950 (7305)	23480 (6875)	22040 (6453)				
	-5	-20.6	26360 (7718)	25000 (7320)	23640 (6922)	22280 (6524)	20950 (6134)	19660 (5756)				
	-10	-23.3	23530 (6890)	22300 (6529)	21060 (6166)	19850 (5812)	18650 (5461)	17500 (5124)				
	-15	-26.1	20920 (6125)	19800 (5797)	18690 (5472)	17600 (5153)	16540 (4843)	15520 (4544)				
	-20	-28.9	18490 (5414)	17480 (5118)	16480 (4825)	15510 (4541)	14570 (4266)	13680 (4006)				
	-25	-31.7	16190 (4740)	15280 (4474)	14380 (4210)	13520 (3959)	12690 (3716)	11920 (3490)				
	-30	-34.4	13960 (4087)	13150 (3850)	12350 (3616)	11580 (3391)	10860 (3180)	10190 (2984)				
	-35	-37.2	11770 (3446)	11030 (3230)	10320 (3022)	9640 (2823)	9010 (2638)	8440 (2471)				
-40	-40.0	9550 (2796)	8880 (2600)	8240 (2413)	7630 (2234)	7080 (2073)	6600 (1932)					
BEA032L6 Compressor Model LACA-032E	0	-17.8	---	---	---	---	---	---	---	---	---	---
	-5	-20.6	---	---	---	---	---	---	---	---	---	---
	-10	-23.3	---	---	---	---	---	---	---	---	---	---
	-15	-26.1	---	---	---	---	---	---	---	---	---	---
	-20	-28.9	19310 (5654)	18220 (5335)	17140 (5019)	16070 (4705)	15030 (4401)	14010 (4102)				
	-25	-31.7	16820 (4925)	15810 (4629)	14810 (4336)	13820 (4046)	12840 (3760)	11870 (3476)				
	-30	-34.4	14470 (4237)	13570 (3973)	12670 (3710)	11770 (3446)	10880 (3186)	9990 (2925)				
	-35	-37.2	12210 (3575)	11440 (3350)	10660 (3121)	9890 (2896)	9110 (2667)	8330 (2439)				
-40	-40.0	9990 (2925)	9380 (2746)	8770 (2568)	8140 (2383)	7500 (2196)	6850 (2006)					
BEA035L6 Compressor Model 2DF3-030E	0	-17.8	33210 (9724)	31580 (9247)	29980 (8778)	28400 (8316)	26820 (7853)	25260 (7396)				
	-5	-20.6	29850 (8740)	28390 (8313)	26950 (7891)	25540 (7478)	24130 (7065)	22710 (6649)				
	-10	-23.3	26660 (7806)	25360 (7425)	24080 (7051)	22810 (6679)	21540 (6307)	20270 (5935)				
	-15	-26.1	23650 (6925)	22490 (6585)	21350 (6251)	20210 (5917)	19070 (5584)	17930 (5250)				
	-20	-28.9	20840 (6102)	19810 (5800)	18780 (5499)	17760 (5200)	16730 (4899)	15680 (4591)				
	-25	-31.7	18240 (5341)	17300 (5065)	16380 (4796)	15450 (4524)	14500 (4246)	13540 (3965)				
	-30	-34.4	15840 (4638)	14990 (4389)	14140 (4140)	13280 (3888)	12400 (3631)	11500 (3367)				
	-35	-37.2	13650 (3997)	12860 (3765)	12070 (3534)	11260 (3297)	10420 (3051)	9560 (2799)				
-40	-40.0	11680 (3420)	10920 (3197)	10160 (2975)	9380 (2746)	8560 (2506)	7710 (2257)					
BEA040L6 Compressor Model 2DL3-040E	0	-17.8	40500 (11858)	38610 (11305)	36730 (10755)	34850 (10204)	32980 (9657)	31100 (9106)				
	-5	-20.6	36420 (10664)	34720 (10166)	33020 (9668)	31320 (9170)	29620 (8673)	27920 (8175)				
	-10	-23.3	32580 (9539)	31050 (9091)	29510 (8641)	27980 (8193)	26440 (7742)	24910 (7294)				
	-15	-26.1	28970 (8482)	27590 (8078)	26210 (7674)	24830 (7270)	23440 (6863)	22060 (6459)				
	-20	-28.9	25600 (7496)	24350 (7130)	23110 (6767)	21870 (6404)	20620 (6038)	19370 (5672)				
	-25	-31.7	22450 (6573)	21330 (6245)	20220 (5920)	19090 (5590)	17970 (5262)	16850 (4934)				
	-30	-34.4	19540 (5721)	18530 (5426)	17520 (5130)	16510 (4834)	15490 (4535)	14470 (4237)				
	-35	-37.2	16850 (4934)	15930 (4664)	15010 (4395)	14090 (4126)	13160 (3853)	12230 (3581)				
-40	-40.0	14380 (4210)	13540 (3965)	12690 (3716)	11840 (3467)	10990 (3218)	10130 (2966)					
BEA060L6 Compressor Model 2DB3-060E	0	-17.8	50110 (14672)	47880 (14019)	45640 (13363)	43400 (12708)	41130 (12043)	38840 (11372)				
	-5	-20.6	45110 (13208)	43090 (12617)	41080 (12028)	39060 (11437)	37030 (10842)	34980 (10242)				
	-10	-23.3	40380 (11823)	38560 (11290)	36760 (10763)	34950 (10233)	33130 (9700)	31300 (9165)				
	-15	-26.1	35930 (10520)	34300 (10043)	32680 (9569)	31060 (9094)	29440 (8620)	27810 (8143)				
	-20	-28.9	31760 (9299)	30290 (8869)	28840 (8444)	27390 (8020)	25950 (7598)	24510 (7177)				
	-25	-31.7	27880 (8163)	26540 (7771)	25230 (7387)	23940 (7010)	22660 (6635)	21380 (6260)				
	-30	-34.4	24270 (7106)	23050 (6749)	21860 (6401)	20700 (6061)	19560 (5727)	18420 (5393)				
	-35	-37.2	20920 (6125)	19800 (5797)	18710 (5478)	17660 (5171)	16630 (4869)	15620 (4574)				
-40	-40.0	17830 (5221)	16790 (4916)	15780 (4620)	14820 (4339)	13880 (4064)	12960 (3795)					

--- Outside Operating Range
Exact compressor model may vary with voltages



R404A/R507 - LOW TEMPERATURE (CONT'D) CAPACITY BTU/H (WATTS)

60Hz

CONDENSING UNIT MODEL	SATURATED SUCTION TEMPERATURE ° F ° C	AMBIENT TEMPERATURE ° F (° C)							
		85 (29.4)	90 (32.2)	95 (35.0)	100 (37.8)	105 (40.6)	110 (43.3)		
BEA061L6 Compressor Model 3DA3A060E	0 (-17.8)	54630 (15996)	52300 (15313)	49990 (14637)	47670 (13958)	45330 (13273)	42960 (12579)		
	-5 (-20.6)	49260 (14423)	47180 (13814)	45110 (13208)	43040 (12602)	40930 (11984)	38780 (11355)		
	-10 (-23.3)	44170 (12933)	42320 (12391)	40480 (11853)	38620 (11308)	36730 (10755)	34780 (10184)		
	-15 (-26.1)	39380 (11530)	37740 (11050)	36100 (10570)	34430 (10081)	32720 (9580)	30960 (9065)		
	-20 (-28.9)	34900 (10219)	33440 (9791)	31980 (9364)	30480 (8925)	28940 (8474)	27320 (7999)		
	-25 (-31.7)	30750 (9004)	29450 (8623)	28140 (8239)	26790 (7844)	25370 (7428)	23880 (6992)		
	-30 (-34.4)	26940 (7888)	25770 (7545)	24580 (7197)	23340 (6834)	22030 (6450)	20640 (6043)		
	-35 (-37.2)	23470 (6872)	22410 (6562)	21310 (6240)	20160 (5903)	18930 (5543)	17600 (5153)		
	-40 (-40.0)	20360 (5961)	19370 (5672)	18330 (5367)	17230 (5045)	16040 (4697)	14760 (4322)		
BEA075L6 Compressor Model 3DB3A075E	0 (-17.8)	62460 (18288)	59770 (17501)	57110 (16722)	54480 (15952)	51870 (15188)	---	---	
	-5 (-20.6)	56450 (16529)	54060 (15829)	51690 (15135)	49340 (14447)	47010 (13765)	---	---	
	-10 (-23.3)	50770 (14865)	48660 (14248)	46550 (13630)	44460 (13018)	42380 (12409)	40300 (11800)		
	-15 (-26.1)	45440 (13305)	43560 (12754)	41700 (12210)	39830 (11662)	37960 (11115)	36090 (10567)		
	-20 (-28.9)	40440 (11841)	38780 (11355)	37120 (10869)	35450 (10380)	33760 (9885)	32070 (9390)		
	-25 (-31.7)	35780 (10476)	34300 (10043)	32810 (9607)	31300 (9165)	29760 (8714)	28210 (8260)		
	-30 (-34.4)	31450 (9209)	30120 (8819)	28760 (8421)	27370 (8014)	25950 (7598)	24500 (7174)		
	-35 (-37.2)	27430 (8032)	26210 (7674)	24950 (7305)	23650 (6925)	22300 (6529)	20920 (6125)		
	-40 (-40.0)	23720 (6945)	22560 (6606)	21360 (6254)	20100 (5885)	18800 (5505)	17440 (5106)		

--- Outside Operating Range
Exact compressor model may vary with voltages

CONDENSING UNIT MODEL	SATURATED SUCTION TEMPERATURE		AMBIENT TEMPERATURE ° F (° C)											
	° F	° C	85	(29.4)	90	(32.2)	95	(35.0)	100	(37.8)	105	(40.6)	110	(43.3)
BEB029H2 Compressor Model 2FC-3.2	45	(7.2)	35910	(10514)	34680	(10154)	33450	(9794)	32230	(9437)	31030	(9086)	29830	(8734)
	40	(4.4)	32850	(9618)	31710	(9285)	30580	(8954)	29450	(8623)	28330	(8295)	27230	(7973)
	35	(1.7)	29960	(8772)	28910	(8465)	27860	(8157)	26820	(7853)	25790	(7551)	24780	(7256)
	30	(-1.1)	27240	(7976)	26270	(7692)	25300	(7408)	24350	(7130)	23400	(6852)	22470	(6579)
	25	(-3.9)	24680	(7226)	23790	(6966)	22900	(6705)	22030	(6450)	21160	(6196)	20300	(5944)
	20	(-6.7)	22280	(6524)	21460	(6283)	20650	(6046)	19850	(5812)	19060	(5581)	18270	(5349)
	15	(-9.4)	20040	(5868)	19290	(5648)	18550	(5431)	17810	(5215)	17090	(5004)	16370	(4793)
	10	(-12.2)	17940	(5253)	17260	(5054)	16580	(4855)	15910	(4658)	15250	(4465)	14600	(4275)
5	(-15.0)	15990	(4682)	15370	(4500)	14750	(4319)	14140	(4140)	13540	(3965)	12940	(3789)	
BEB030H2 Compressor Model 2EC-3.2	45	(7.2)	42070	(12318)	40610	(11891)	39160	(11466)	37720	(11044)	36290	(10626)	34870	(10210)
	40	(4.4)	38470	(11264)	37110	(10866)	35760	(10471)	34420	(10078)	33080	(9686)	31760	(9299)
	35	(1.7)	35070	(10268)	33810	(9900)	32550	(9531)	31300	(9165)	30050	(8799)	28820	(8438)
	30	(-1.1)	31860	(9329)	30690	(8986)	29520	(8643)	28360	(8304)	27200	(7964)	26050	(7627)
	25	(-3.9)	28850	(8447)	27760	(8128)	26670	(7809)	25590	(7493)	24520	(7179)	23450	(6866)
	20	(-6.7)	26020	(7619)	25010	(7323)	24000	(7027)	23000	(6734)	22000	(6442)	21000	(6149)
	15	(-9.4)	23380	(6846)	22440	(6570)	21500	(6295)	20570	(6023)	19640	(5751)	18710	(5478)
	10	(-12.2)	20910	(6122)	20040	(5868)	19170	(5613)	18300	(5358)	17430	(5104)	16570	(4852)
5	(-15.0)	18610	(5449)	17800	(5212)	16990	(4975)	16180	(4738)	15370	(4500)	14570	(4266)	
BEB035H2 Compressor Model 2DC-3.2	45	(7.2)	51270	(15012)	49490	(14491)	47720	(13972)	45970	(13460)	44220	(12948)	42490	(12441)
	40	(4.4)	46840	(13715)	45190	(13232)	43540	(12749)	41900	(12268)	40270	(11791)	38660	(11320)
	35	(1.7)	42660	(12491)	41130	(12043)	39600	(11595)	38070	(11147)	36550	(10702)	35050	(10263)
	30	(-1.1)	38730	(11340)	37310	(10924)	35880	(10506)	34460	(10090)	33050	(9677)	31660	(9270)
	25	(-3.9)	35040	(10260)	33720	(9873)	32400	(9487)	31080	(9100)	29770	(8717)	28470	(8336)
	20	(-6.7)	31580	(9247)	30350	(8886)	29130	(8529)	27900	(8169)	26690	(7815)	25480	(7461)
	15	(-9.4)	28350	(8301)	27210	(7967)	26070	(7633)	24940	(7302)	23810	(6972)	22680	(6641)
	10	(-12.2)	25330	(7417)	24280	(7109)	23220	(6799)	22170	(6491)	21120	(6184)	20070	(5876)
5	(-15.0)	22530	(6597)	21550	(6310)	20570	(6023)	19590	(5736)	18600	(5446)	17630	(5162)	
BEB040H2 Compressor Model 2CC-4.2	45	(7.2)	60830	(17811)	58620	(17164)	56410	(16517)	54230	(15879)	52070	(15246)	49940	(14622)
	40	(4.4)	55790	(16335)	53720	(15729)	51670	(15129)	49630	(14532)	47610	(13940)	45620	(13358)
	35	(1.7)	51000	(14933)	49080	(14371)	47160	(13808)	45260	(13252)	43370	(12699)	41510	(12154)
	30	(-1.1)	46480	(13609)	44680	(13082)	42900	(12561)	41130	(12043)	39370	(11528)	37630	(11018)
	25	(-3.9)	42200	(12356)	40540	(11870)	38880	(11384)	37230	(10901)	35590	(10421)	33970	(9946)
	20	(-6.7)	38180	(11179)	36640	(10728)	35090	(10274)	33560	(9826)	32040	(9381)	30530	(8939)
	15	(-9.4)	34400	(10072)	32970	(9654)	31540	(9235)	30110	(8816)	28690	(8400)	27290	(7991)
	10	(-12.2)	30870	(9039)	29540	(8649)	28210	(8260)	26880	(7870)	25560	(7484)	24250	(7100)
5	(-15.0)	27570	(8072)	26330	(7709)	25100	(7349)	23860	(6986)	22630	(6626)	21400	(6266)	
BEB050H2 Compressor Model 4FC-5.2	45	(7.2)	71990	(21079)	69590	(20376)	67180	(19670)	64770	(18965)	62370	(18262)	59970	(17559)
	40	(4.4)	65750	(19252)	63520	(18599)	61290	(17946)	59050	(17290)	56820	(16637)	54580	(15981)
	35	(1.7)	59850	(17524)	57780	(16918)	55720	(16315)	53640	(15706)	51570	(15100)	49500	(14494)
	30	(-1.1)	54290	(15896)	52380	(15337)	50470	(14778)	48550	(14215)	46630	(13653)	44710	(13091)
	25	(-3.9)	49070	(14368)	47300	(13849)	45530	(13331)	43760	(12813)	41980	(12292)	40200	(11771)
	20	(-6.7)	44160	(12930)	42530	(12453)	40900	(11976)	39260	(11495)	37620	(11015)	35980	(10535)
	15	(-9.4)	39580	(11589)	38070	(11147)	36560	(10705)	35050	(10263)	33530	(9818)	32020	(9375)
	10	(-12.2)	35300	(10336)	33910	(9929)	32510	(9519)	31110	(9109)	29710	(8699)	28310	(8289)
5	(-15.0)	31310	(9168)	30030	(8793)	28740	(8415)	27440	(8034)	26150	(7657)	24850	(7276)	
BEB060H2 Compressor Model 4EC-6.2	45	(7.2)	85120	(24923)	82160	(24056)	79200	(23190)	76230	(22320)	73260	(21451)	70290	(20581)
	40	(4.4)	77990	(22835)	75240	(22030)	72490	(21225)	69730	(20417)	66970	(19609)	64200	(18798)
	35	(1.7)	71230	(20856)	68680	(20110)	66120	(19360)	63560	(18610)	60990	(17858)	58420	(17105)
	30	(-1.1)	64830	(18982)	62460	(18288)	60090	(17594)	57710	(16897)	55330	(16201)	52940	(15501)
	25	(-3.9)	58780	(17211)	56590	(16570)	54400	(15928)	52190	(15281)	49980	(14634)	47760	(13984)
	20	(-6.7)	53090	(15545)	51070	(14953)	49040	(14359)	46990	(13759)	44940	(13158)	42890	(12558)
	15	(-9.4)	47750	(13981)	45880	(13434)	43990	(12880)	42100	(12327)	40200	(11771)	38290	(11211)
	10	(-12.2)	42750	(12517)	41010	(12008)	39270	(11498)	37510	(10983)	35750	(10468)	33970	(9946)
5	(-15.0)	38070	(11147)	36470	(10678)	34850	(10204)	33220	(9727)	31580	(9247)	29930	(8764)	
BEB075H2 Compressor Model 4DC-7.2	45	(7.2)	99500	(29134)	96040	(28121)	92570	(27104)	89110	(26091)	85650	(25078)	82180	(24062)
	40	(4.4)	91390	(26759)	88170	(25816)	84940	(24870)	81720	(23928)	78500	(22985)	75270	(22039)
	35	(1.7)	83650	(24493)	80660	(23617)	77670	(22742)	74670	(21863)	71680	(20988)	68680	(20110)
	30	(-1.1)	76290	(22338)	73520	(21527)	70750	(20716)	67970	(19902)	65190	(19088)	62410	(18274)
	25	(-3.9)	69310	(20294)	66740	(19541)	64180	(18792)	61600	(18036)	59030	(17284)	56460	(16531)
	20	(-6.7)	62710	(18361)	60340	(17668)	57960	(16971)	55580	(16274)	53200	(15577)	50810	(14877)
	15	(-9.4)	56480	(16537)	54280	(15893)	52090	(15252)	49890	(14608)	47680	(13961)	45470	(13314)
	10	(-12.2)	50620	(14822)	48600	(14230)	46560	(13633)	44530	(13038)	42490	(12441)	40440	(11841)
5	(-15.0)	45130	(13214)	43260	(12667)	41380	(12116)	39490	(11563)	37600	(11009)	35700	(10453)	



R404/R507 - HIGH & MEDIUM TEMPERATURE CAPACITY BTU/H (WATTS)

60Hz

CONDENSING UNIT MODEL	SATURATED SUCTION TEMPERATURE ° F ° C		AMBIENT TEMPERATURE ° F (° C)							
			85 (29.4)	90 (32.2)	95 (35.0)	100 (37.8)	105 (40.6)	110 (43.3)		
BEB029H6 Compressor Model 2FC-3.2Y	40 (4.4)		34370 (10064)	32650 (9560)	30930 (9056)	29230 (8559)	27550 (8067)	25870 (7575)		
	35 (1.7)		31610 (9255)	30020 (8790)	28440 (8327)	26870 (7868)	25320 (7414)	23770 (6960)		
	30 (-1.1)		28980 (8485)	27510 (8055)	26060 (7630)	24620 (7209)	23190 (6790)	21780 (6377)		
	25 (-3.9)		26470 (7750)	25120 (7355)	23790 (6966)	22470 (6579)	21170 (6199)	19880 (5821)		
	20 (-6.7)		24090 (7054)	22860 (6693)	21640 (6336)	20440 (5985)	19250 (5636)	18070 (5291)		
	15 (-9.4)		21840 (6395)	20720 (6067)	19610 (5742)	18520 (5423)	17440 (5106)	16370 (4793)		
	10 (-12.2)		19710 (5771)	18690 (5472)	17690 (5180)	16700 (4890)	15720 (4603)	14750 (4319)		
	5 (-15.0)		17710 (5185)	16790 (4916)	15880 (4650)	14990 (4389)	14110 (4131)	13230 (3874)		
	0 (-17.8)		15840 (4638)	15010 (4395)	14190 (4155)	13380 (3918)	12580 (3683)	11790 (3452)		
-5 (-20.6)		14090 (4126)	13330 (3903)	12590 (3686)	11860 (3473)	11150 (3265)	10440 (3057)			
BEB030H6 Compressor Model 2EC-3.2Y	40 (4.4)		40900 (11976)	38890 (11387)	36890 (10801)	34890 (10216)	32900 (9633)	30910 (9050)		
	35 (1.7)		37700 (11039)	35830 (10491)	33980 (9949)	32140 (9411)	30300 (8872)	28470 (8336)		
	30 (-1.1)		34620 (10137)	32910 (9636)	31200 (9135)	29510 (8641)	27820 (8146)	26140 (7654)		
	25 (-3.9)		31680 (9276)	30110 (8816)	28550 (8359)	26990 (7903)	25450 (7452)	23910 (7001)		
	20 (-6.7)		28880 (8456)	27450 (8037)	26020 (7619)	24600 (7203)	23190 (6790)	21780 (6377)		
	15 (-9.4)		26230 (7680)	24920 (7297)	23620 (6916)	22320 (6535)	21040 (6161)	19760 (5786)		
	10 (-12.2)		23710 (6942)	22520 (6594)	21340 (6248)	20160 (5903)	19000 (5563)	17830 (5221)		
	5 (-15.0)		21340 (6248)	20260 (5932)	19190 (5619)	18120 (5306)	17060 (4995)	16010 (4688)		
	0 (-17.8)		19110 (5595)	18130 (5308)	17160 (5024)	16190 (4740)	15230 (4459)	14280 (4181)		
-5 (-20.6)		17020 (4983)	16130 (4723)	15250 (4465)	14370 (4208)	13500 (3953)	12640 (3701)			
BEB035H6 Compressor Model 2DC-3.2Y	40 (4.4)		49830 (14590)	47440 (13890)	45060 (13194)	42680 (12497)	40300 (11800)	37940 (11109)		
	35 (1.7)		45840 (13422)	43630 (12775)	41440 (12134)	39250 (11492)	37060 (10851)	34890 (10216)		
	30 (-1.1)		42020 (12303)	40000 (11712)	37980 (11121)	35980 (10535)	33970 (9946)	31970 (9361)		
	25 (-3.9)		38390 (11241)	36540 (10699)	34700 (10160)	32860 (9621)	31020 (9083)	29200 (8550)		
	20 (-6.7)		34950 (10233)	33260 (9739)	31580 (9247)	29900 (8755)	28230 (8266)	26560 (7777)		
	15 (-9.4)		31690 (9279)	30150 (8828)	28620 (8380)	27090 (7932)	25570 (7487)	24060 (7045)		
	10 (-12.2)		28610 (8377)	27210 (7967)	25820 (7560)	24440 (7156)	23060 (6752)	21690 (6351)		
	5 (-15.0)		25710 (7528)	24450 (7159)	23190 (6790)	21930 (6421)	20690 (6058)	19450 (5695)		
	0 (-17.8)		22990 (6731)	21850 (6398)	20710 (6064)	19570 (5730)	18450 (5402)	17330 (5074)		
-5 (-20.6)		20450 (5988)	19410 (5683)	18380 (5382)	17360 (5083)	16330 (4781)	15320 (4486)			
BEB040H6 Compressor Model 2CC-4.2Y	40 (4.4)		59280 (17357)	56400 (16514)	53520 (15671)	50660 (14833)	47780 (13990)	44920 (13153)		
	35 (1.7)		54700 (16016)	52050 (15240)	49390 (14461)	46750 (13688)	44110 (12915)	41470 (12142)		
	30 (-1.1)		50310 (14731)	47860 (14013)	45430 (13302)	43000 (12590)	40570 (11879)	38150 (11170)		
	25 (-3.9)		46090 (13495)	43860 (12842)	41630 (12189)	39400 (11536)	37180 (10886)	34970 (10239)		
	20 (-6.7)		42070 (12318)	40020 (11718)	37990 (11123)	35960 (10529)	33940 (9938)	31920 (9346)		
	15 (-9.4)		38240 (11197)	36370 (10649)	34520 (10107)	32680 (9569)	30840 (9030)	29010 (8494)		
	10 (-12.2)		34590 (10128)	32910 (9636)	31230 (9144)	29550 (8652)	27890 (8166)	26220 (7677)		
	5 (-15.0)		31150 (9121)	29620 (8673)	28100 (8228)	26590 (7786)	25080 (7343)	23580 (6904)		
	0 (-17.8)		27900 (8169)	26510 (7762)	25140 (7361)	23770 (6960)	22410 (6562)	21060 (6166)		
-5 (-20.6)		24850 (7276)	23590 (6907)	22340 (6541)	21110 (6181)	19880 (5821)	18660 (5464)			
BEB050H6 Compressor Model 4FC-5.2Y	40 (4.4)		68620 (20092)	65440 (19161)	62260 (18230)	59090 (17302)	55930 (16376)	52770 (15451)		
	35 (1.7)		63140 (18487)	60210 (17629)	57290 (16775)	54370 (15920)	51470 (15070)	48570 (14221)		
	30 (-1.1)		57910 (16956)	55220 (16168)	52540 (15384)	49870 (14602)	47210 (13823)	44550 (13044)		
	25 (-3.9)		52930 (15498)	50460 (14775)	48020 (14060)	45580 (13346)	43150 (12634)	40730 (11926)		
	20 (-6.7)		48190 (14110)	45950 (13454)	43720 (12801)	41500 (12151)	39290 (11504)	37090 (10860)		
	15 (-9.4)		43700 (12795)	41670 (12201)	39640 (11607)	37630 (11018)	35630 (10432)	33640 (9850)		
	10 (-12.2)		39460 (11554)	37620 (11015)	35790 (10479)	33980 (9949)	32170 (9419)	30370 (8892)		
	5 (-15.0)		35470 (10386)	33810 (9900)	32160 (9416)	30520 (8936)	28890 (8459)	27270 (7985)		
	0 (-17.8)		31720 (9288)	30220 (8848)	28740 (8415)	27260 (7982)	25790 (7551)	24340 (7127)		
-5 (-20.6)		28220 (8263)	26860 (7865)	25520 (7472)	24190 (7083)	22870 (6696)	21560 (6313)			
BEB060H6 Compressor Model 4EC-6.2Y	40 (4.4)		79680 (23330)	75730 (22174)	71820 (21029)	67920 (19887)	---	---	---	
	35 (1.7)		73670 (21571)	70020 (20502)	66400 (19442)	62810 (18391)	59230 (17343)	55680 (16303)		
	30 (-1.1)		67880 (19875)	64530 (18894)	61190 (17916)	57890 (16950)	54600 (15987)	51340 (15032)		
	25 (-3.9)		62330 (18250)	59260 (17351)	56200 (16455)	53170 (15568)	50160 (14687)	47170 (13811)		
	20 (-6.7)		57020 (16695)	54210 (15873)	51420 (15056)	48660 (14248)	45910 (13442)	43190 (12646)		
	15 (-9.4)		51960 (15214)	49390 (14461)	46860 (13721)	44350 (12986)	41850 (12254)	39380 (11530)		
	10 (-12.2)		47140 (13803)	44820 (13123)	42520 (12450)	40240 (11782)	37980 (11121)	35740 (10465)		
	5 (-15.0)		42580 (12467)	40470 (11850)	38390 (11241)	36330 (10637)	34290 (10040)	32270 (9449)		
	0 (-17.8)		38260 (11203)	36360 (10646)	34480 (10096)	32620 (9551)	30780 (9012)	28960 (8479)		
-5 (-20.6)		34200 (10014)	32480 (9510)	30780 (9012)	29110 (8523)	27450 (8037)	25810 (7557)			
BEB075H6 Compressor Model 4DC-7.2Y	40 (4.4)		93190 (27286)	88720 (25977)	---	---	---	---	---	
	35 (1.7)		86390 (25295)	82260 (24086)	78120 (22874)	---	---	---	---	
	30 (-1.1)		79810 (23368)	75990 (22250)	72200 (21140)	68400 (20028)	---	---	---	
	25 (-3.9)		73450 (21506)	69960 (20484)	66470 (19462)	63000 (18446)	59520 (17427)	---	---	
	20 (-6.7)		67340 (19717)	64150 (18783)	60960 (17849)	57790 (16921)	54620 (15993)	51450 (15065)		
	15 (-9.4)		61480 (18001)	58570 (17149)	55670 (16300)	52790 (15457)	49910 (14614)	47030 (13770)		
	10 (-12.2)		55870 (16359)	53230 (15586)	50610 (14819)	47990 (14051)	45380 (13287)	42780 (12526)		
	5 (-15.0)		50540 (14798)	48140 (14095)	45770 (13401)	43410 (12710)	41050 (12019)	38700 (11331)		
	0 (-17.8)		45460 (13311)	43310 (12681)	41160 (12052)	39030 (11428)	36910 (10807)	34790 (10187)		
-5 (-20.6)		40670 (11908)	38720 (11337)	36780 (10769)	34860 (10207)	32950 (9648)	31050 (9091)			

--- Outside Operating Range

CONDENSING UNIT MODEL	SATURATED SUCTION TEMPERATURE		AMBIENT TEMPERATURE ° F (° C)									
	° F	° C	85 (29.4)	90 (32.2)	95 (35.0)	100 (37.8)	105 (40.6)	110 (43.3)				
BEB030L6 Compressor Model 2CC-3.2Y	0 (-17.8)	26700 (7818)	25300 (7408)	23920 (7004)	22550 (6603)	21190 (6204)	19860 (5815)					
	-5 (-20.6)	23870 (6989)	22600 (6617)	21350 (6251)	20110 (5888)	18890 (5531)	17680 (5177)					
	-10 (-23.3)	21190 (6204)	20050 (5871)	18920 (5540)	17800 (5212)	16700 (4890)	15610 (4571)					
	-15 (-26.1)	18670 (5467)	17640 (5165)	16620 (4866)	15620 (4574)	14630 (4284)	13650 (3997)					
	-20 (-28.9)	16310 (4776)	15390 (4506)	14470 (4237)	13570 (3973)	12670 (3710)	11790 (3452)					
	-25 (-31.7)	14110 (4131)	13280 (3888)	12450 (3645)	11640 (3408)	10830 (3171)	10040 (2940)					
	-30 (-34.4)	12070 (3534)	11320 (3314)	10580 (3098)	9840 (2881)	9110 (2667)	8400 (2460)					
	-35 (-37.2)	10190 (2984)	9510 (2785)	8830 (2585)	8160 (2389)	7500 (2196)	6840 (2003)					
-40 (-40.0)	8470 (2480)	7840 (2296)	7210 (2111)	6600 (1932)	5990 (1754)	5390 (1578)						
BEB031L6 Compressor Model 4FC-3.2Y	0 (-17.8)	29100 (8520)	27660 (8099)	26230 (7680)	24820 (7267)	23410 (6854)	22020 (6447)					
	-5 (-20.6)	26060 (7630)	24750 (7247)	23460 (6869)	22180 (6494)	20910 (6122)	19660 (5756)					
	-10 (-23.3)	23180 (6787)	22000 (6442)	20840 (6102)	19680 (5762)	18540 (5429)	17410 (5098)					
	-15 (-26.1)	20470 (5994)	19400 (5680)	18350 (5373)	17320 (5071)	16300 (4773)	15290 (4477)					
	-20 (-28.9)	17920 (5247)	16960 (4966)	16020 (4691)	15090 (4418)	14180 (4152)	13280 (3888)					
	-25 (-31.7)	15540 (4550)	14680 (4298)	13830 (4049)	13000 (3806)	12190 (3569)	11380 (3332)					
	-30 (-34.4)	13320 (3900)	12540 (3672)	11790 (3452)	11040 (3233)	10310 (3019)	9600 (2811)					
	-35 (-37.2)	11250 (3294)	10560 (3092)	9880 (2893)	9210 (2697)	8550 (2503)	7910 (2316)					
-40 (-40.0)	9350 (2738)	8720 (2553)	8100 (2372)	7490 (2193)	6910 (2023)	6330 (1853)						
BEB039L6 Compressor Model 4EC-4.2Y	0 (-17.8)	36360 (10646)	34500 (10102)	32660 (9563)	30850 (9033)	29060 (8509)	27300 (7993)					
	-5 (-20.6)	32630 (9554)	30940 (9059)	29280 (8573)	27640 (8093)	26020 (7619)	24420 (7150)					
	-10 (-23.3)	29100 (8520)	27570 (8072)	26070 (7633)	24590 (7200)	23140 (6775)	21700 (6354)					
	-15 (-26.1)	25770 (7545)	24400 (7144)	23040 (6746)	21720 (6360)	20410 (5976)	19120 (5598)					
	-20 (-28.9)	22650 (6632)	21420 (6272)	20200 (5915)	19010 (5566)	17840 (5224)	16690 (4887)					
	-25 (-31.7)	19730 (5777)	18620 (5452)	17530 (5133)	16470 (4822)	15420 (4515)	14390 (4213)					
	-30 (-34.4)	17010 (4981)	16020 (4691)	15040 (4404)	14080 (4123)	13140 (3847)	12220 (3578)					
	-35 (-37.2)	14490 (4243)	13590 (3979)	12710 (3721)	11850 (3470)	11010 (3224)	10190 (2984)					
-40 (-40.0)	12150 (3558)	11340 (3320)	10550 (3089)	9770 (2861)	9010 (2638)	8260 (2419)						
BEB050L6 Compressor Model 4DC-5.2Y	0 (-17.8)	45220 (13240)	43020 (12596)	40850 (11961)	38690 (11328)	36560 (10705)	34440 (10084)					
	-5 (-20.6)	40450 (11844)	38470 (11264)	36500 (10687)	34560 (10119)	32630 (9554)	30730 (8998)					
	-10 (-23.3)	35960 (10529)	34180 (10008)	32410 (9490)	30660 (8977)	28930 (8471)	27220 (7970)					
	-15 (-26.1)	31750 (9296)	30140 (8825)	28560 (8362)	26990 (7903)	25450 (7452)	23920 (7004)					
	-20 (-28.9)	27810 (8143)	26370 (7721)	24950 (7305)	23550 (6895)	22170 (6491)	20810 (6093)					
	-25 (-31.7)	24140 (7068)	22850 (6690)	21580 (6319)	20330 (5953)	19100 (5592)	17900 (5241)					
	-30 (-34.4)	20730 (6070)	19570 (5730)	18440 (5399)	17320 (5071)	16230 (4752)	15160 (4439)					
	-35 (-37.2)	17580 (5147)	16540 (4843)	15520 (4544)	14520 (4251)	13540 (3965)	12590 (3686)					
-40 (-40.0)	14670 (4295)	13730 (4020)	12810 (3751)	11910 (3487)	11030 (3230)	10170 (2978)						
BEB060L6 Compressor Model 4CC-6.2Y	0 (-17.8)	52670 (15422)	49980 (14634)	47330 (13858)	44720 (13094)	42160 (12344)	39640 (11607)					
	-5 (-20.6)	47380 (13873)	44940 (13158)	42550 (12459)	40190 (11768)	37880 (11091)	35610 (10427)					
	-10 (-23.3)	42350 (12400)	40150 (11756)	38000 (11126)	35890 (10509)	33810 (9900)	31780 (9305)					
	-15 (-26.1)	37600 (11009)	35620 (10430)	33690 (9864)	31800 (9311)	29940 (8766)	28130 (8236)					
	-20 (-28.9)	33110 (9695)	31350 (9179)	29620 (8673)	27930 (8178)	26280 (7695)	24660 (7220)					
	-25 (-31.7)	28910 (8465)	27330 (8002)	25790 (7551)	24280 (7109)	22820 (6682)	21380 (6260)					
	-30 (-34.4)	24980 (7314)	23570 (6901)	22190 (6497)	20850 (6105)	19550 (5724)	18280 (5352)					
	-35 (-37.2)	21320 (6242)	20060 (5874)	18820 (5510)	17630 (5162)	16470 (4822)	15340 (4492)					
-40 (-40.0)	17920 (5247)	16790 (4916)	15680 (4591)	14610 (4278)	13570 (3973)	12550 (3675)						

CONDENSING UNIT MODEL	COMPRESSOR MODEL NO.	POWER SUPPLY	COMPRESSOR		CONDENSER FAN MOTOR		TOTAL AMPS	MCA	MOP	
			RLA	LRA	QTY	FLA				
BEA030H2	-HS3	ERF2-0310-CAB	230/1/60	17.0	86.0	1	2.1	19.1	23.4	40
	-HT3	ERF1-0310-TAC	208-230/3/60	11.7	82.0	1	1.1	12.8	15.7	25
	-HT4	ERF1-0310-TAD	460/3/60	6.4	41.0	1	0.9	7.3	8.9	15
BEA040H2	-HT3	NRB2-0400-TFC	208-230/3/60	21.8	141.0	1	2.1	22.9	28.4	50
	-HT4	NRB2-0400-TFD	460/3/60	11.3	62.5	1	0.9	12.2	15.0	25
BEA050H2	-HS3	2DC3-0500-CFB	230/1/60	29.9	125.0	1	2.1	32.0	39.5	60
	-HT3	2DC3-0500-TFC	208-230/3/60	22.3	120.0	1	2.1	24.4	30.0	50
	-HT4	2DC3-0500-TFD	460/3/60	10.4	60.0	1	1.1	11.5	14.1	20
	-HT5	2DC3-0500-TFE	575/3/60	7.7	49.0	1	0.9	8.6	10.5	15
BEA051H2	-HT3	2DD3-0500-TFC	208-230/3/60	22.3	120.0	1	2.1	24.4	30.0	50
	-HT4	2DD3-0500-TFD	460/3/60	10.5	60.0	1	1.1	11.6	14.2	20
	-HT5	2DD3-0500-TFE	575/3/60	7.9	49.0	1	0.9	8.8	10.8	15
BEA075H2	-HT3	2DL3-0750-TFC	208-230/3/60	31.6	169.0	1	2.1	33.7	41.6	70
	-HT4	2DL3-0750-TFD	460/3/60	13.8	85.0	1	1.1	14.9	18.4	30
	-HT5	2DL3-0750-TFE	575/3/60	13.2	67.0	1	0.9	14.1	17.4	30
BEA076H2	-HT3	2DA3-0750-TFC	208-230/3/60	32.0	169.0	1	2.1	34.1	42.1	70
	-HT4	2DA3-0750-TFD	460/3/60	14.1	85.0	1	1.1	15.2	18.7	30
	-HT5	2DA3-0750-TFE	575/3/60	13.3	67.0	1	0.9	14.2	17.5	30
BEA030M2	-HS3	3RA2-0310-CAB	230/1/60	17.8	86.0	1	2.1	19.9	24.4	40
	-HT3	3RA1-0310-TAC	208-230/3/60	13.1	82.0	1	2.1	15.2	18.5	30
	-HT4	3RA1-0310-TAD	460/3/60	6.6	41.0	1	1.1	7.7	9.4	15
BEA050M2	-HT3	NRM1-0500-TFC	208-230/3/60	24.3	141.0	1	2.1	26.4	32.5	50
	-HT4	NRM1-0500-TFD	460/3/60	12.1	62.5	1	1.1	13.2	16.2	25
	-HT5	NRM1-0500-TFE	575/3/60	9.2	53.4	1	0.9	10.1	12.4	20
BEA050H6	-HT3	2DC3-050E-TFC	208-230/3/60	22.3	120.0	1	2.1	24.4	30.0	50
	-HT4	2DC3-050E-TFD	460/3/60	10.4	60.0	1	1.1	11.5	14.1	20
	-HT5	2DC3-050E-TFE	575/3/60	7.7	49.0	1	0.9	8.6	10.5	15
BEA051H6	-HT3	2DD3-050E-TFC	208-230/3/60	22.3	120.0	1	2.1	24.4	30.0	50
	-HT4	2DD3-050E-TFD	460/3/60	10.5	60.0	1	1.1	11.6	14.2	20
	-HT5	2DD3-050E-TFE	575/3/60	7.9	49.0	1	0.9	8.8	10.8	15
BEA075H6	-HT3	2DL3-075E-TFC	208-230/3/60	31.6	169.0	1	2.1	33.7	41.6	70
	-HT4	2DL3-075E-TFD	460/3/60	13.8	85.0	1	1.1	14.9	18.4	30
	-HT5	2DL3-075E-TFE	575/3/60	13.2	67.0	1	0.9	14.1	17.4	30
BEA076H6	-HT3	2DA3-075E-TFC	208-230/3/60	32.0	169.0	1	2.1	34.1	42.1	70
	-HT4	2DA3-075E-TFD	460/3/60	14.1	85.0	1	1.1	15.2	18.7	30
	-HT5	2DA3-075E-TFE	575/3/60	13.3	67.0	1	0.9	14.2	17.5	30

Exact compressor model may vary with voltages
MCA = Minimum Circuit Ampacity
MOP = Maximum Overcurrent Protection

CONDENSING UNIT MODEL	COMPRESSOR MODEL NO.	POWER SUPPLY	COMPRESSOR		CONDENSER FAN MOTOR		TOTAL AMPS	MCA	MOP	
			RLA	LRA	QTY	FLA				
BEA030M6	-HS3	ERFB-031E-CAB	230/1/60	17.0	86.0	1	2.1	19.1	23.4	40
	-HT3	ERFA-031E-TAC	208-230/3/60	12.4	82.0	1	2.1	14.5	17.6	30
	-HT4	ERFA-031E-TAD	460/3/60	5.8	41.0	1	1.1	6.9	8.4	15
BEA035M6	-HT3	3RAA-031E-TAC	208-230/3/60	14.2	82.0	1	2.1	16.3	19.9	30
	-HT4	3RAA-031E-TAD	460/3/60	6.3	41.0	1	1.1	7.4	9.0	15
BEA040M6	-HT3	NRB2-040E-TFC	208-230/3/60	21.8	141.0	1	2.1	23.9	29.4	50
	-HT4	NRB2-040E-TFD	460/3/60	9.0	62.5	1	1.1	10.1	12.4	20
BEA030L6	-HS3	LAHB-032E-CAB	230/1/60	16.7	105.0	1	2.1	18.8	23.0	35
	-HT3	LAHA-032E-TAC	208-230/3/60	12.8	112.0	1	2.1	14.9	18.1	30
	-HT4	LAHA-032E-TAD	460/3/60	6.0	56.0	1	1.1	7.1	8.6	15
	-HT5	LAHA-032E-TAE	575/3/60	4.1	30.0	1	0.9	5.0	6.0	15
BEA031L6	-HS3	NRD1-040E-CFB	230/1/60	27.7	115.0	1	2.1	29.8	36.7	60
	-HT3	NRD1-032E-TFC	208-230/3/60	16.3	82.0	1	2.1	18.4	22.5	35
	-HT4	NRD1-032E-TFD	460/3/60	8.4	41.0	1	1.1	9.5	11.6	20
BEA032L6	-HS3	LACB-032E-CAB	230/1/60	15.5	105.0	1	2.1	17.6	21.5	35
	-HT3	LACA-032E-TAC	208-230/3/60	12.8	112.0	1	2.1	14.9	18.1	30
	-HT4	LACA-032E-TAD	460/3/60	6.0	56.0	1	1.1	7.1	8.6	15
BEA035L6	-HT3	2DF3-030E-TFC	208-230/3/60	16.8	102.0	1	2.1	18.9	23.1	35
	-HT4	2DF3-030E-TFD	460/3/60	8.1	52.0	1	1.1	9.2	11.2	15
	-HT5	2DF3-030E-TFE	575/3/60	6.7	41.0	1	0.9	7.6	9.3	15
BEA040L6	-HT3	2DL3-040E-TFC	208-230/3/60	26.3	161.0	1	2.1	28.4	35.0	60
	-HT4	2DL3-040E-TFD	460/3/60	10.2	60.0	1	1.1	11.3	13.9	20
	-HT5	2DL3-040E-TFE	575/3/60	7.7	49.0	1	0.9	8.6	10.5	15
BEA060L6	-HT3	2DB3-060E-TFC	208-230/3/60	28.2	161.0	1	2.1	30.3	37.4	60
	-HT4	2DB3-060E-TFD	460/3/60	13.3	80.0	1	1.1	14.4	17.7	30
	-HT5	2DB3-060E-TFE	575/3/60	9.6	63.0	1	0.9	10.5	12.9	20
BEA061L6	-HT3	3DA3A060E-TFC	208-230/3/60	30.3	150.0	1	2.1	32.4	40.0	70
	-HT4	3DA3A060E-TFD	460/3/60	13.7	77.0	1	1.1	14.8	18.2	30
	-HT5	3DA3A060E-TFE	575/3/60	10.5	62.0	1	0.9	11.4	14.0	20
BEA075L6	-HT3	3DB3A075E-TFC	208-230/3/60	31.5	161.0	1	2.1	33.6	41.5	70
	-HT4	3DB3A075E-TFD	460/3/60	16.1	83.0	1	1.1	17.2	21.2	35
	-HT5	3DB3A075E-TFE	575/3/60	11.0	67.0	1	0.9	11.9	14.7	25

Exact compressor model may vary with voltages
MCA = Minimum Circuit Ampacity
MOP = Maximum Overcurrent Protection

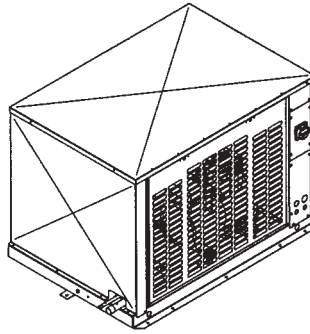
CONDENSING UNIT MODEL	COMPRESSOR MODEL NO.	POWER SUPPLY	COMPRESSOR		CONDENSER FAN MOTOR		TOTAL AMPS	MCA	MOP
			RLA	LRA	QTY	FLA			
BEB029H2	2FC-3.2	208-230/3/60	11.5	60.0	1	2.1	13.6	16.5	25
		460/3/60	5.5	27.5	1	1.1	6.6	8.0	15
		575/3/60	4.5	19.0	1	0.9	5.4	6.5	15
BEB030H2	2EC-3.2	208-230/1/60	24.0	109.0	1	2.1	26.1	32.1	50
		208-230/3/60	14.2	97.0	1	2.1	16.3	19.9	30
		460/3/60	6.7	39.5	1	1.1	7.8	9.5	15
		575/3/60	5.4	28.5	1	0.9	6.3	7.7	15
BEB035H2	2DC-3.2	208-230/1/60	25.0	113.0	1	2.1	27.1	33.4	50
		208-230/3/60	15.5	97.0	1	2.1	17.6	21.5	35
		460/3/60	7.5	39.5	1	1.1	8.6	10.5	15
		575/3/60	5.2	28.5	1	0.9	6.1	7.4	15
BEB040H2	2CC-4.2	208-230/3/60	18.5	115.5	1	2.1	20.6	25.2	40
		460/3/60	8.3	47.5	1	1.1	9.4	11.5	20
		575/3/60	6.7	34.0	1	0.9	7.6	9.3	15
BEB050H2	4FC-5.2	208-230/3/60	24.5	163.0	1	2.1	26.6	32.7	50
		460/3/60	13.5	66.5	1	1.1	14.6	18.0	30
		575/3/60	9.0	48.0	1	0.9	9.9	12.2	20
BEB060H2	4EC-6.2	208-230/3/60	28.5	163.0	1	2.1	30.6	37.7	60
		460/3/60	13.8	66.5	1	1.1	14.9	18.4	30
		575/3/60	9.6	48.0	1	0.9	10.5	12.9	20
BEB075H2	4DC-7.2	208-230/3/60	31.5	215.0	1	2.1	33.6	41.5	70
		460/3/60	15.5	88.0	1	1.1	16.6	20.5	35
		575/3/60	11.3	63.5	1	0.9	12.2	15.0	25
BEB029H6	2FC-3.2Y	208-230/3/60	11.5	60.0	1	2.1	13.6	16.5	25
		460/3/60	5.5	27.5	1	1.1	6.6	8.0	15
		575/3/60	4.5	19.0	1	0.9	5.4	6.5	15
BEB030H6	2EC-3.2Y	208-230/1/60	24.0	109.0	1	2.1	26.1	32.1	50
		208-230/3/60	14.2	97.0	1	2.1	16.3	19.9	30
		460/3/60	6.7	39.5	1	1.1	7.8	9.5	15
		575/3/60	5.4	28.5	1	0.9	6.3	7.7	15
BEB035H6	2DC-3.2Y	208-230/1/60	25.0	113.0	1	2.1	27.1	33.4	50
		208-230/3/60	15.5	97.0	1	2.1	17.6	21.5	35
		460/3/60	7.5	39.5	1	1.1	8.6	10.5	15
		575/3/60	5.2	28.5	1	0.9	6.1	7.4	15
BEB040H6	2CC-4.2Y	208-230/3/60	18.5	115.5	1	2.1	20.6	25.2	40
		460/3/60	8.3	47.5	1	1.1	9.4	11.5	20
		575/3/60	6.7	34.0	1	0.9	7.6	9.3	15
BEB050H6	4FC-5.2Y	208-230/3/60	24.5	163.0	1	2.1	26.6	32.7	50
		460/3/60	13.5	66.5	1	1.1	14.6	18.0	30
		575/3/60	9.0	48.0	1	0.9	9.9	12.2	20
BEB060H6	4EC-6.2Y	208-230/3/60	28.5	163.0	1	2.1	30.6	37.7	60
		460/3/60	13.8	66.5	1	1.1	14.9	18.4	30
		575/3/60	9.6	48.0	1	0.9	10.5	12.9	20
BEB075H6	4DC-7.2Y	208-230/3/60	31.5	215.0	1	2.1	33.6	41.5	70
		460/3/60	15.5	88.0	1	1.1	16.6	20.5	35
		575/3/60	11.3	63.5	1	0.9	12.2	15.0	25

MCA = Minimum Circuit Ampacity
MOP = Maximum Overcurrent Protection

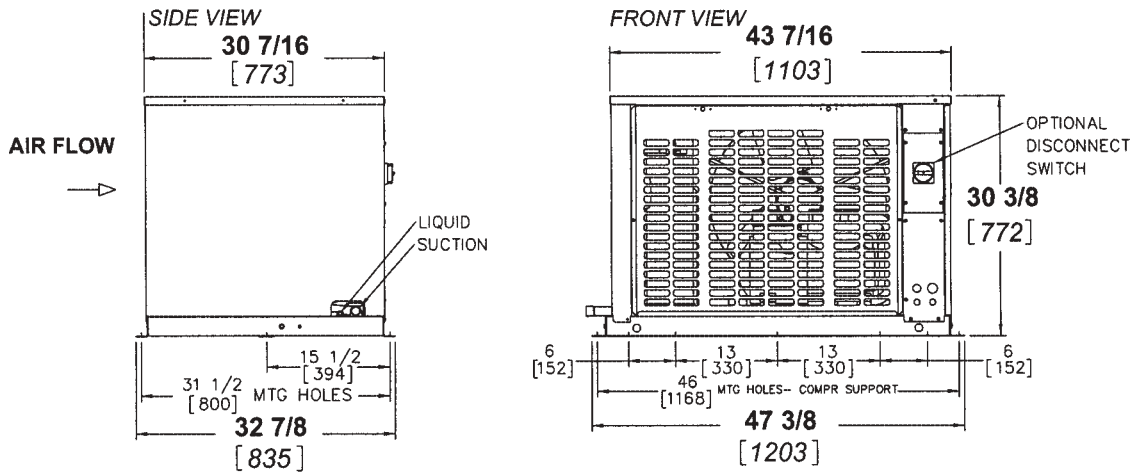
CONDENSING UNIT MODEL	COMPRESSOR MODEL NO.	POWER SUPPLY	COMPRESSOR		CONDENSER FAN MOTOR		TOTAL AMPS	MCA	MOP
			RLA	LRA	QTY	FLA			
BEB030L6	2CC-3.2Y	208-230/1/60	22.0	115.0	1	2.1	24.1	29.6	50
		208-230/3/60	13.8	97.0	1	2.1	15.9	19.4	30
		460/3/60	6.5	39.5	1	1.1	7.6	9.2	15
		575/3/60	5.2	28.5	1	0.9	6.1	7.4	15
BEB031L6	4FC-3.2Y	208-230/3/60	18.5	115.5	1	2.1	20.6	25.2	40
		460/3/60	8.2	47.5	1	1.1	9.3	11.4	20
		575/3/60	6.3	34.0	1	0.9	7.2	8.8	15
BEB039L6	4EC-4.2Y	208-230/3/60	20.5	142.0	1	2.1	22.6	27.7	45
		460/3/60	9.5	58.0	1	1.1	10.6	13.0	20
		575/3/60	7.6	51.5	1	0.9	8.5	10.4	15
BEB050L6	4DC-5.2Y	208-230/3/60	21.0	163.0	1	2.1	23.1	28.4	45
		460/3/60	11.0	66.5	1	1.1	12.1	14.9	25
		575/3/60	9.2	48.0	1	0.9	10.1	12.4	20
BEB060L6	4CC-6.2Y	208-230/3/60	25.5	215.0	1	2.1	27.6	34.0	50
		460/3/60	14.5	88.0	1	1.1	15.6	19.2	30
		575/3/60	11.5	63.5	1	0.9	12.4	15.3	25

MCA = Minimum Circuit Ampacity
MOP = Maximum Overcurrent Protection

DIMENSIONS - STANDARD UNIT

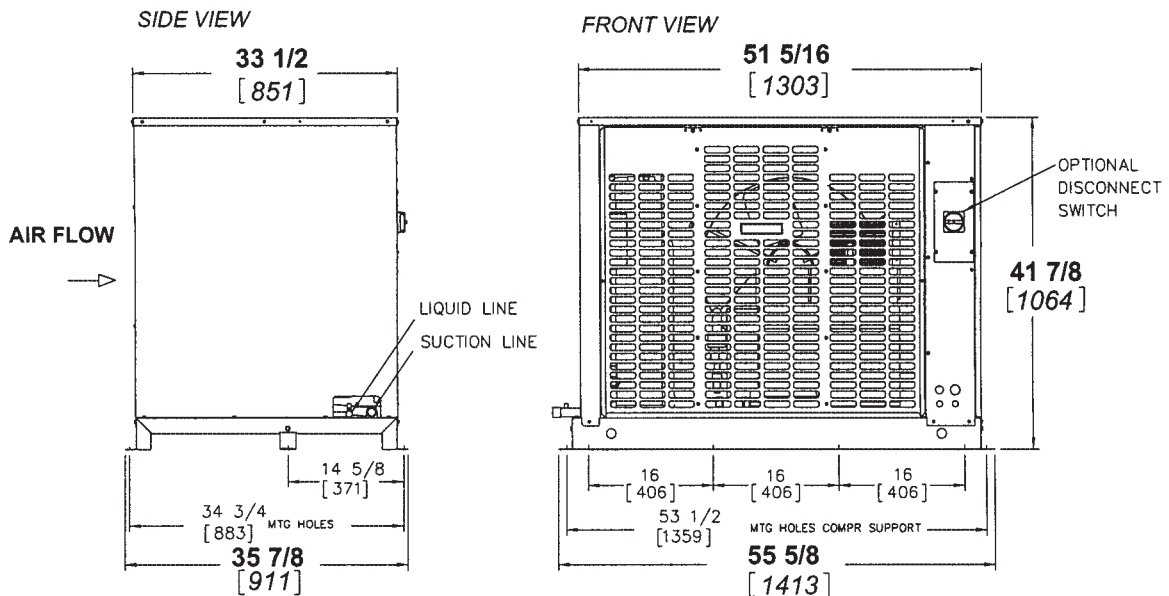


BE*029 TO BE*040



OVERALL DIMENSIONS - (Inches) : 47-3/8 x 32-7/8 x 30-3/8 (mm) : 1203 x 834 x 772

BE*050 TO BE*075

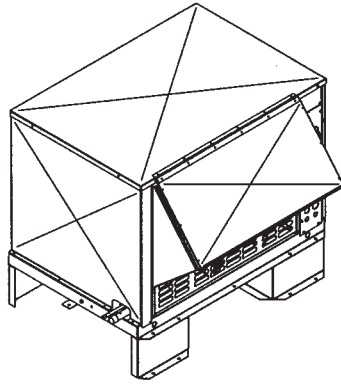


OVERALL DIMENSIONS - (Inches) : 55-5/8 x 35-7/8 x 41-7/8 (mm) : 1413 x 911 x 1064

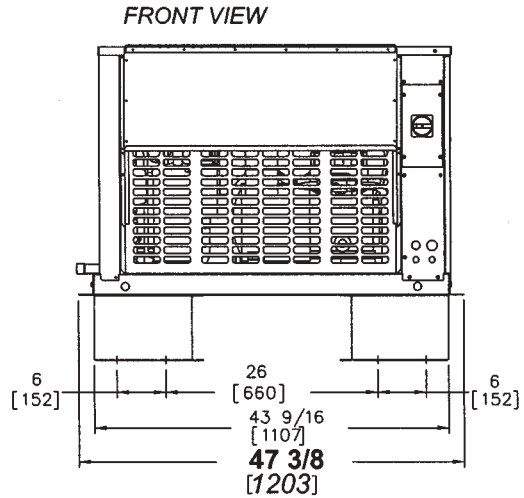
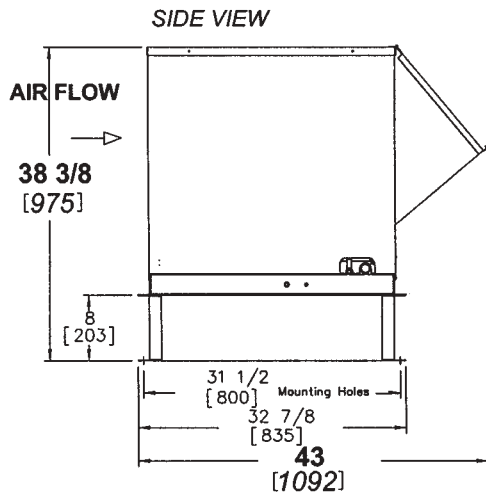
NOTE: All Mounting Holes $\frac{7}{16}$ " (11.1mm) Dia.

* Fill in appropriate alphabet; A for Copeland and B for Bitzer Octagan

DIMENSIONS - UNIT WITH OPTIONAL LEGS AND HOOD

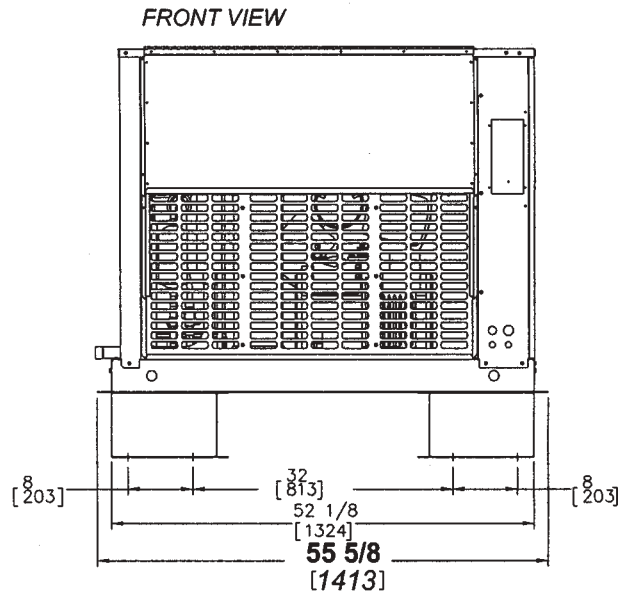
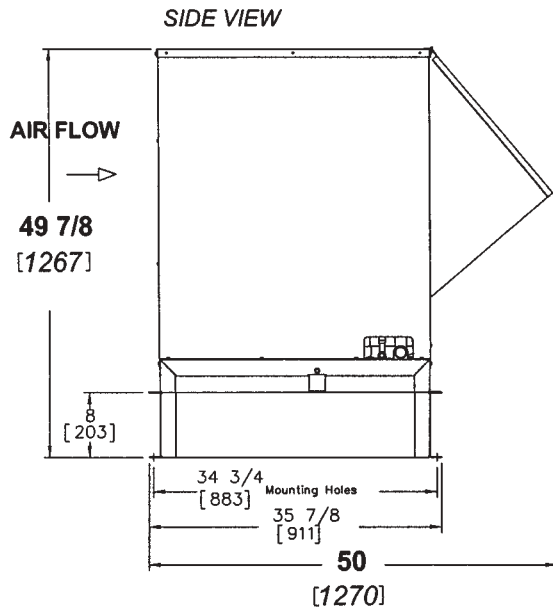


BE*029 TO BE*040



OVERALL DIMENSIONS - (Inches) : 47-3/8 x 43 x 38-3/8 (mm) : 1203 x 1092 x 975

BE*050 TO BE*075



OVERALL DIMENSIONS - (Inches) : 55-5/8 x 50 x 49-7/8 (mm) : 1413 x 1270 x 1267

NOTE: All Mounting Holes 7/16" (11.1mm) Dia.

* Fill in appropriate alphabet; A for Copeland and B for Bitzer Octagan



SPECIFICATIONS

CONDENSING UNIT MODEL	COMPRESSOR*	UNIT CONNECTIONS				RECEIVER CAPACITY 90% FULL		SHIPPING WEIGHT	
		SUCTION (OD)		LIQUID (OD)		Lbs.	Kgs	Lbs.	Kgs
		Inches	mm	Inches	mm				
BEA030H2	ERF1-0310	1 1/8	29	1/2	13	25	11	477	217
BEA040H2	NRB2-0400	1 1/8	29	1/2	13	25	11	542	246
BEA050H2	2DC3-0500	1 3/8	35	5/8	16	35	16	766	348
BEA051H2	2DD3-0500	1 3/8	35	5/8	16	35	16	769	350
BEA075H2	2DL3-0750	1 3/8	35	5/8	16	35	16	780	355
BEA076H2	2DA3-0750	1 3/8	35	5/8	16	35	16	780	355
BEA030M2	3RA1-0310	1 1/8	29	1/2	13	25	11	486	221
BEA050M2	NRM1-0500	1 1/8	29	1/2	13	35	16	738	335
BEA050H6	2DC3-050E	1 1/8	29	5/8	16	31	14	766	348
BEA051H6	2DD3-050E	1 1/8	29	5/8	16	31	14	769	350
BEA075H6	2DL3-075E	1 3/8	35	5/8	16	31	14	780	355
BEA076H6	2DA3-075E	1 3/8	35	5/8	16	31	14	780	355
BEA030M6	ERFA-031E	7/8	22	1/2	13	22	10	477	217
BEA035M6	3RAA-031E	1 1/8	29	5/8	16	22	10	487	221
BEA040M6	NRB2-040E	1 1/8	29	5/8	16	22	10	542	246
BEA030L6	LAHA-032E	1 1/8	29	1/2	13	22	10	493	224
BEA031L6	NRD1-032E	1 1/8	29	1/2	13	22	10	562	255
BEA032L6	LACA-032E	1 1/8	29	1/2	13	22	10	491	223
BEA035L6	2DF3-030E	1 1/8	29	1/2	13	22	10	588	267
BEA040L6	2DL3-040E	1 1/8	29	1/2	13	22	10	618	281
BEA060L6	2DB3-060E	1 3/8	35	5/8	16	31	14	781	355
BEA061L6	3DA3A060E	1 3/8	35	5/8	16	31	14	819	372
BEA075L6	3DB3A075E	1 3/8	35	5/8	16	31	14	827	376

* Exact model may vary with voltages

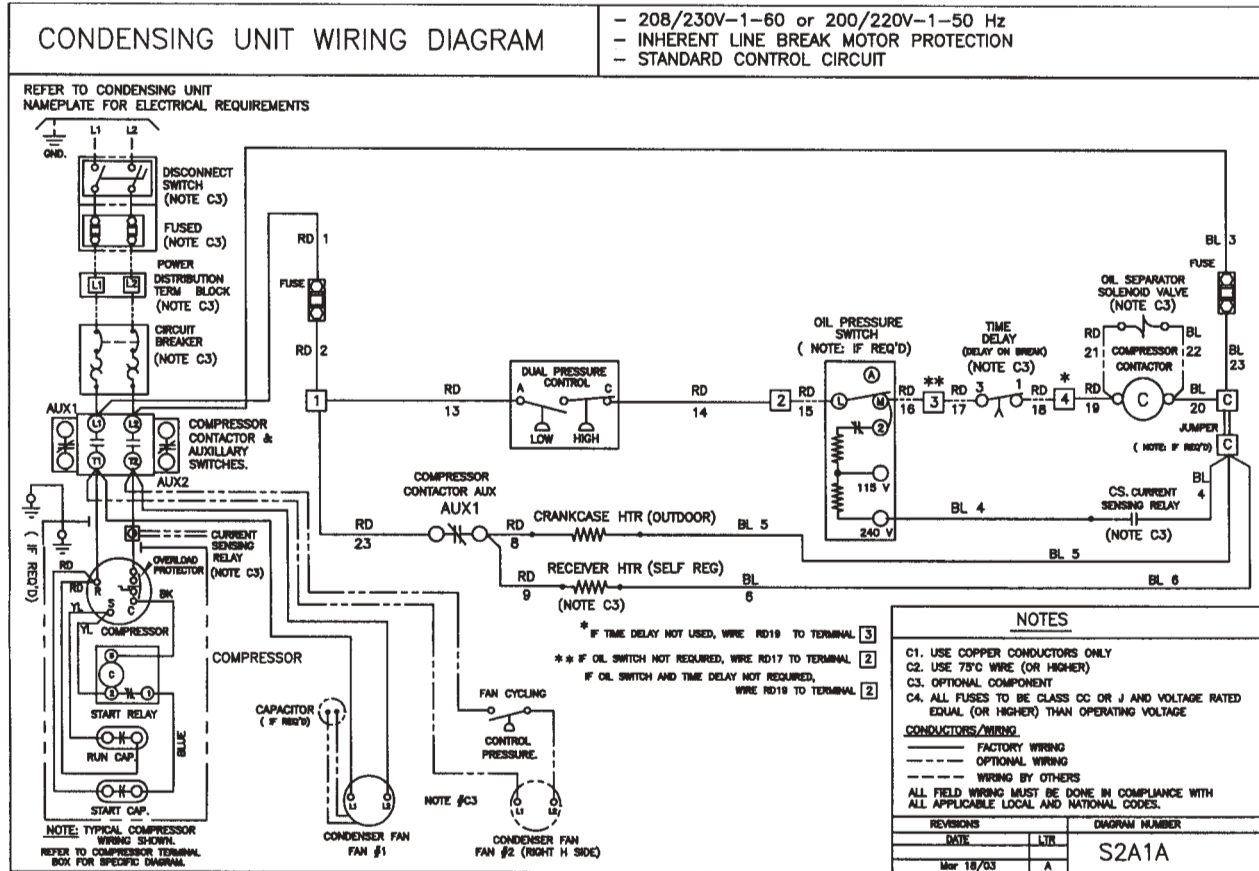


SPECIFICATIONS

CONDENSING UNIT MODEL	COMPRESSOR*	UNIT CONNECTIONS				RECEIVER CAPACITY 90% FULL		SHIPPING WEIGHT	
		SUCTION (OD)		LIQUID (OD)		Lbs.	Kgs	Lbs.	Kgs
		Inches	mm	Inches	mm				
BEB029H2	2FC-3.2	1 1/8	29	1/2	13	25	11	386	175
BEB030H2	2EC-3.2	1 1/8	29	1/2	13	25	11	437	199
BEB035H2	2DC-3.2	1 1/8	29	1/2	13	25	11	449	204
BEB040H2	2CC-4.2	1 1/8	29	1/2	13	25	11	452	205
BEB050H2	4FC-5.2	1 3/8	35	5/8	16	35	16	648	295
BEB060H2	4EC-6.2	1 3/8	35	5/8	16	35	16	652	296
BEB075H2	4DC-7.2	1 3/8	35	5/8	16	35	16	655	298
BEB029H6	2FC-3.2Y	1 1/8	29	5/8	16	22	10	386	175
BEB030H6	2EC-3.2Y	1 1/8	29	5/8	16	22	10	437	199
BEB035H6	2DC-3.2Y	1 1/8	29	5/8	16	22	10	449	204
BEB040H6	2CC-4.2Y	1 1/8	29	5/8	16	22	10	452	205
BEB050H6	4FC-5.2Y	1 1/8	29	5/8	16	31	14	648	295
BEB060H6	4EC-6.2Y	1 3/8	35	5/8	16	31	14	652	296
BEB075H6	4DC-7.2Y	1 3/8	35	5/8	16	31	14	655	298
BEB030L6	2CC-3.2Y	1 1/8	29	1/2	13	22	10	436	198
BEB031L6	4FC-3.2Y	1 1/8	29	1/2	13	22	10	463	210
BEB039L6	4EC-4.2Y	1 1/8	29	1/2	13	22	10	479	218
BEB050L6	4DC-5.2Y	1 3/8	35	5/8	16	31	14	647	294
BEB060L6	4CC-6.2Y	1 3/8	35	5/8	16	31	14	658	299

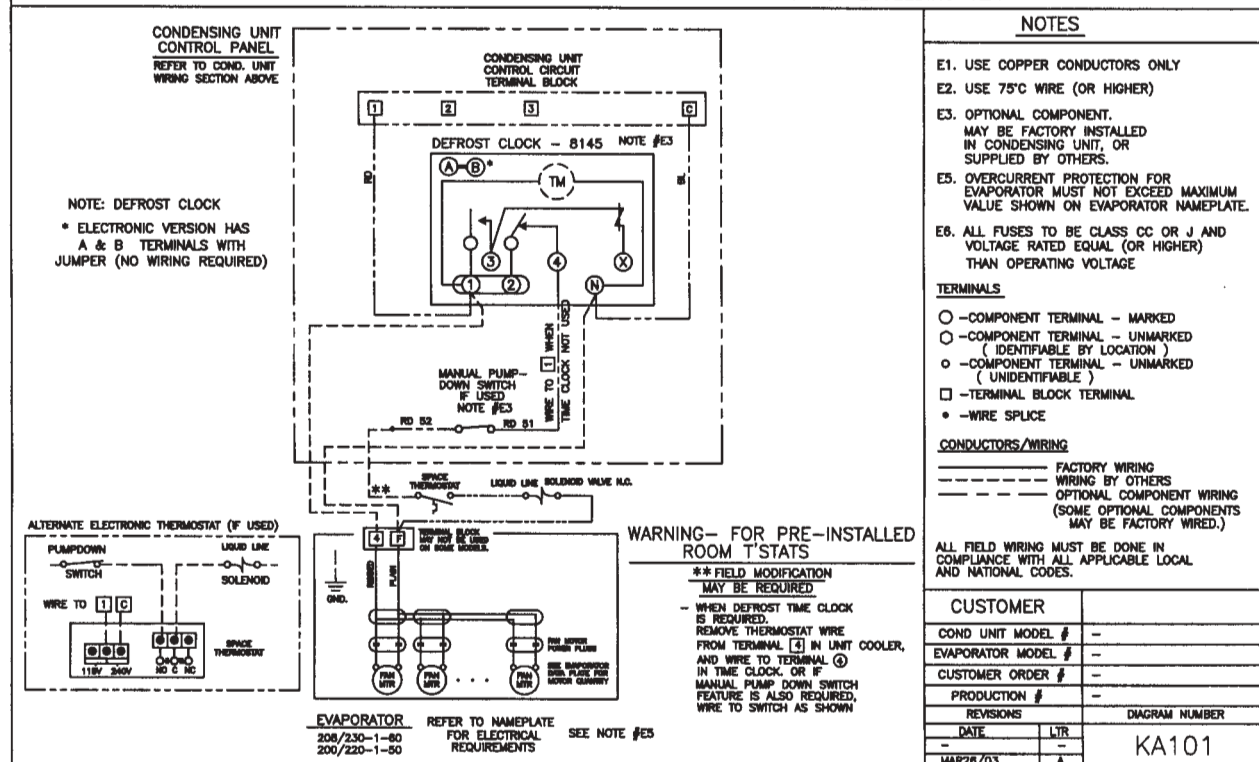
TYPICAL SYSTEM WIRING DIAGRAM

208-230/1/60



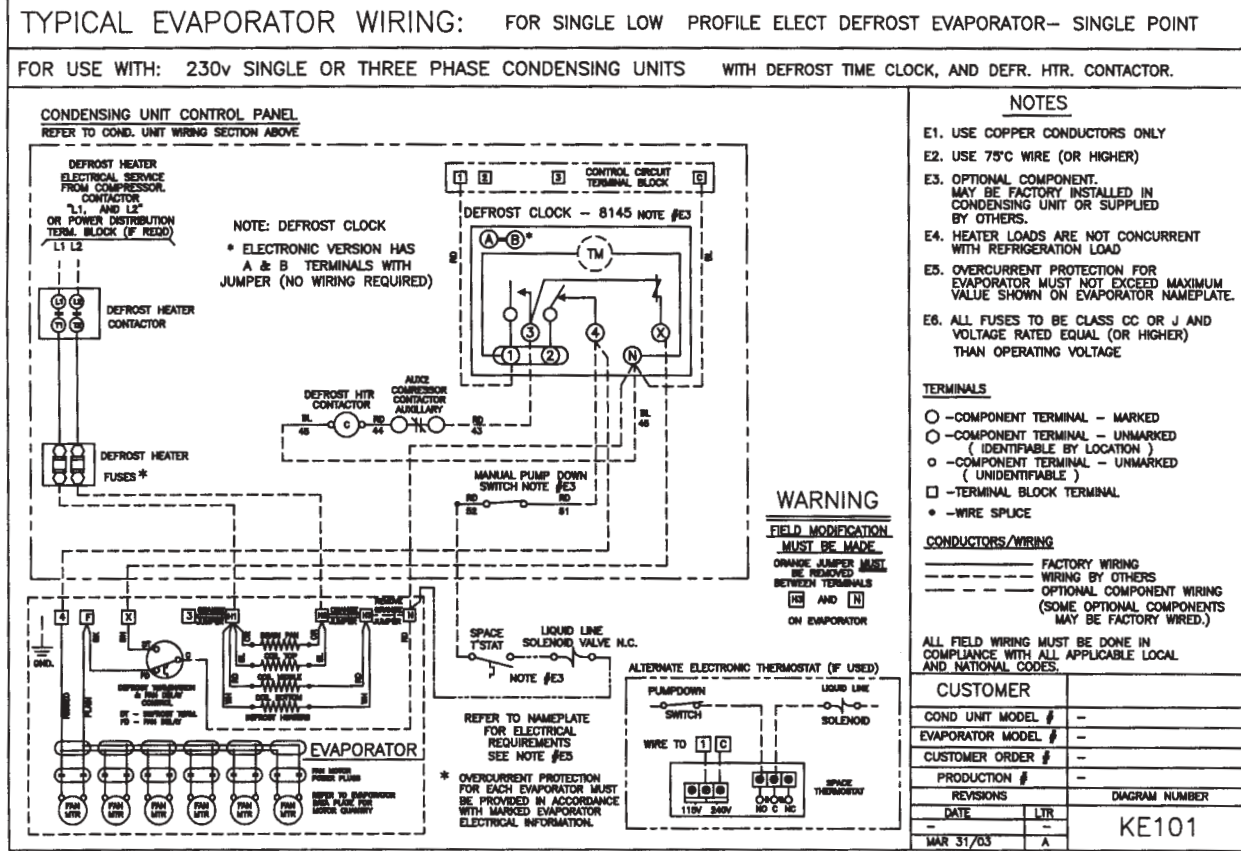
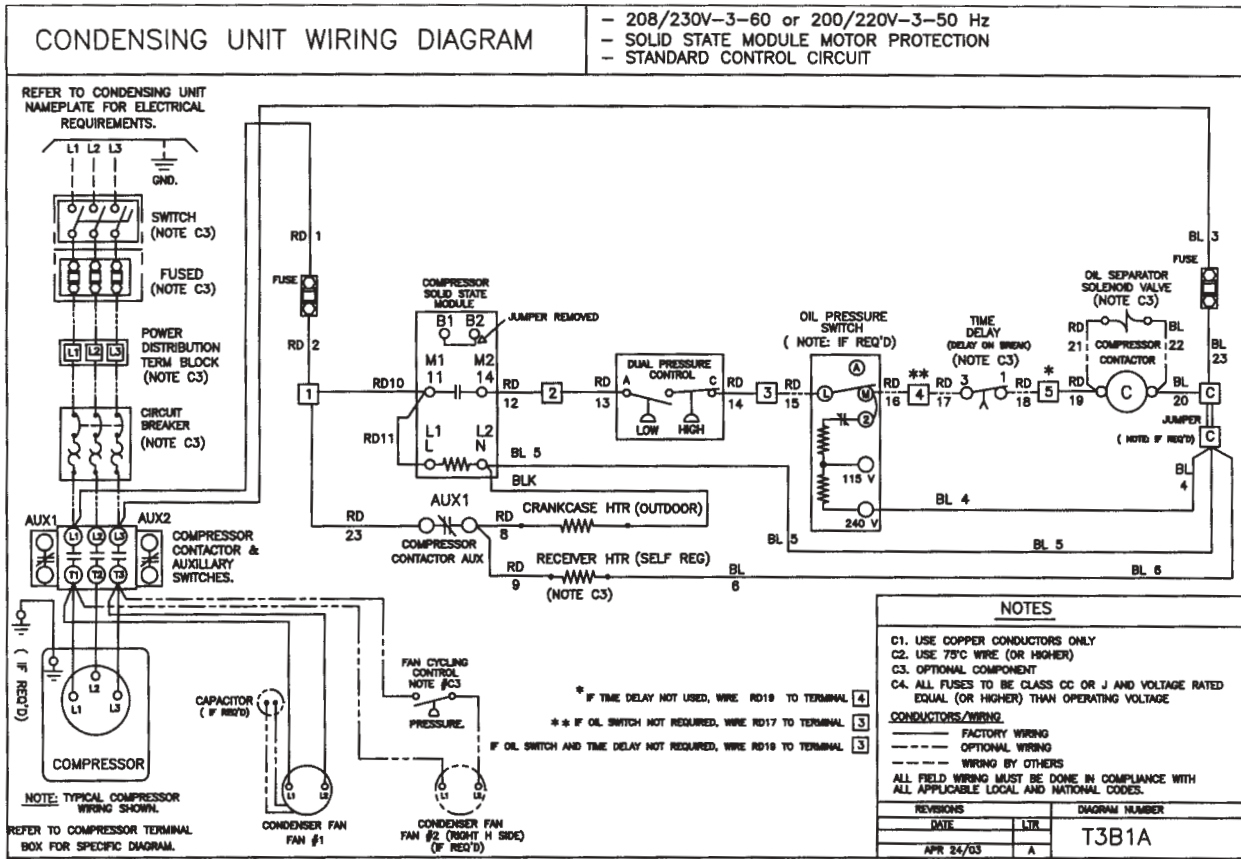
TYPICAL EVAPORATOR WIRING: FOR SINGLE AIR DEFROST EVAPORATOR— SINGLE POINT

FOR USE WITH: 208/230-1-60, 200/220-1-50 OR 208/230-3-60, 200/220-3-50 CONDENSING UNITS
 WITH OR WITHOUT DEFROST TIME CLOCK AND FOR TOTAL EVAP FAN AMPS NOT EXCEEDING 12A



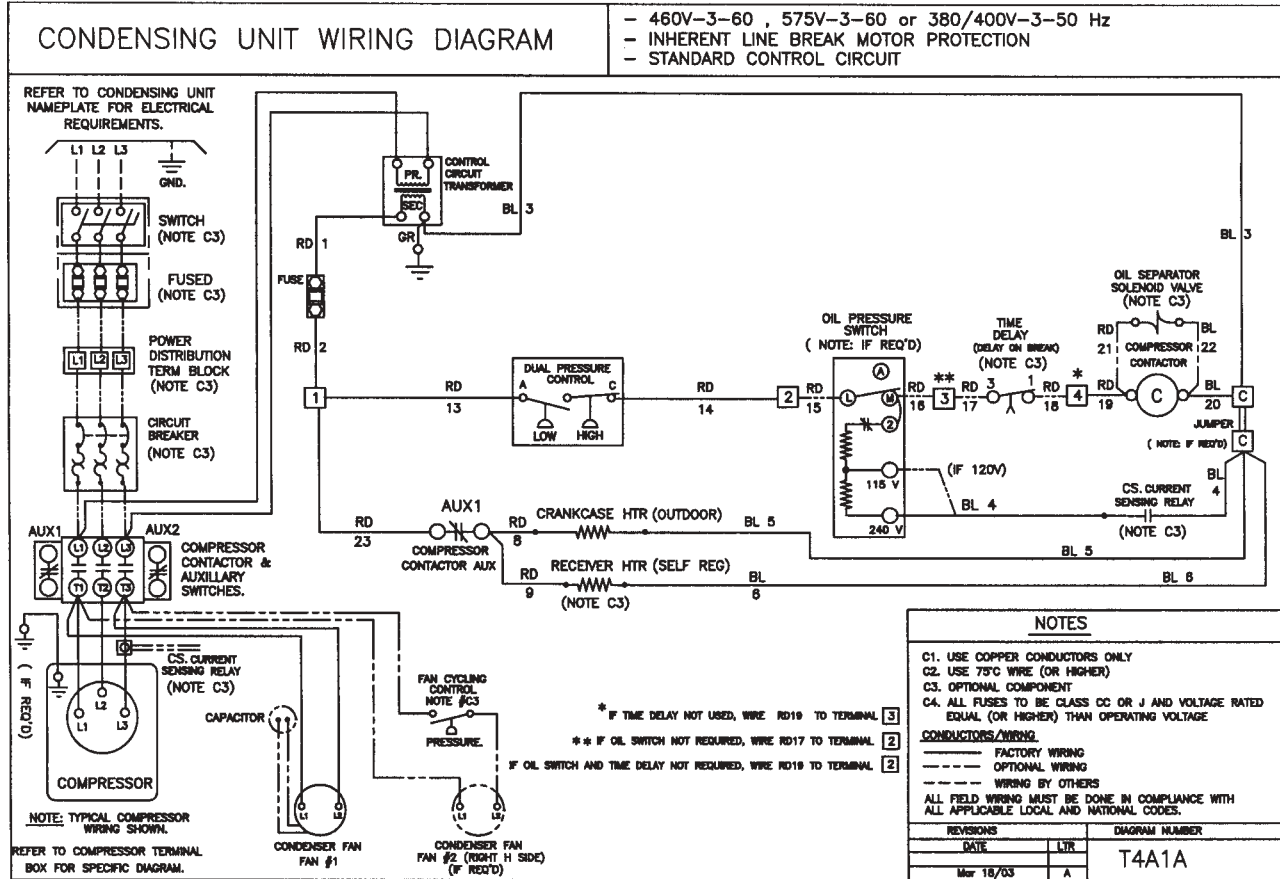
TYPICAL SYSTEM WIRING DIAGRAM

208-230/3/60



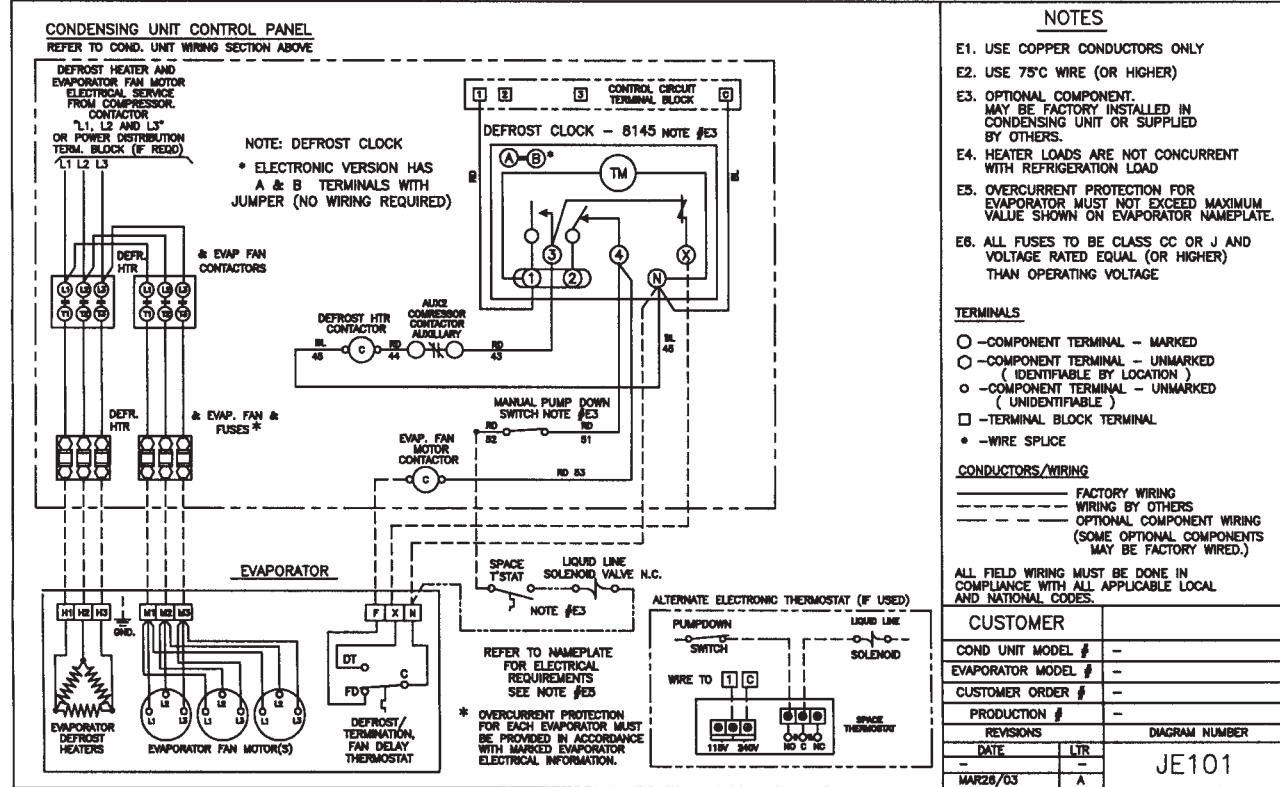
TYPICAL SYSTEM WIRING DIAGRAM

460/3/60, 575/3/60



TYPICAL EVAPORATOR WIRING: FOR SINGLE MED PROFILE ELECT DEFROST EVAPORATOR- SINGLE POINT

FOR USE WITH: THREE PHASE CONDENSING UNITS WITH DEFROST TIME CLOCK, & EVAP FAN AND DEF. HTR. CONTACTORS.



System	
Model Number	Date of Start-Up
Serial Number	Service Contractor
Refrigerant	Phone
Electrical Supply	Fax



General Sales, Parts & Service Manufacturing & Engineering
135 Little Nine Drive, Morehead City, NC 28557
252-240-2829 • 1-800-24-BALLY • FAX: 252-240-0384
e-mail: ballysales@ballyrefboxes.com • www.ballyrefboxes.com

DISTRIBUTED BY: _____

*Due to Manufacturer's policy of continuous product improvement,
the Manufacturer reserves the right to make changes without notice.*

