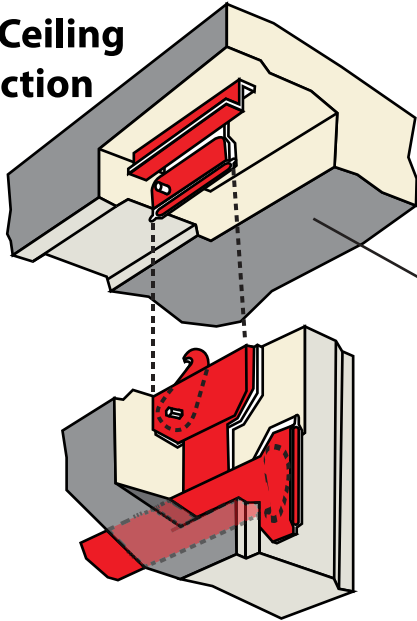


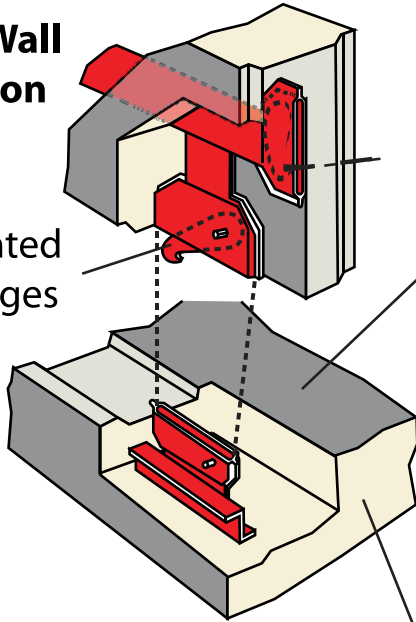
Bally® Speed-Lok Joining System

Wall-to-Ceiling Connection



Floor-to-Wall Connection

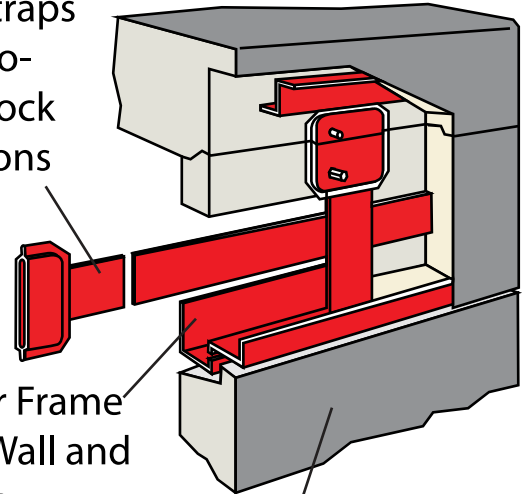
Cam-mounted
Hook engages
Steel Pin In
Adjoining
Panel



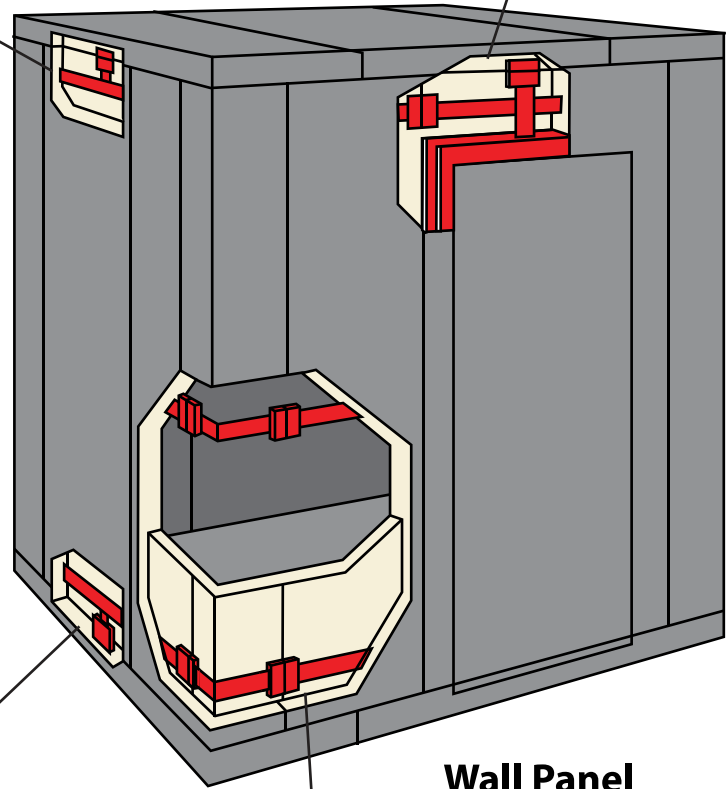
Foamed-in-place,
non ozone-depleting
urethane insulation

2" Steel Straps
for Lock-to-
Lock-to-Lock
Connections

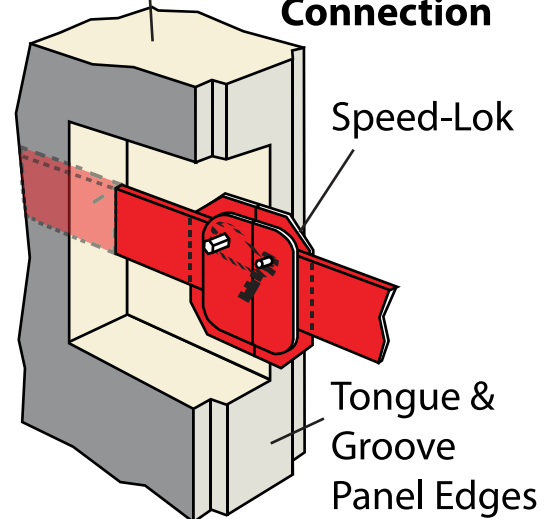
Door Frame Connection



All-Steel Door Frame
Connects to Wall and
Ceiling Panels



Wall Panel Connection



Speed-Lok

Tongue &
Groove
Panel Edges

1-800-24BALLY
sales@ballync.com