

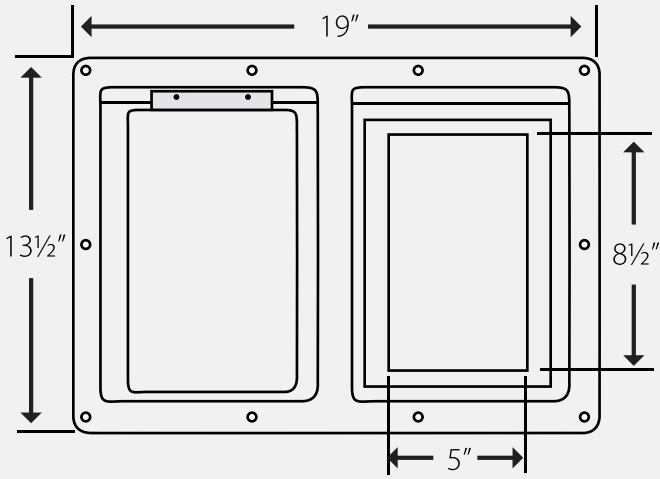
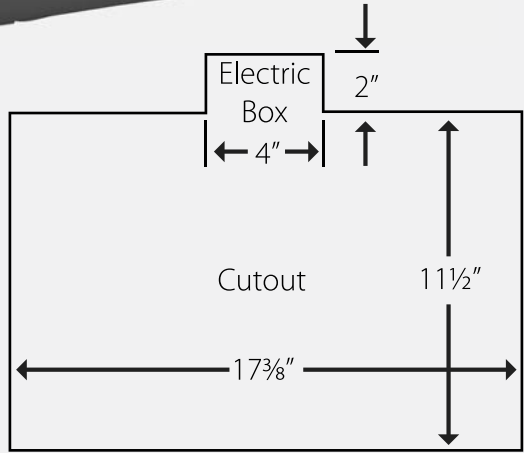
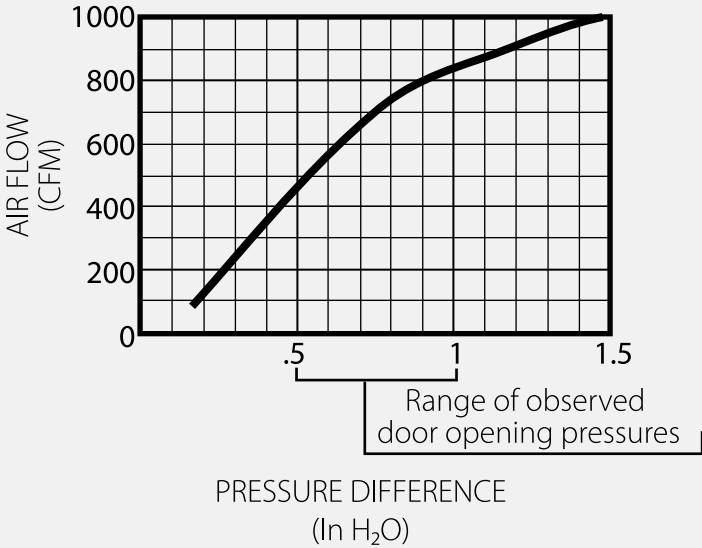


Pressure Relief Port

The Bally PRP-1

The Highest Flow Pressure Relief Port On the Market.

- Two doors allow flow in both directions.
- Single door allows more air flow than multiple small doors.
- Insulated Doors Loose Less Heat.
- 120 or 240 V Supply Voltage.
- Standard Model for 4" thick wall.
Adapters available for thicker walls
Available installed in Bally wall panels or loose.
Available in full stainless steel finish



Electrical Rating:

- 115 V ac
- .39 amps

Weight:

- Plastic Frame - 7 1/2 lbs.
- Stainless Steel- 12 lbs.
- Use a PRP-1 with freezer boxes with condensing units over 6 hp.

CONTACT US TODAY!

1-800-24BALLY

www.ballyrefboxes.com