

This drawing does not show the proper method of disassembly for repairs. Please refer to the instruction manual provided with ordered parts.

24" to 36" wide hinged Walk-In doors.

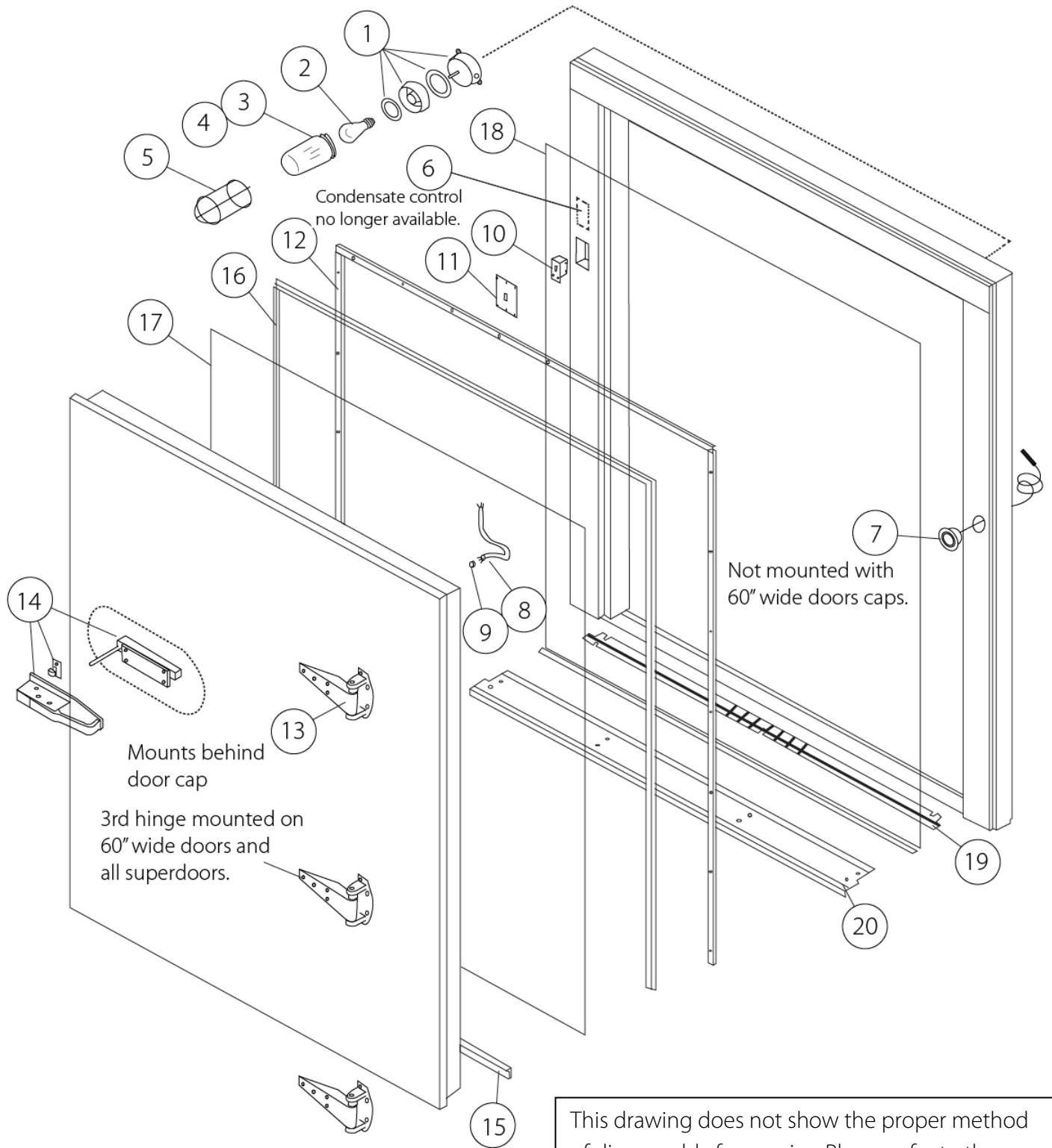
## Bally Most Common 24", 30", 34" & 36" Hinged Walk-In Door Replacement Parts

Key	Item#	Description
1	064356	VAPORPROOF LIGHT
2	017250	BULB
3	017255	LEXAN GLOBE
4	018590	MARINE GLOBE
5	017253	WIRE GUARD
6	N/A	CONDENSATE CONTROL SWITCH
7	018370	2" DIAL THERMOMETER WITH 4' CAP TUBE
	000213	2" DIAL THERMOMETER WITH 6" STEM
8	004291	CROSSOVER CORD
9	017308	CROSSOVER CORD BUSHING
10	017256	LIGHT SWITCH
11	017265	LIGHT SWITCH COVER PLATE
12	000230	BEGINNING 197601250 SATIN REVERSIBLE
13	004413	HINGE SHIM .032"
14	004414	HINGE SHIM .063"
15	000232	01000 LATCH
16	016610	24" WIPER GASKET
	016614	30" WIPER GASKET
	016611	34" WIPER GASKET
	054028	36" WIPER GASKET
17	016543	24" GASKET
	017402	30" GASKET
	016546	34" GASKET
	054117	36" GASKET
18	024826	24" CAP HEATER
	024828	30" CAP HEATER
	024830	34" CAP HEATER
	024832	36" CAP HEATER
19	004887	24" TOP DOOR STRIKE
	004888	30" TOP DOOR STRIKE
	004889	34" TOP DOOR STRIKE
	051883	36" TOP DOOR STRIKE
	047843	66" SIDE DOOR STRIKE
	047844	78" SIDE DOOR STRIKE
	047845	84" SIDE DOOR STRIKE
20	024749	24" FIBER BRAID FRAME HEATER
	015818	30" FIBER BRAID FRAME HEATER
	024914	34" & 36" FIBER BRAID FRAME HEATER
	088083	34" ALUMINUM BRAID FRAME HEATER
	089060	36" ALUMINUM BRAID FRAME HEATER
21	004417	24" HARDBOARD
	004420	30" HARDBOARD
	004418	34" HARDBOARD
	051890	36" HARDBOARD
22		STAINLESS STEEL STEPPLATE CONSULT FACTORY

MODEL NUMBERS MAY LOOK LIKE THIS:

2478 3078 3478 3678

(lengths may vary)



This drawing does not show the proper method of disassembly for repairs. Please refer to the instruction manual provided with ordered parts.

42" to 60" wide hinged Walk-In doors.

## Bally Most Common 42", 48", & 60" Door Replacement Parts

<b>Key</b>	<b>Item#</b>	<b>Description</b>
1	064356	VAPORPROOF LIGHT
2	017250	BULB
3	017255	LEXAN GLOBE
4	018590	MARINE GLOBE
5	017253	WIRE GUARD
6	N/A	CONDENSATE CONTROL SWITCH
7	000213	2" DIAL THERMOMETER WITH 6" STEM
8	004291	CROSSOVER CORD
9	017308	CROSSOVER CORD BUSHING
10	017256	LIGHT SWITCH
11	017265	LIGHT SWITCH COVER PLATE
12	004890	42" TOP STRIKE
	004891	48" TOP STRIKE
	004892	60" TOP STRIKE
	047843	66" SIDE STRIKE
	047844	78" SIDE STRIKE
	047845	84" SIDE STRIKE
13	016565	D69B-2 HINGE SATIN FINISH
14	016558	D60 LATCH SATIN FINISH
15	016612	42" WIPER GASKET
	016612	48" WIPER GASKET
	016613	60" WIPER GASKET
16	032997	42" GASKET
	016548	48" GASKET
	016549	60" GASKET
17	024835	42" DOOR CAP HEATER
	024839	48" DOOR CAP HEATER
	024801	60" DOOR CAP HEATER
18	015819	42" DOOR FRAME HEATER
	015835	48" DOOR FRAME HEATER
	015836	60" DOOR FRAME HEATER
19	051949	42" HARDBOARD FOR FRAME HEATER
	004421	48" HARDBOARD FOR FRAME HEATER
	004419	60" HARDBOARD FOR FRAME HEATER
20		STAINLESS STEEL STEPPLATE CONSULT FACTORY

NOTE: the exploded door drawing does not show the proper method of disassembly for repairs.  
Please see the instruction sheets provided with the parts for proper replacement methods.

**Contact 1-800-24BALLY if you have any questions.**